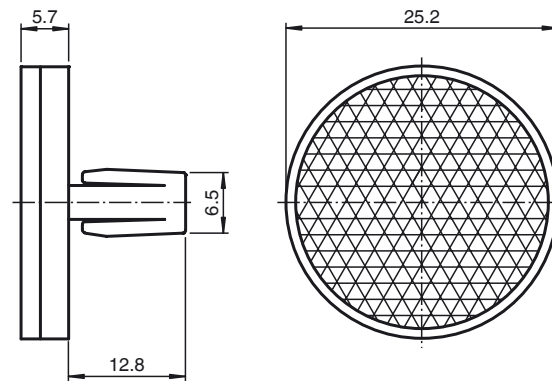




## Dimensions



### Model Number

**REF-CLIP25**

Reflector, round  $\varnothing$  25.2 mm, snap-in

### Features

- Simple installation with snap-in fastener

## Technical data

### General specifications

Construction type circular

### Ambient conditions

Ambient temperature -20 ... 85 °C (-4 ... 185 °F)

### Mechanical specifications

Material PMMA/ABS

Dimensions Diameter: 25.2 mm

Mounting Snap-in