

## Metal Case Draw Wire Potentiometer

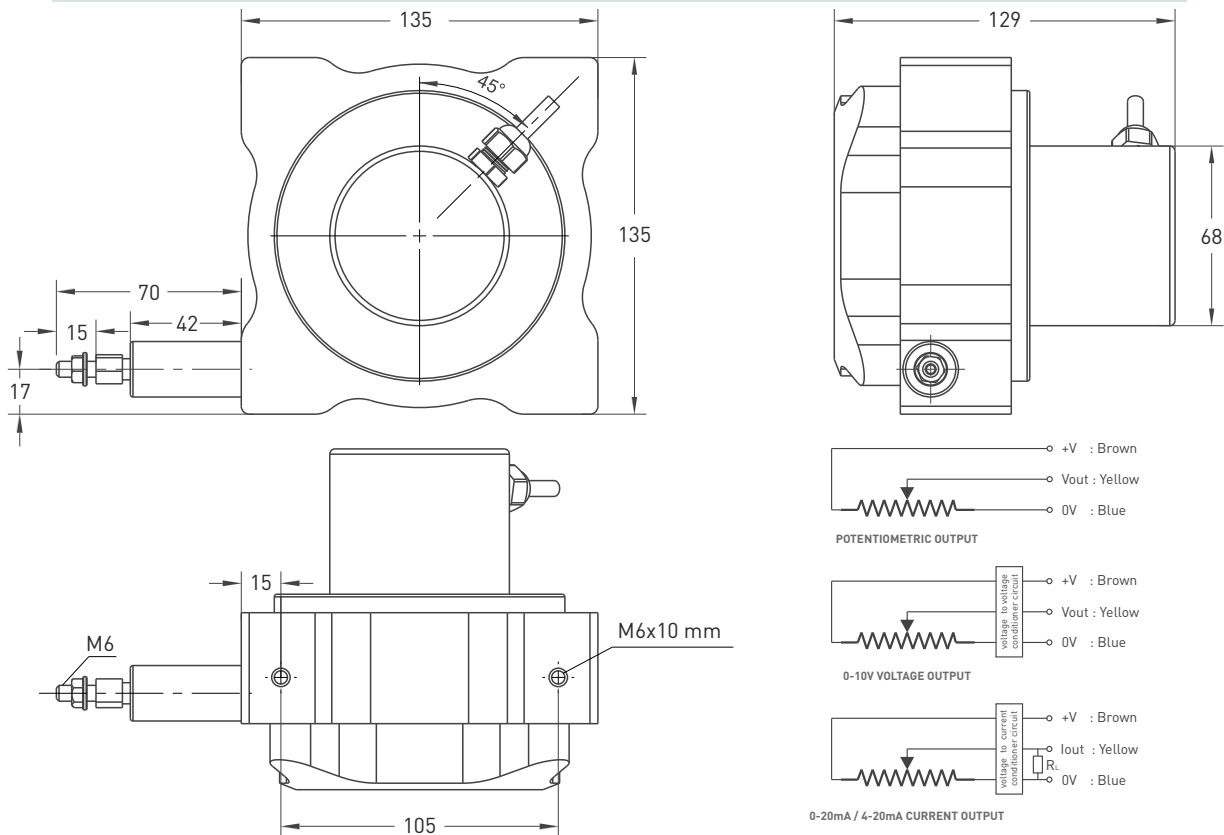


- Measuring strokes 3500 ... 8250 mm
- 5 kOhm / 10 kOhm resistive type or 0-10 V, 4-20 mA, 0-20 mA internal electronic circuit
- Easy mounting

### Technical Specifications

Type of measurement	Resistive
Linearity	0,5%
Measurement stroke	3500 ... 8250 mm
Output signal type	Voltage divider
Output type	Resistive output, 0 - 10 V, 0 - 20 mA or 4 - 20 mA
Supply voltage	24 VDC max., 15 - 30 V (voltage / current output)
Electrical connections	2,5m cable (standard)
Max. speed	1 m/s
Case material	Aluminium
Weight	< 2200 gr.
IP degree	IP 65
Operating temperature	-20°C ... +80°C
Storage temperature	-30°C ... +90°C

### Mechanical Specifications



Model	Case type	Measurement stroke	Linearity	Output	Connector / Cable	Cable output
DWPM	3	8250	D	5K	2M5	R
DWPM	3	3500 mm 4000 mm 4500 mm 5000 mm 5500 mm	D: 0,5%	5K: 5 Ω 10K: 10 Ω V10: 0 - 10 V I 4 : 4 - 20 mA I 20: 0 - 20 mA	2M5: 2,5 metre kablo 5M : 5 metre kablo 8M : 8 metre kablo 10M: 10 metre kablo	R: Radial