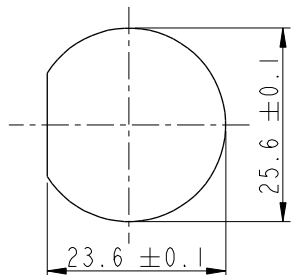
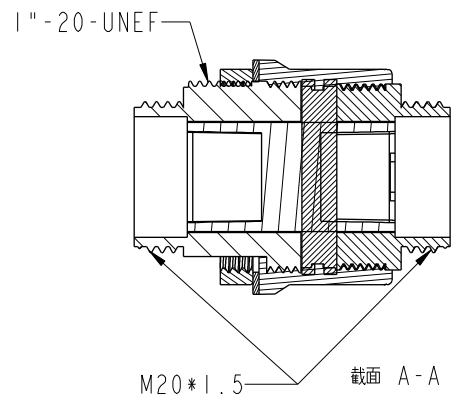
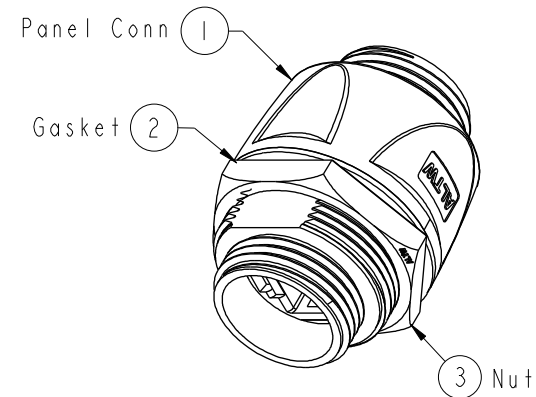
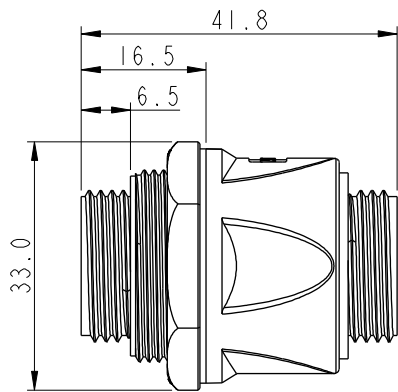
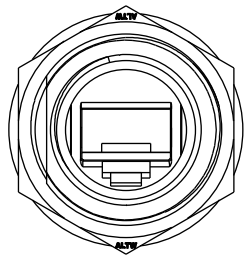
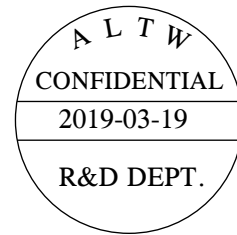


REV.	ECN NO.	DATE	SIGN	DESCRIPTION
B	LEN14A0093	2014/10/08	Jinhai	Delete CAP-WBGFSPCI
C	CI90405	2019/03/19	Ruru	Modify Note



Panel Cut-out



- Note: \triangle
- * $\text{\textcircled{C}}$ Important Dimension To Check
 - * Waterproof Rate: IP67, Unmated
 - * Panel Conn: Thermoplastic, Black
 - * Use With Waterproof Cap Maximum Panel Thickness: 3.5mm
 - * One Set Unassembled In One PE Bag

UNIT: mm		
TOLERANCE	.X ±0.25	
.XX	±0.1	
.XXX	±0.05	
ANGLES	±1°	

TITLE RJ45 D SIZE DOUBLE SCREW PANEL F CONN F PIN			
SCALE	SIZE	SHEET	OF
1:1	A4	1	1
REV.	WC-REV.	$\text{\textcircled{C}}$: Inspection item	
C	A.9		

Amphenol LTW
安費諾亮泰企業股份有限公司

ITEM NO.	RDP-00PFFH-SCU7001	DRAWN BY	Ruru	DATE	2019-03-19
DWG NO.	RDP-00PFFH-SCU7001	CHECKED BY	Rita	DATE	2019-03-19
CUSTOMER	ALTW	APPROVED BY	Max	DATE	2019-03-19

THIS DOCUMENT IS SUBJECT TO CHANGE WITHOUT NOTICE. IT IS CONFIDENTIAL AND A PROPERTY OF Amphenol LTW. DISCLOSURE TO THIRD PARTY HAS TO BE AUTHORIZED BY Amphenol LTW.