

MTP. | Latch clamps, heavy-duty series

Steel



- 1
- 2
- 3
- 4
- 5
- 6
- 7
- 8
- 9
- 10
- 11
- 12
- 13
- 14
- 15
- 16
- 17
- 18

MATERIAL

Black coated weldable steel.

PIN

Ground and hardened steel.

PULLING HOOK

Zinc-plated steel.

OSCILLATING PIN AND NUTS

Zinc-plated steel.

FEATURES AND APPLICATIONS

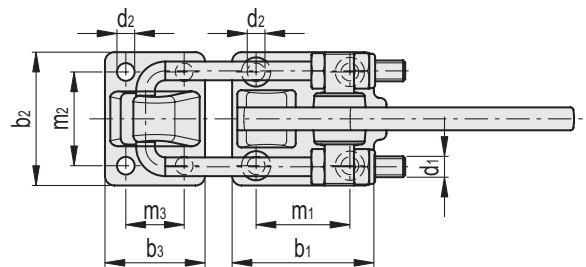
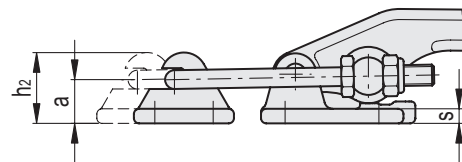
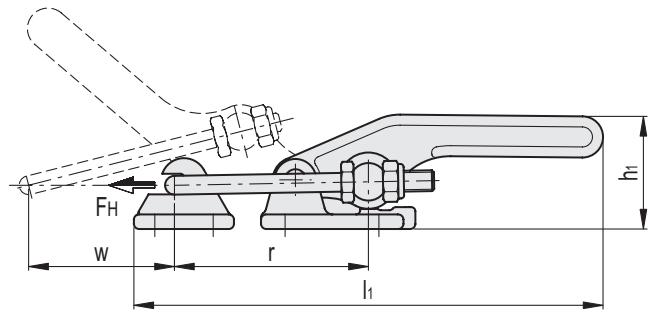
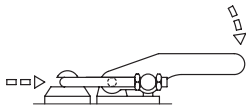
All articulated joints are lubricated with special grease.

MTP clamps ensure tight closing of any cover; they are suitable for use with high resistant torque thanks to high mechanical resistance of materials.

The position of the pulling hook can be adjusted in length according to the specific applications.

ACCESSORIES ON REQUEST

TRU: U-shaped pulling hooks of various dimensions (see page).



Code	Description	a	b1	b2	b3	d1	d2	h1	h2	l1	m1	m2	m3	r	s	Stroke w	FH [N]*	$\Delta\phi$
GG.AL518	MTP.1700-T2	21	68	64	48	M10	8.5	55	34	226	45	45	28	94+106	7	54+58	17000	1085
GG.AL522	MTP.4000-T2	27	85	80	60	M12	10.5	68	42	282	57	57	35	102+124	9	62+65	40000	2070

Toggle and fastening clamps

* Holding force.