

Features

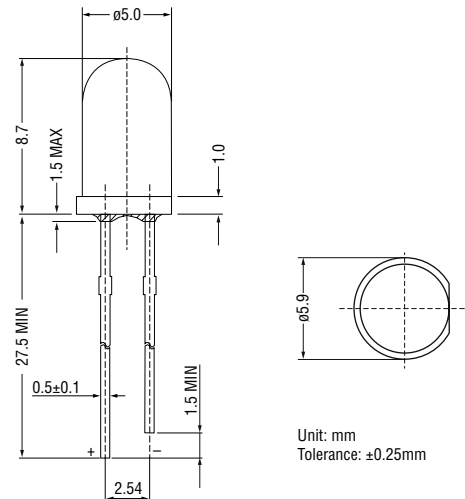
- High Luminous LEDs
- 5mm Standard Directivity
- Superior Weather-resistance
- UV Resistant Epoxy
- Water Clear

Application

- Automotive Dashboard Lighting
- Money Detector
- Back Lighting
- Other Lighting



Outline dimensions:

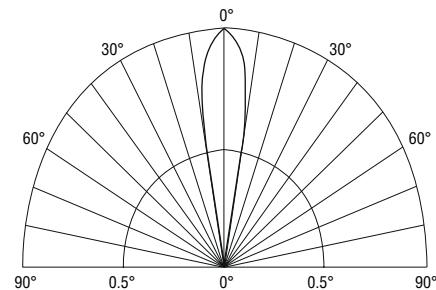


Absolute maximum ratings (Ta = 25°C)

Item	Symbol	Value	Unit
DC Forward Current	I_F	30	mA
Pulse Forward Current*	I_{FP}	100	mA
Reverse Voltage	V_R	5	V
Power Dissipation	P_D	108	mW
Operating Temperature	T_{opr}	-30~+85	°C
Storage Temperature	T_{stg}	-40~+100	°C
Lead Soldering Temperature	T_{sol}	260°C/5sec	-

* Pulse width max. 10ms Duty ratio max. 1/10

Directivity:



Electrical - Optical characteristics (Ta = 25°C)

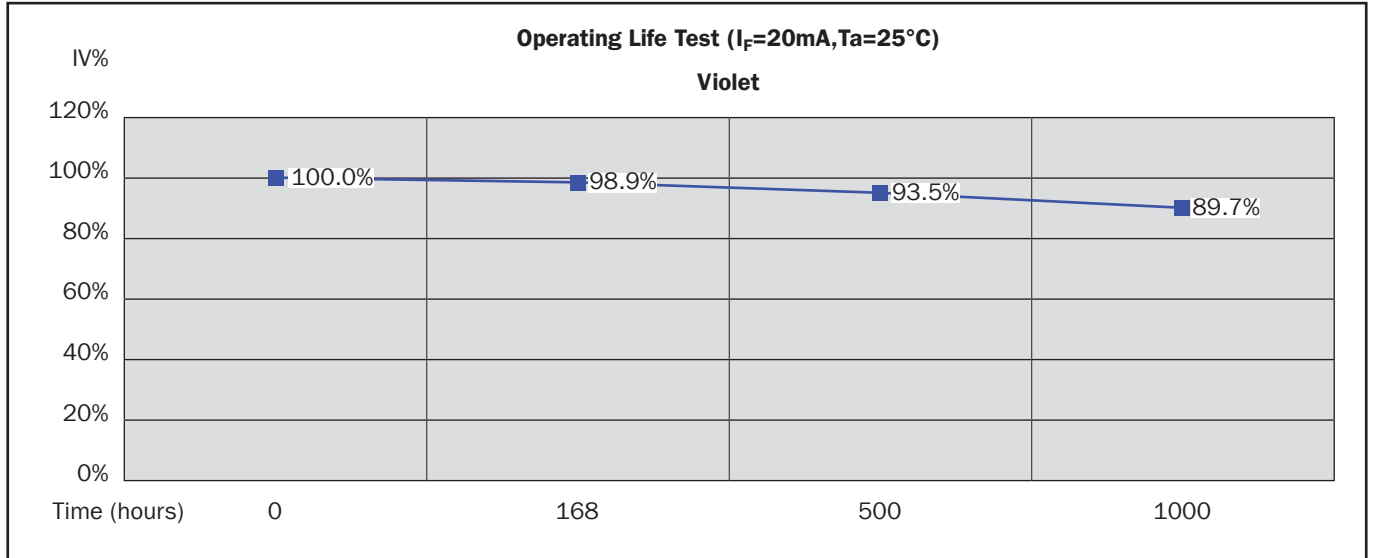
Item	Symbol	Condition	Min.	Typ.	Max.	Unit
DC Forward Current	V_F	$I_F=20mA$	2.8	3.2	3.6	V
DC Reverse Current	I_R	$V_R=5V$	-	-	10	μA
Dom. Wavelength	λ_D	$I_F=20mA$	-	380	-	nm
Radiation Power	P_R	$I_F=20mA$	15	30	-	mW
50% Power Angle	$2\theta_{1/2}$	$I_F=20mA$	-	20	-	deg

*1 Tolerance of measurements of peak wavelength is +1nm

*2 Tolerance of measurements of radiant flux is +15%

*3 Tolerance of measurements of forward voltage is $\pm 0.1V$

OPERATION LIFE TEST LUMINANCE RATE CURVE



- * Burn-in condition: 20mA
- * MTBF:5,000 hrs, 90% confidence (a failure is any LED which is open, shorted or fails to emit light)
- * The projected data is base on the feature of LED itself under normal operation conditions.
- * Any improper circuit design or external factors might cause a different result.