

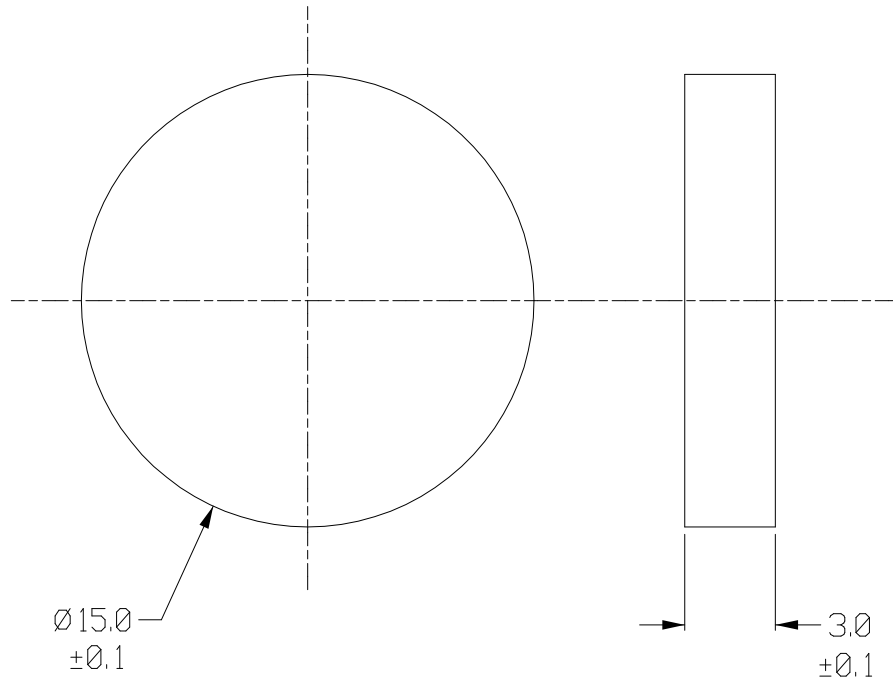
PART NO: DCNI 00677/N

DESCRIPTION: Sintered Neo Disc

GRADE: N35H

REV	DATE	C/N
1	11/3/04	
2	10/11/11	1060
3	5/2/13	1085

Supplied Nickel Plated and Magnetised
N Pole Indicated with Red Mark



DRAWN BY AJW

APPROVED

SUGGESTED SOURCES

IF IN DOUBT, ASK

ALL TOLS AS STATED

QWI N/A

MMG MagDev

© MMG MagDev Ltd.

3rd Angle Projection

DO NOT SCALE
All Dims In mm UOS

Q09 APP 4
ISS 6
C/NOTE 1085
DATE 02/07/12