

## Features:

- High luminous LEDs
- 3mm Round standard directivity
- Long lifetime operation
- Superior weather-resistance
- UV Resistant epoxy/white diffused type
- Bi-polar AC LED

## Applications

- Toys
- Audio
- Games
- Other lighting

## Absolute maximum rating (Ta=25°C)

Item	Symbol	Value		Unit
		RED	White	
DC Forward current	$I_F$	30	30	mA
Pulse forward current*	$I_{FP}$	100	100	mA
Reverse voltage	$V_R$	5	5	V
Power dissipation	$P_D$	78	108	mW
Operating temperature	$T_{opr}$	-30 to +85		°C
Storage temperature	$T_{stg}$	-40 to +100		°C
Lead soldering temperature	$T_{sol}$	260°C/5sec		-

\* Pulse width max. 10ms Duty ratio max. 1/10

## Electrical - Optical characteristics (Ta=25°C)

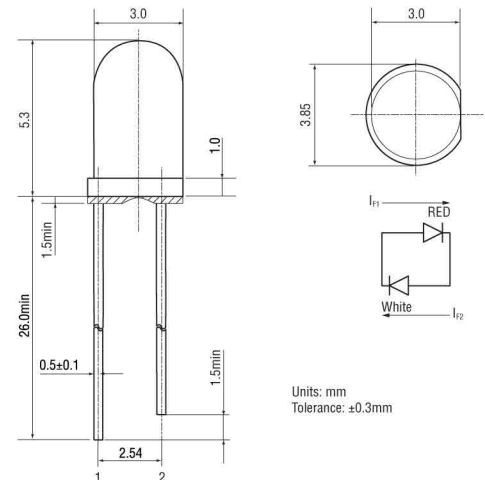
Item	Colour	Symbol	Condition	Min.	Typ.	Max.	Unit
DC Forward voltage	RED	$V_{F1}$	$I_{F1} = 20\text{mA}$	1.8	2.1	2.6	V
	White	$V_{F2}$	$I_{F2} = 20\text{mA}$	2.9	3.1	3.6	V
Dom. wavelength*	RED	$\lambda_{D1}$	$I_{F1} = 20\text{mA}$	620	625	630	nm
	White	CCT	$I_{F2} = 20\text{mA}$	10000K		-	-
Luminous intensity <sup>†</sup>	RED	$I_{v1}$	$I_{F1} = 20\text{mA}$	1200	1560	-	mcd
	White	$I_{v2}$	$I_{F2} = 20\text{mA}$	1560	2180	-	mcd
50% Power angle	RED	$2\theta_{1/2}$	$I_{F1} = 20\text{mA}$	-	30	-	deg
	White	$2\theta_{1/2}$	$I_{F2} = 20\text{mA}$	-	30	-	deg

\* Tolerance of dominant chromaticity is  $\pm 10\%$

<sup>†</sup> Tolerance of luminous intensity is  $\pm 15\%$



## Outline dimensions:



## Directivity:

