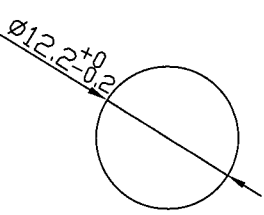
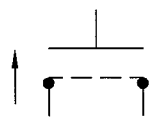
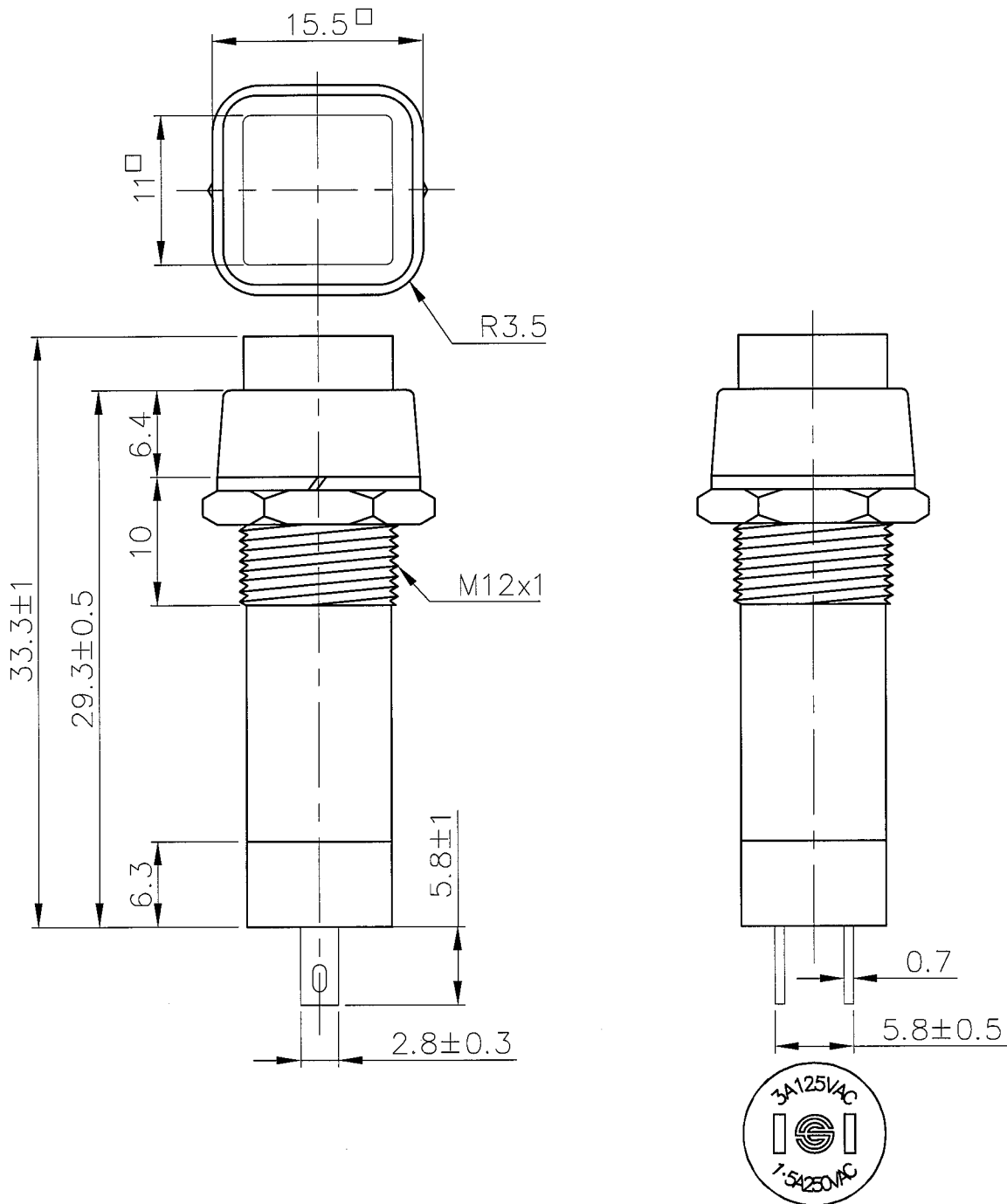
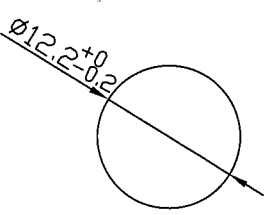
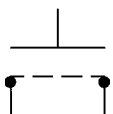


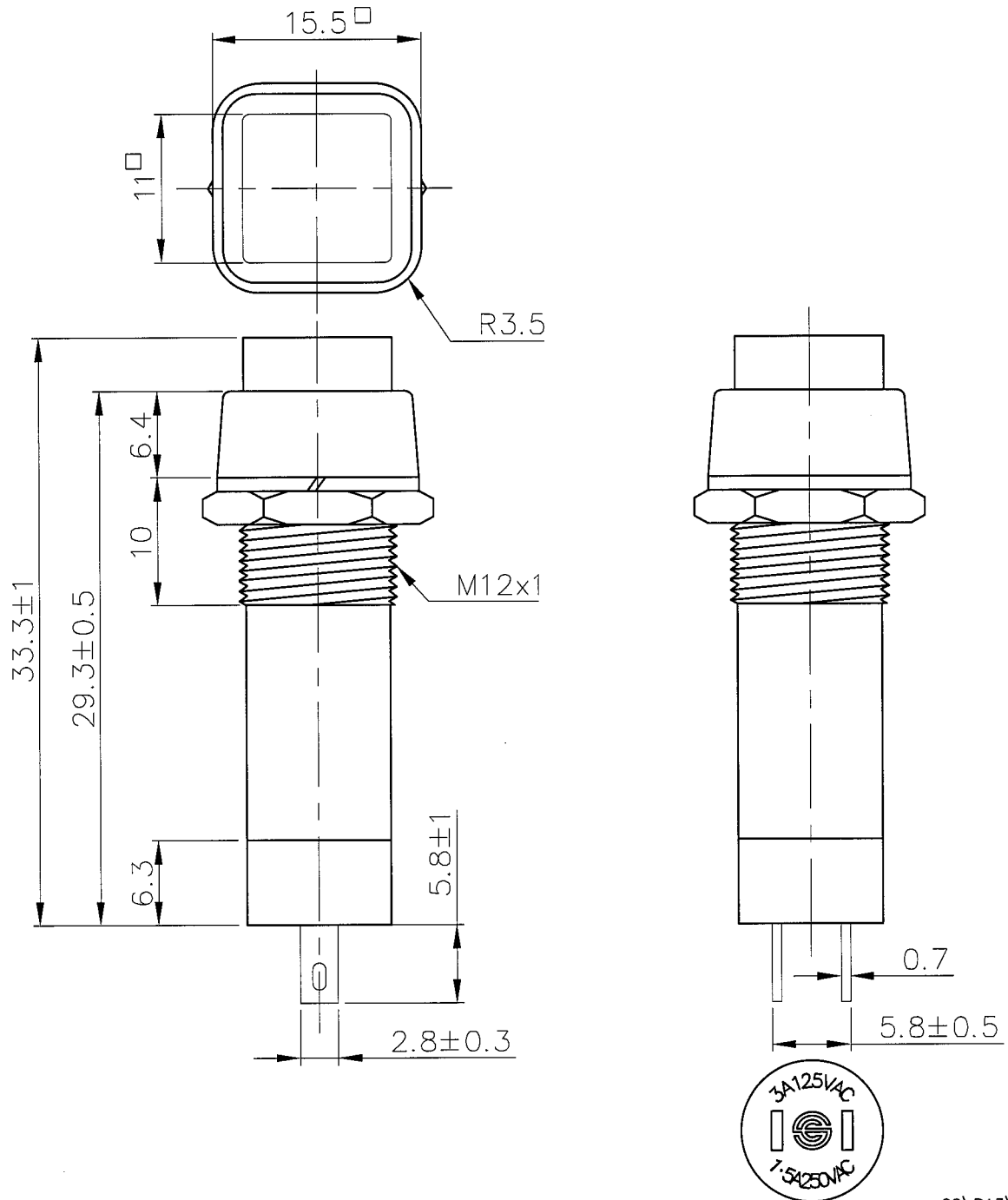
Rating	1.5A 250V / 3A 125V AC	Mounting Hole 	Circuit Diagram 
Contact R	50m ohm Max.		
Insulation R	DC 500V 100M ohm Min.		
Dielectric Strength	AC 1000V 1 minute		
Circuit	2P SPST OFF-(ON)		




C8\R13\R13-23A(A&A)

						△	
						△	
Date	Name	Descriptions				NO	
Drawing	Check	Approval	SCI No.		Model Name		
曹盈芳			Customer No.	275-618A	Model No.	R13-23A	
09/02/'05			Unit	mm	SHIN CHIN INDUSTRIAL CO., LTD.		

Rating	1.5A 250V / 3A 125V AC	Mounting Hole 	Circuit Diagram 
Contact R	50m ohm Max.		
Insulation R	DC 500V 100M ohm Min.		
Dielectric Strength	AC 1000V 1 minute		
Circuit	2P SPST ON-OFF		



C8\R13\R13-23B(A&A)

								△
								△
Date	Name	Descriptions						NO
Drawing	Check	Approval	SCI No.		Model Name			
曹盈芳			Customer No.	275-617A	Model No.	R13-23B		
09/02/'05			Unit	mm	 SHIN CHIN INDUSTRIAL CO., LTD.			