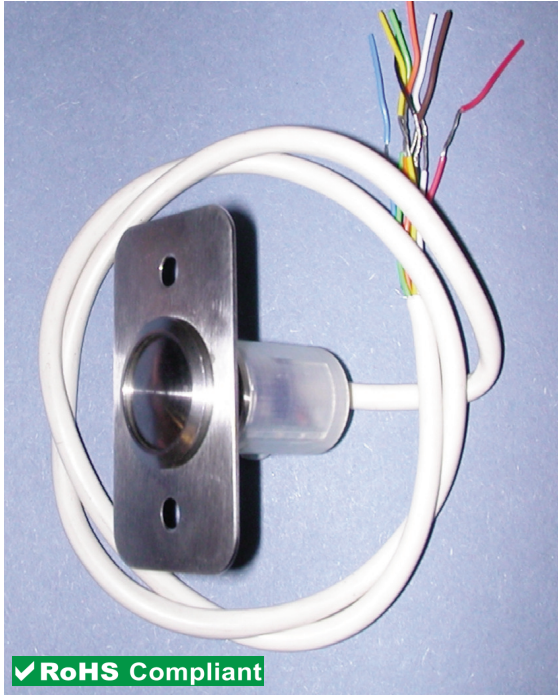
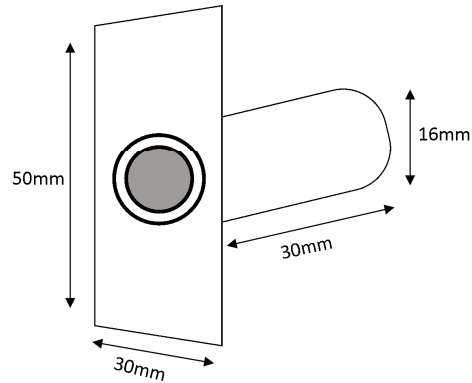


Final Exit Button- Flush Mount Metal Housing and Button
Part Number : G3FE002
Product Data Sheet

PICTURE



DIMENSIONS



Drawings not to scale
 All dimensions in mm nominal

DETAILS

- Stainless steel sealed switch.
- Integral buzzer.
- Sturdy metal push button with positive depression action.
- Selectable resistors.
- Vandal proof with security screws.
- Removal faceplate for limited space installations

Features Include	Specifications
------------------	----------------

- | | |
|--|--|
| <ul style="list-style-type: none"> ● Positive action button. ● Integral buzzer. ● Selectable resistors. ● Vandal proof with security screws. | <ul style="list-style-type: none"> ● BS EN50131-2-6 Approved. ● Grade 3. |
|--|--|

Did you know we also sell?



- Selectable resistors.
- Anti vandal screws.
- Anti vandal push button.

Rev. No.	Revision Note	Date	Signature
1	Datasheet	21-09-15	ML



As part of the company policy of continued product improvement, specifications may change without notice. Our sales office will be pleased to help you with the latest information on this product range and the details of our full design and manufacturing service. All products are supplied to our standard conditions of sale unless otherwise agreed in writing.

Phone : +44 (0)1255 862236 www.comus-intl.com Fax: +44 (0)1255 862014

©2015 Copyright Comus Europe Ltd, Unit 7, Rice Bridge Industrial Estate, Thorpe - Le - Soken, Essex, CO16 0HL, ENGLAND.
 USA: Comus International: +1 973 777 6900, Belgium: Comus Belgium BVBA: +32 (0)12 390400