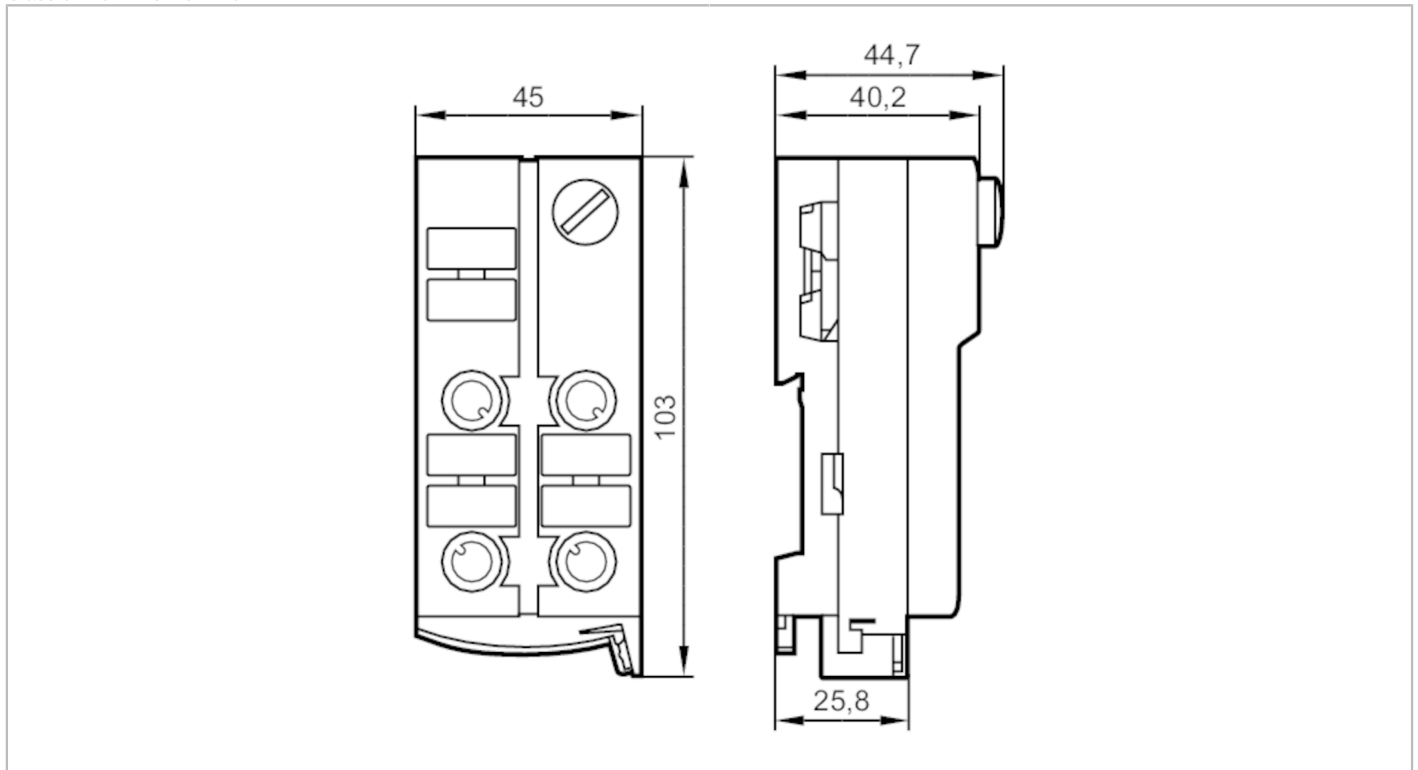


AC5216



AS-Interface ClassicLine module with quick mounting technology

ClassicLine 4AI C AUX IP67



Product characteristics

Number of inputs and outputs	Number of analogue inputs: 4
------------------------------	------------------------------

Electrical data

Operating voltage [V]	18...31.6 DC; ("supply class 2" to cULus)
Max. current consumption from AS-i [mA]	50
Reverse polarity protection	yes
Max. current load total [A]	2
Additional voltage supply [V]	16...30 DC; (AUX)

Inputs / outputs

Number of inputs and outputs	Number of analogue inputs: 4
------------------------------	------------------------------

Inputs

Number of analogue inputs	4; (Anschluss von 2- und 3-Draht-Sensoren)
Sensor supply of the inputs	AUX
Analogue input (current) [mA]	4...20
Max. voltage drop across load for nominal voltage [V]	10
Analogue inputs protected against short circuits	yes
Resolution of analogue input	12 bit

Accuracy / deviations

Measuring error [% of the final value]	0,5 *)
--	--------



AS-Interface ClassicLine module with quick mounting technology

ClassicLine 4AI C AUX IP67

Operating conditions		
Ambient temperature [°C]	-25...70	
Protection	IP 67	
Tests / approvals		
EMC	EN 50295	
	EN 61000-6-2	
	EN 61000-6-3	
MTTF [years]	105	
AS-i classification		
AS-i version	2.11 + 3.0	
Extended addressing mode possible	no	
AS-i profile	S-7.3.E	
AS-i I/O configuration [hex]	7	
AS-i ID code [hex]	3.E	
AS-i certificate	123501	
Mechanical data		
Weight [g]	188	
Type of mounting	AS-i flat cables directly connectable	
Materials	PA; piercing contacts: CuSn6 nickel-plated and tin-plated	
Displays / operating elements		
Display	operation	LED, green Voltage AS-i
	errors	LED, red
	function	LED, yellow channels AI1...AI4
Accessories		
Accessories (supplied)	lower part	
Accessories (optional)	Protective cap: M12, E73004	
Remarks		
Remarks	There is an electrical separation between AS-i and AUX and between AS-i and the analogue inputs. The actuator supply on pins 1 and 3 can be used to supply the sensors.	
Pack quantity	1 pcs.	
Electrical connection		
quick mounting technology for AS-i flat cable: ; three orientations possible		
1	Sensor supply +24V	
2	analogue input AI +	
3	Sensor supply 0V / analogue input AI-	
4	not used (n.c.)	
5	functional earth	
Connector: M12		

AC5216



AS-Interface ClassicLine module with quick mounting technology

ClassicLine 4AI C AUX IP67

