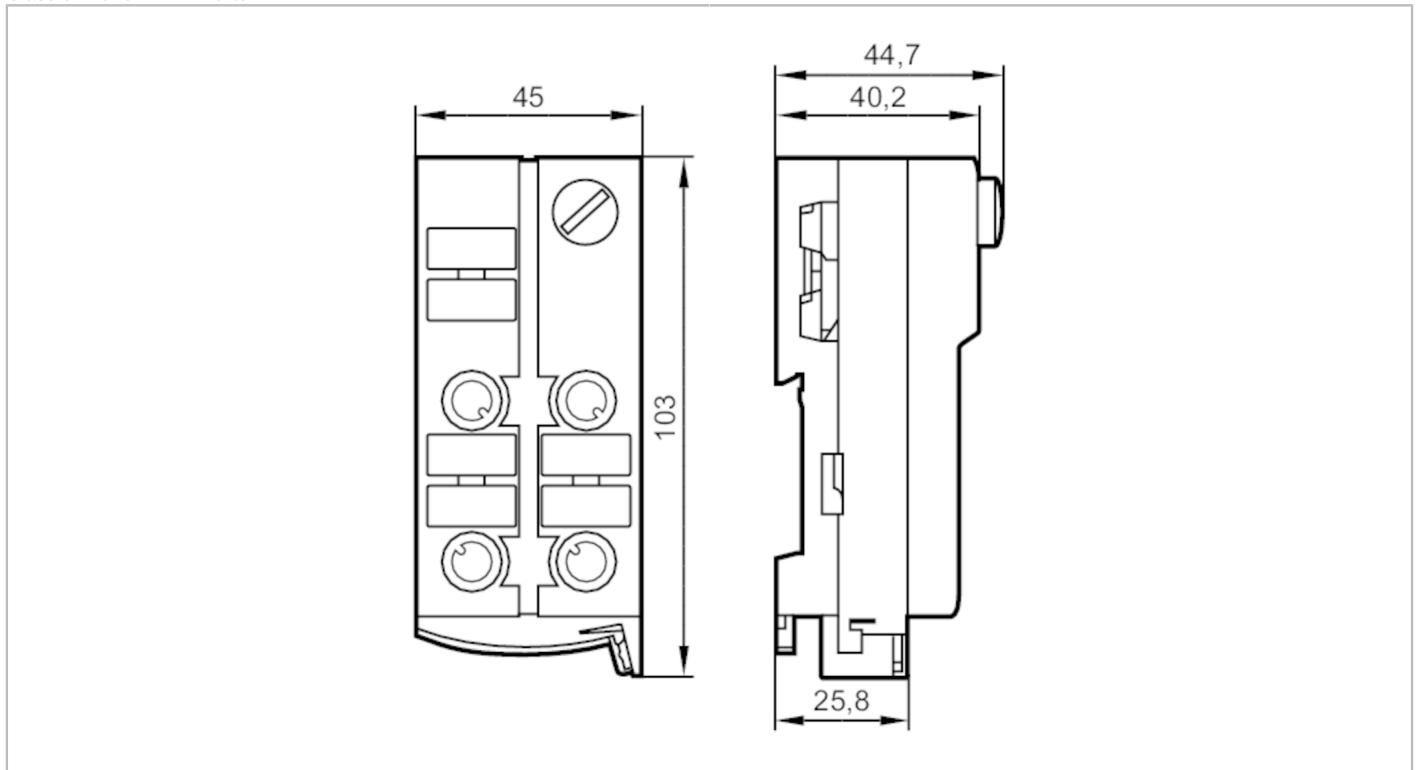


AC5225



AS-Interface ClassicLine module with quick mounting technology

ClassicLine IO-Link 2 Ports



Application	
Application	only for operation with AS-i masters with the profile M4
Electrical data	
Operating voltage [V]	26.5...31.6 DC
Max. current consumption from AS-i [mA]	300
Reverse polarity protection	yes
Additional voltage supply [V]	20...30 DC
Inputs	
Sensor supply of the inputs	AS-i
Digital inputs protected against short circuits	yes
Interfaces	
Communication interface	IO-Link; AS-i
IO-Link Device	
Min. process cycle time [ms]	2.3
IO-Link Master	
Transmission type	COM 1 / COM 2
IO-Link revision	1.0
Number of ports class A	2
Operating conditions	
Ambient temperature [°C]	-25...70
Protection	IP 67



AS-Interface ClassicLine module with quick mounting technology

ClassicLine IO-Link 2 Ports

Tests / approvals		
EMC	EN 50295	
MTTF [years]	149	
AS-i classification		
AS-i version	3.0	
AS-i addressing	addressing socket	
AS-i profile	S-7.5.5	
AS-i I/O configuration [hex]	7	
AS-i ID code [hex]	5.5	
AS-i certificate pending	yes	
Mechanical data		
Weight [g]	183	
Materials	PA; piercing contacts: CuSn6 nickel-plated and tin-plated	
Displays / operating elements		
Display	operation	PWR LED, green Voltage AS-i
	errors	LED, red
	switching status	LED, yellow DI/DO Port 1, Port 2
	communication	LED, green IO-Link Port 1, Port 2
	disturbed communication	LED, red Port 1, Port 2
Accessories		
Accessories (supplied)	lower part	
Accessories (optional)	Protective cap: M12, E73004	
Remarks		
Remarks	When the sensors and actuators are supplied from AS-i the load must not exceed a maximum of 200 mA.	
	There is an electrical connection between the sensor and AS-i.	
	operating voltage "supply class 2" according to cULus	
Pack quantity	1 pcs.	
Electrical connection		
quick mounting technology for AS-i flat cable: ; three orientations possible		
1	Sensor supply +24V (L+ in IO-Link)	
2	n.c.	
3	Sensor supply 0V (L- in IO-Link)	
4	DI / DO for IO-Link communication	
5	n.c.	
Connector: M12		