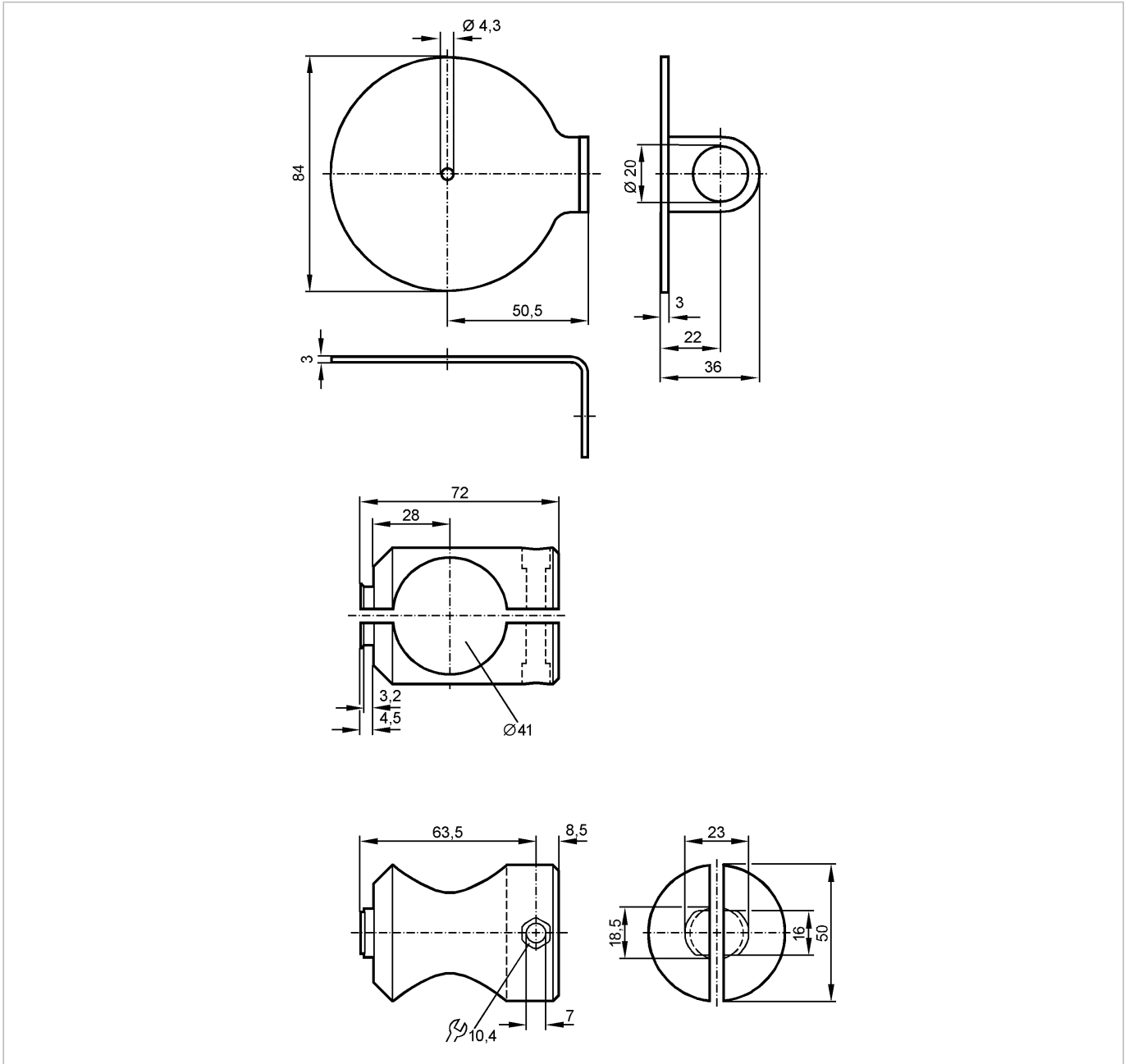


MOUNTING SET FOR REFLECTOR ROD

Accessories



Product characteristics

Mounting set

Clamp mounting

Mechanical data

Design

for reflector

Housing materials

fixture: stainless steel 316Ti / 1.4571; clamp: aluminium transparent anodised

Type of mounting

rod mounting \varnothing 40 mm

Weight [kg]

0.362

Remarks

Pack quantity [piece]

1