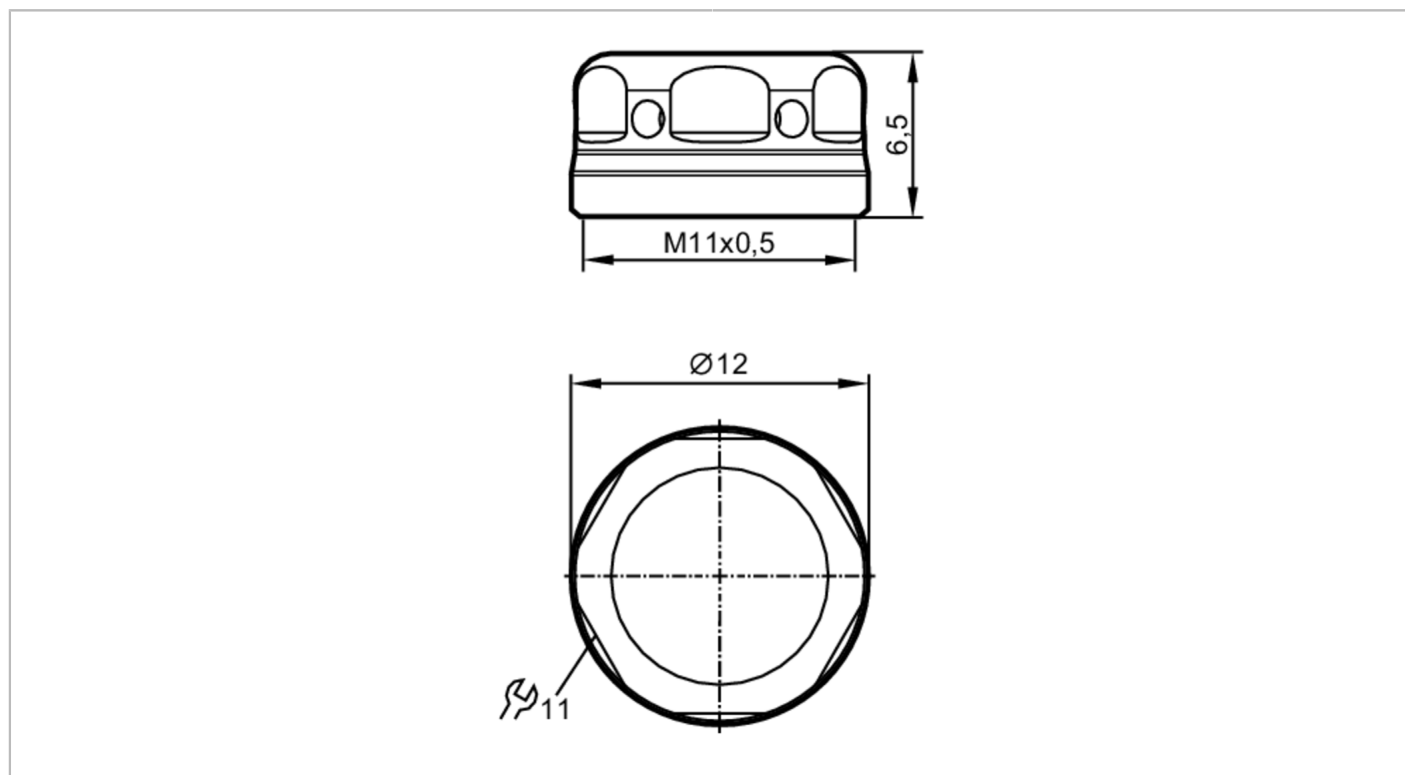


E30142



Filter cover for pressure sensors

EXCHANGE COVER FILTER SYSTEM



Mechanical data	
Weight [g]	9.6
Materials	stainless steel (1.4404 / 316L)
Tightening torque [Nm]	2.5...3.5; (recommended tightening torque)
Remarks	
Pack quantity	1 pcs.