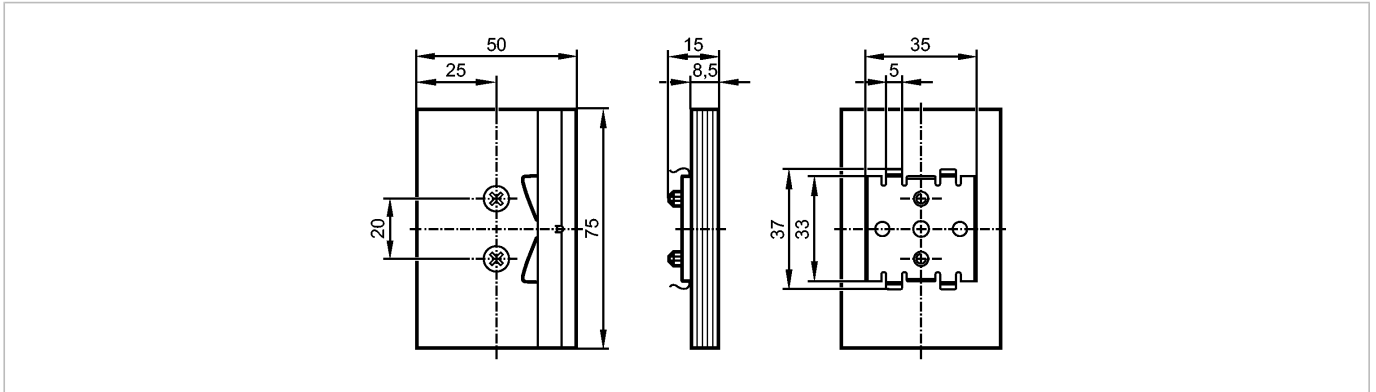


Mounting Set for AC2750 - AC2753

Accessories



Product characteristics	
Hutschienenhalter	
Mechanical data	
Design	for PCB module AC2750...53
Housing materials	screws: galvanised; DIN rail adapter: AlMgSi0.5 F22; mounting clip: C100S+QT galvanised
Weight [kg]	0.061
Accessories	
Accessories (included)	3M Doppelklebeband Typ 468 MP
Remarks	
Remarks	suitable for DIN rails TS35/7.5 and TS35/15 to EN 50022
Pack quantity [piece]	10