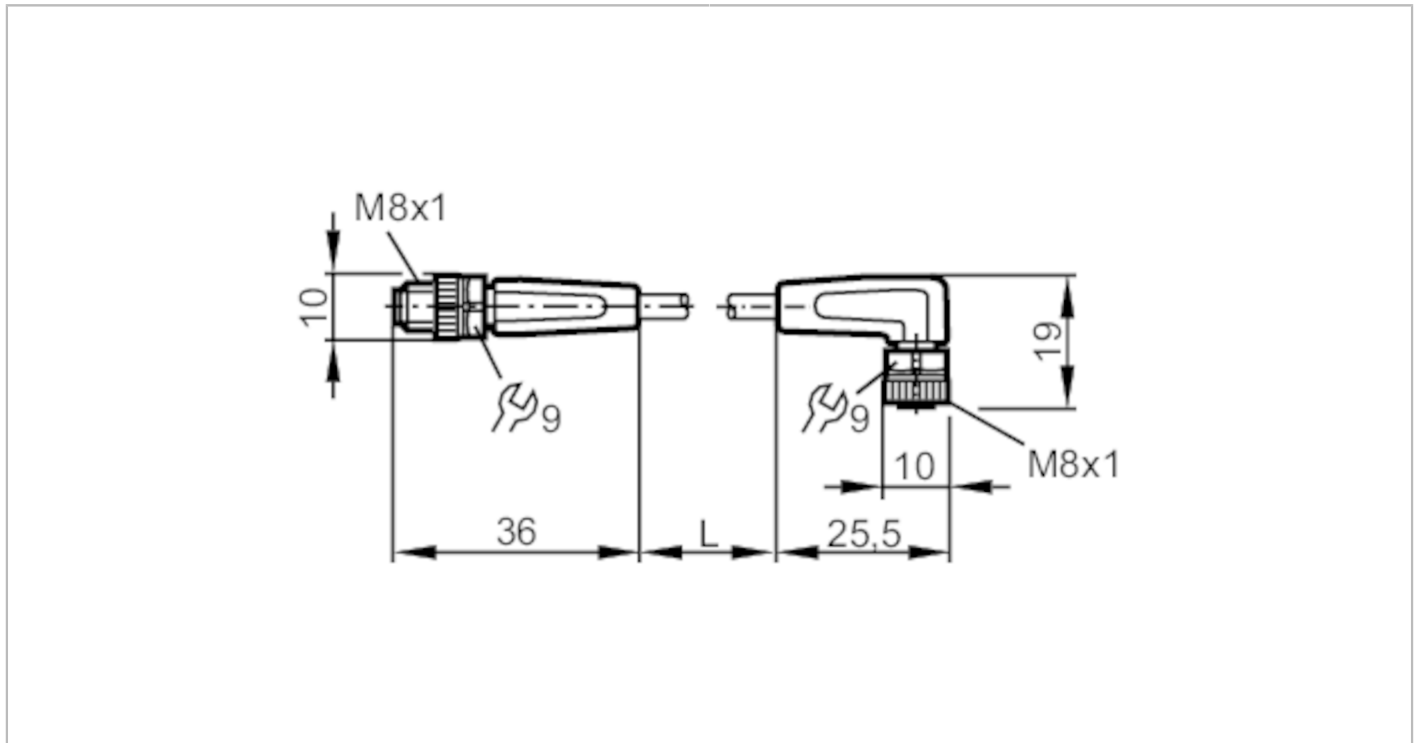


# EVW179



## Connection cable

VDOAF040SCS00,3T04STGF040SCS



Application		
Special feature		Free from silicone; Halogen-free; Gold-plated contacts; Drag chain suitability
Application		welding applications
Free from silicone		yes
Electrical data		
Operating voltage	[V]	< 50 AC / < 60 DC
Protection class		III
Max. current load total	[A]	3
Operating conditions		
Ambient temperature	[°C]	-25...90
Ambient temperature (moving)	[°C]	-25...90
Protection		IP 65; IP 67; IP 68; IP 69K
Tests / approvals		
UL approval	Ta	75 °C

# EVW179



## Connection cable

VDOAF040SCS00,3T04STGF040SCS

Mechanical data		
Weight [g]	25	
Dimensions [mm]	10 x 10 x 36	
Materials	housing: TPU orange; Sealing: FKM	
Material nut	brass, anti-spatter / brass, anti-spatter	
Drag chain suitability	yes	
Drag chain suitability	bending radius for flexible use	min. 10 x cable diameter
	travel speed	max. 3.3 m/s for a horizontal travel length of 5 m and max. acceleration of 5 m/s <sup>2</sup>
	bending cycles	> 5 Mio.
	torsional strain	± 180 °/m

Remarks	
Remarks	without label holders
Pack quantity	1 pcs.

## Electrical connection - plug

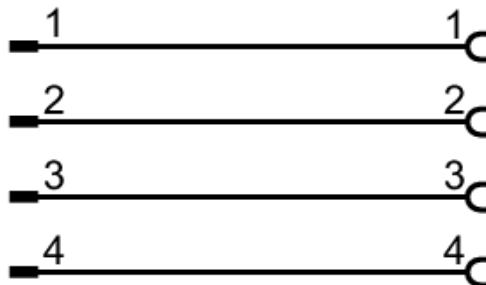
Connector: 1 x M8, straight; Locking: brass, anti-spatter; Contacts: gold-plated; Tightening torque: 0.3...0.5 Nm



## Electrical connection

Cable: 0.3 m, PUR, Halogen-free, grey, Ø 4.5 mm; not irradiated (can be recycled); resistant to welding sparks; 3 x 0.25 mm<sup>2</sup> (32 x Ø 0.1 mm )

## Connection



## Electrical connection - socket

Connector: 1 x M8, angled; Locking: brass, anti-spatter; Contacts: gold-plated; Tightening torque: 0.3...0.5 Nm

# EVW179



## Connection cable

VDOAF040SCS00,3T04STGF040SCS

