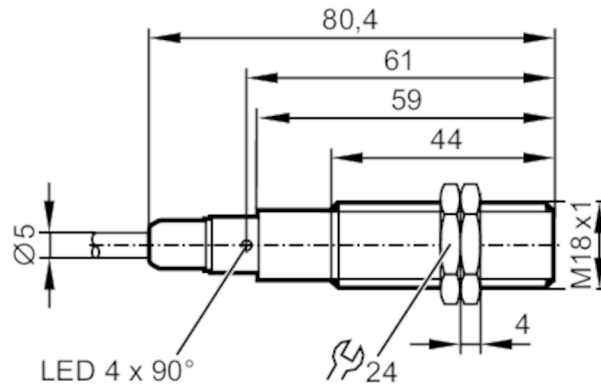




Diffuse reflection sensor with background suppression

OGH-DPKG/6M



Product characteristics

| | |
|-----------------|--------------------|
| Type of light | red light |
| Housing | threaded type |
| Dimensions [mm] | M18 x 1 / L = 80.4 |

Application

| | |
|--------------------|---------------------------|
| Special feature | Background suppression |
| Function principle | Diffuse reflection sensor |

Electrical data

| | |
|-----------------------------|------------|
| Operating voltage [V] | 10...36 DC |
| Current consumption [mA] | 25 |
| Protection class | II |
| Reverse polarity protection | yes |
| Type of light | red light |

Outputs

| | |
|--|-----------------------|
| Electrical design | PNP |
| Output function | dark-on mode |
| Max. voltage drop switching output DC [V] | 2.5 |
| Permanent current rating of switching output DC [mA] | 150; (200 (...60 °C)) |
| Switching frequency DC [Hz] | 1000 |
| Short-circuit protection | yes |
| Type of short-circuit protection | pulsed |
| Overload protection | yes |

OGH307



Diffuse reflection sensor with background suppression

OGH-DPKG/6M

| Detection zone | | |
|--|------------------|---|
| Range | [mm] | < 100; (white paper 200 x 200 mm 90% remission) |
| Range on white object (90 % remission) | [mm] | < 100 |
| Range on grey object (18 % remission) | [mm] | < 100 |
| Range on black object (6 % remission) | [mm] | < 100 |
| Range adjustable | | no |
| Max. light spot diameter | [mm] | 9 |
| Light spot dimensions refer to | | Range |
| Background suppression available | | yes |
| Operating conditions | | |
| Ambient temperature | [°C] | -25...80 |
| Protection | | IP 65; IP 67; IP 68; IP 69K |
| Tests / approvals | | |
| EMC | | EN 60947-5-2 |
| MTTF | [years] | 372 |
| Mechanical data | | |
| Weight | [g] | 267.3 |
| Housing | | threaded type |
| Dimensions | [mm] | M18 x 1 / L = 80.4 |
| Thread designation | | M18 x 1 |
| Materials | | housing: stainless steel (1.4404 / 316L); Sealing: EPDM |
| Lens material | | PMMA |
| Displays / operating elements | | |
| Display | switching status | 1 x LED, yellow |
| Accessories | | |
| Accessories (supplied) | | lock nuts: 2 x |
| Remarks | | |
| Remarks | | operating voltage "supply class 2" according to cULus |
| Pack quantity | | 1 pcs. |

OGH307



Diffuse reflection sensor with background suppression

OGH-DPKG/6M

Electrical connection

Cable: 6 m, PVC; 3 x 0.34 mm²

Connection



Core colours :

| | |
|------|-------|
| BK = | black |
| BN = | brown |
| BU = | blue |