

SIEMENS CONTACTOR SUPPRESSOR

RC, 230VAC/DC

230 V AC/DC
RC

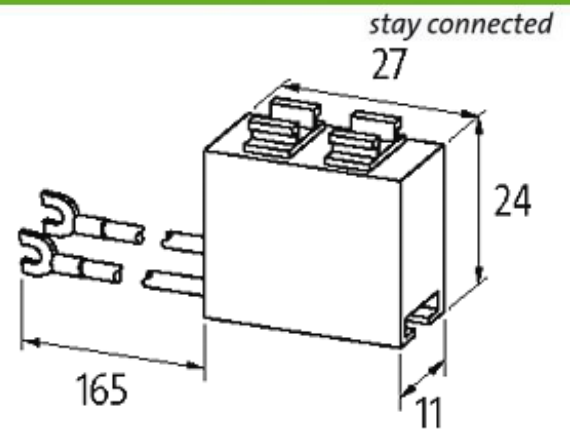
For other configurations and voltages, please inquire

[Link to Product](#)

Illustration



RC



Product may differ from Image

Approvals



Appropriate contactors

3 TH 3/4/8; 3 TF 30...45; 3 TB 40...3 TB 44

Technical Data

Damping factor	approx. 1.5 × UN
Material	Flame retardant plastic acc. to (UL 94)
Connection wires	self-securing cable forks

General data

Temperature range	-20...+70 °C
Dimensions H × W × D	11×27×24 mm

Commercial data

country of origin	CZ
customs tariff number	85363010
minimum order quantity	1