

M12 MALE 90° / M12 FEMALE 90°

PVC 5X0.34 black 0.3m

Male 90° to female 90°

M12 - M12, 5-pole

Art.-No. 7005 - M12 Lite - (plastic hexagonal screw) on request

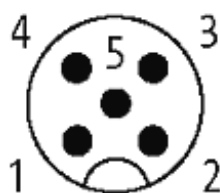
Plastic housings with good resistance against chemicals and oils. The resistance to aggressive media should be individually tested for your application. Further details on request. Further cable lengths on request.

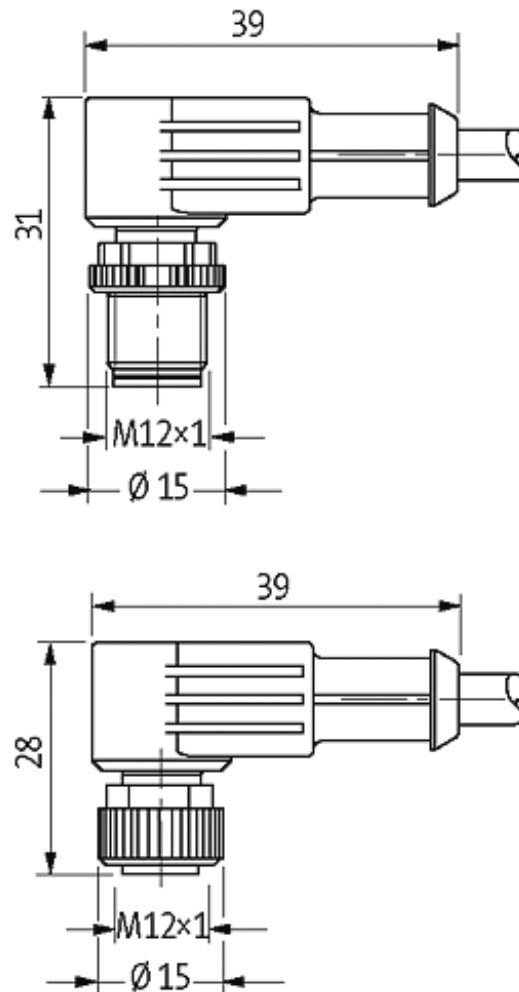
[Link to Product](#)**Illustration**

(* for cable type 126 and 732)

Male

Female





Product may differ from Image

Approvals



Form

40281

Technical Data

| | |
|-------------------------------|---|
| Protection | IP67 inserted and tightened (EN 60529) |
| Operating voltage | max. 125 V AC/DC |
| Operating current per contact | max. 4 A |
| Locking of ports | Screw thread M12 × 1 mm (recommended torque 0.6 Nm) self-securing |

Cables

| | |
|-----------------------|----------------------------|
| Cable number | 615 |
| No./diameter of wires | 5 × 0.34 mm ² |
| Wire isolation | PVC (br, wh, bl, bk, gnye) |

| | |
|-----------------------------|----------------|
| Jacket Color | black |
| Shore hardness outer jacket | 85 ± 5A |
| Material (jacket) | PVC (UL/CSA) |
| Outer diameter | approx. 5.2 mm |
| Bend radius (fixed) | 5 × outer Ø |
| Bend radius (moving) | 10 × outer Ø |
| Temperature range (fixed) | -30...+80 °C |
| Temperature range (mobile) | -5...+80 °C |

General data

Temperature range -25...+85 °C, depending on cable quality

Commercial data

minimum order quantity 1