

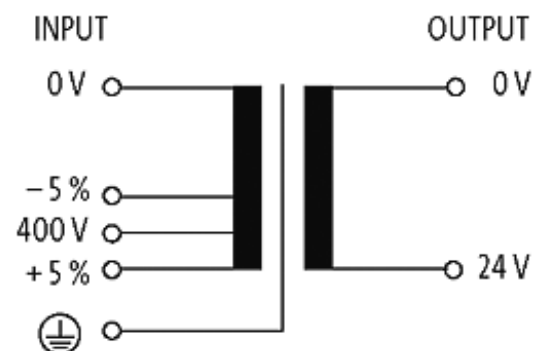
## MET 1-PHASE SAFETY TRANSFORMER

P: 1000VA IN: 400VAC+/- 5% OUT: 24VAC

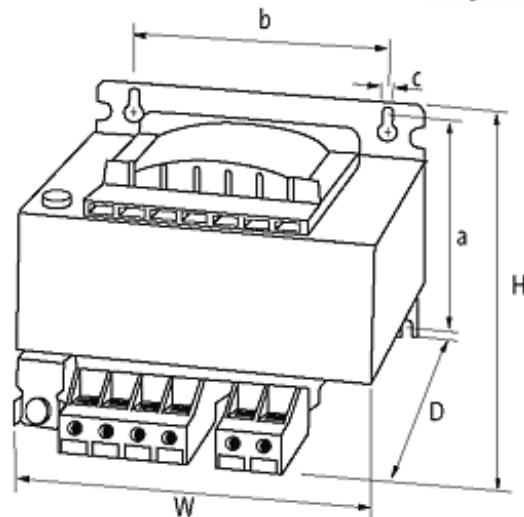
Single-phase safety transformer  
1000 VA  
Isolation class T 60/B

### [Link to Product](#)

#### Illustration



stay connected



Product may differ from Image

### Approvals



### Input

Input voltage	400 V AC $\pm 5\%$
Frequency	50...60 Hz
Input current	2.68 A (400 V AC)
Inrush current	62.5 A (400 V AC)
Short-circuit current	79.4 A (400 V AC)

### General data

Standards	(EN 61558-1), (EN 61558-2-6), (EN 62041 category 0)
Test isolation voltage	4 kV (prim./sec.)
Mounting method	Key-hole mounting
Temperature range	-20...+60 °C, no condensation
Fixing centers a × b × c	111.5×135×7 mm
Dimensions H × W × D	137×174×160 mm
Drill hole $\emptyset$	7×11 mm

### Output

Output voltage	24 V AC (SELV)
----------------	----------------

### Commercial data

country of origin	CZ
customs tariff number	85043180
minimum order quantity	1