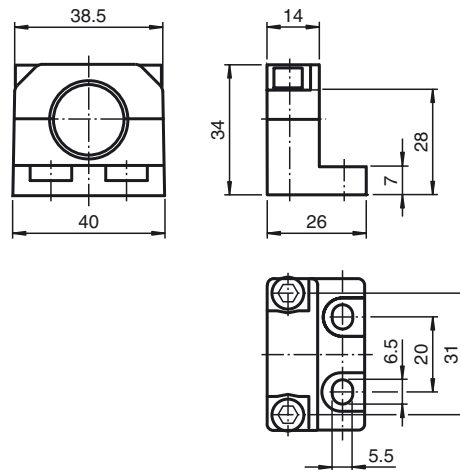


**Model Number****BF-L3M**

Mounting flange

Features

- Sturdy metallic version

Dimensions**Technical Data****Ambient conditions**

Ambient temperature	-40 ... 150 °C (233 ... 423 K)
---------------------	--------------------------------

Mechanical specifications

Material	diecast zinc, powder coated
Fixing screw	Stainless steel 1.4404 / AISI 316L
Mass	74 g