

Features

- For 16 modules
- 24 V DC supply
- Supported signal types: DI/DO/AI/TI/AO
- Hazardous area: screw terminals, blue
- Safe area: screw terminals, black

Function

This Termination Board has 16 plug-in slots. Any HiD module can be inserted into any slot, enabling a mixture of I/O types on one Termination Board.

The Termination Board features fixed screw terminals for the hazardous and for the safe area along with a plug-in HART connector for interconnection to a separate HART Communication Board.

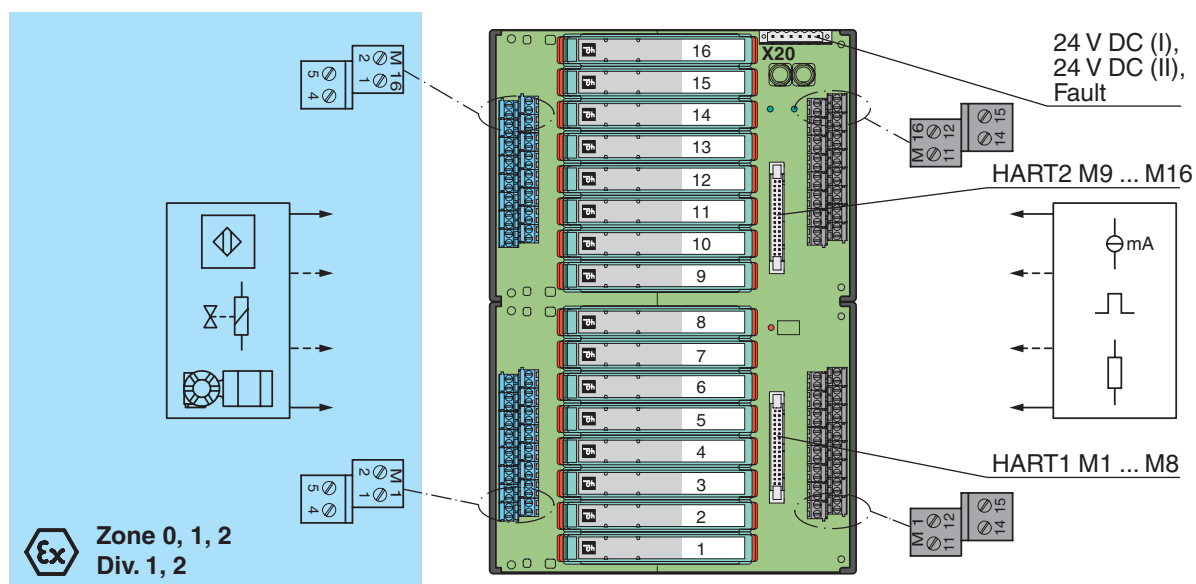
Information about missing supply voltage of the interface modules is available for the system as volt-free contact at the redundant power supply terminals. Wiring errors from field will be reported via the same relay contact if the interface module supports this function.

The Termination Boards are supplied with a robust glass fiber reinforced plastic housing as standard. This design permits the fast and reliable installation on 35 mm DIN mounting rail acc. to EN 60715 in the cabinet.

Assembly



Connection



Release date 2015-07-20 13:18 Date of issue 2015-07-20 260439_eng.xml

Refer to "General Notes Relating to Pepperl+Fuchs Product Information".



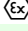
Pepperl+Fuchs Group
www.pepperl-fuchs.com

USA: +1 330 486 0002
pa-info@us.pepperl-fuchs.com

Germany: +49 621 776 2222
pa-info@de.pepperl-fuchs.com

Singapore: +65 6779 9091
pa-info@sg.pepperl-fuchs.com

PEPPERL+FUCHS
PROTECTING YOUR PROCESS

Supply	
Connection	X20: terminals 3, 5 (+); 4, 6 (-)
Rated voltage	U_n 24 V DC , in consideration of rated voltage of used isolated barriers
Voltage drop	0.9 V , voltage drop across the series diode on the Termination Board must be considered
Ripple	≤ 10 %
Fusing	4 A , in each case for 16 modules
Power loss	≤ 500 mW , without modules
Reverse polarity protection	yes
Redundancy	
Supply	Redundancy available. The supply for the modules is decoupled, monitored and fused.
Error message output	
Connection	X20: terminals 1, 2
Output type	volt-free contact
Contact loading	30 V DC, 1 A
Indicators/settings	
Display elements	LED PWR1 (Termination Board power supply), green LED LED PWR2 (Termination Board power supply), green LED LED FAULT (fault indication), red LED - LED lits: module failure - LED flashes: power supply failure
Directive conformity	
Electromagnetic compatibility	
Directive 2004/108/EC	EN 61326-1:2013
Conformity	
Electromagnetic compatibility	NE 21:2011 For further information see system description.
Degree of protection	IEC 60529:2001
Ambient conditions	
Ambient temperature	-20 ... 60 °C (-4 ... 140 °F)
Storage temperature	-40 ... 70 °C (-40 ... 158 °F)
Mechanical specifications	
Degree of protection	IP20
Connection	hazardous area connection (field side): screw terminals, blue safe area connection (control side): screw terminals, black power supply connection: pluggable screw terminals, black
Core cross-section	0.25 ... 1.5 mm ² (24 ... 12 AWG)
Material	housing: polycarbonate, 10 % glass fiber reinforced
Mass	approx. 980 g
Dimensions	300 x 200 x 163 mm (11.8 x 7.9 x 6.42 in) , height including module assembly
Mounting	on 35 mm DIN mounting rail acc. to EN 60715:2001
Data for application in connection with Ex-areas	
EC-Type Examination Certificate	CESI 11 ATEX 062 , for additional certificates see www.pepperl-fuchs.com
Group, category, type of protection	 II (1)G [Ex ia Ga] IIC  II (1)D [Ex ia Da] IIIC  I (M1) [Ex ia Ma] I
Safe area	
Maximum safe voltage	250 V (Attention! U_m is no rated voltage.)
Electrical isolation	
Field circuit/control circuit	safe electrical isolation acc. to IEC/EN 60079-11, voltage peak value 375 V
Directive conformity	
Directive 94/9/EC	EN 60079-0:2012, EN 60079-11:2012, EN 60079-26:2007 , EN 50303:2000
International approvals	
CSA approval	
Control drawing	see control drawing of corresponding modules
IECEX approval	IECEX CES 11.0022
Approved for	[Ex ia Ga] IIC [Ex ia Da] IIIC [Ex ia Ma] I
General information	
Supplementary information	EC-Type Examination Certificate, Statement of Conformity, Declaration of Conformity, Attestation of Conformity and instructions have to be observed where applicable. For information see www.pepperl-fuchs.com .
Accessories	

Release date 2015-07-20 13:18 Date of issue 2015-07-20 260439_eng.xml

Refer to "General Notes Relating to Pepperl+Fuchs Product Information".

Pepperl+Fuchs Group
www.pepperl-fuchs.com

USA: +1 330 486 0002
pa-info@us.pepperl-fuchs.com

Germany: +49 621 776 2222
pa-info@de.pepperl-fuchs.com

Singapore: +65 6779 9091
pa-info@sg.pepperl-fuchs.com

Designation	optional accessories: - HART Communication Board HiATB01-HART-2X16 - HART Multiplexer Master HiDMux2700 - HART connection cable HiACA-UNI-FLK34-*M* - Label Carrier HiALC-Hi*TB-SET-1**
-------------	---

Release date 2015-07-20 13:18 Date of issue 2015-07-20 260439_eng.xml

Refer to "General Notes Relating to Pepperl+Fuchs Product Information".

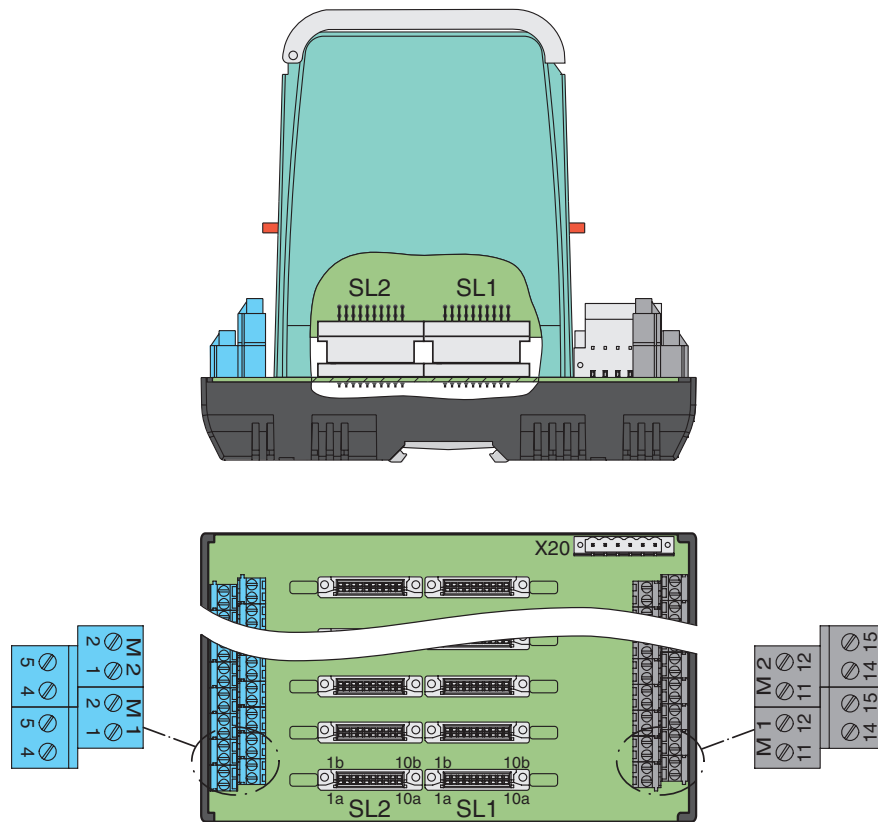
Pepperl+Fuchs Group
www.pepperl-fuchs.com

USA: +1 330 486 0002
pa-info@us.pepperl-fuchs.com

Germany: +49 621 776 2222
pa-info@de.pepperl-fuchs.com

Singapore: +65 6779 9091
pa-info@sg.pepperl-fuchs.com

Application



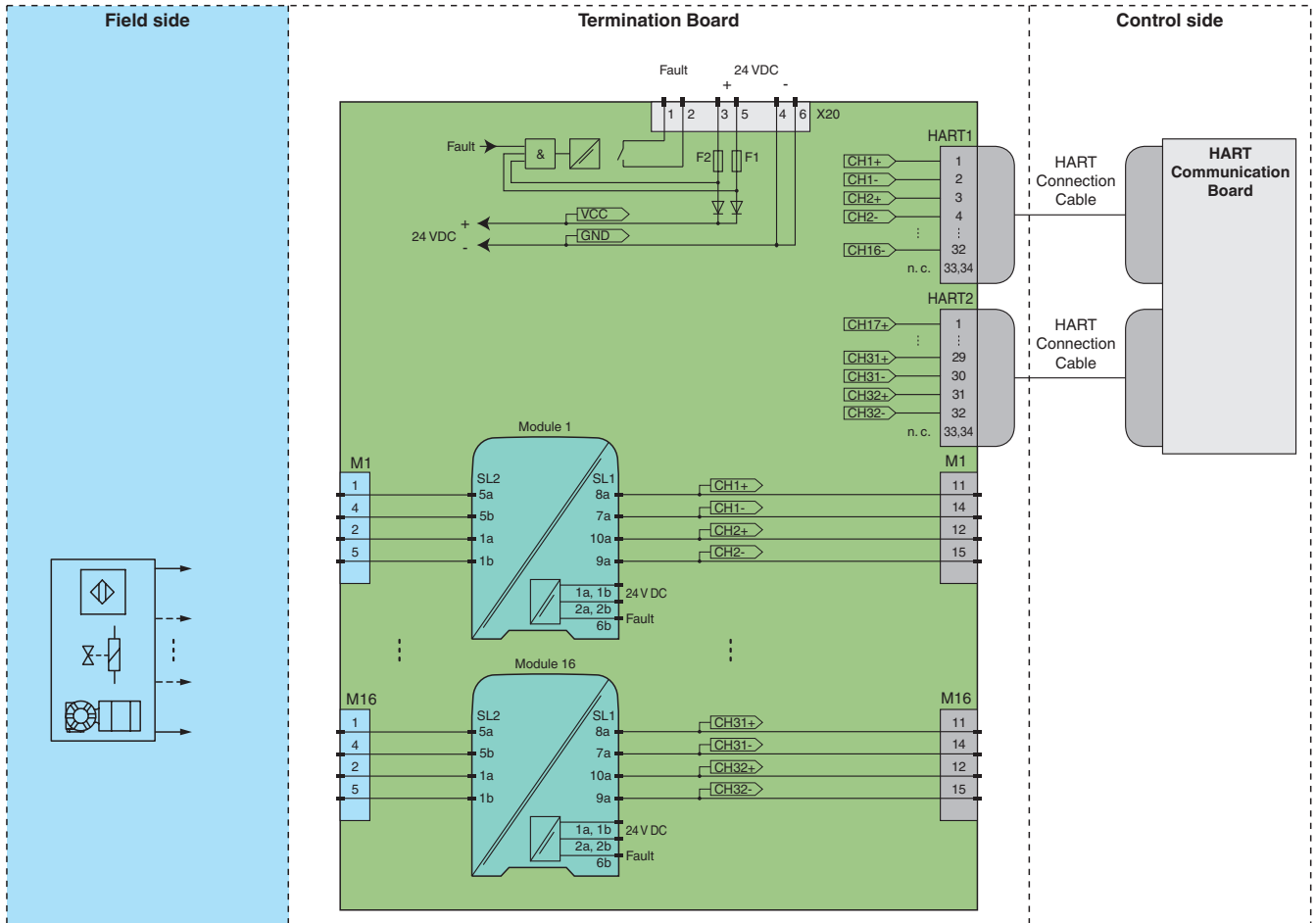
Insert the isolated barrier on the Termination Board. This closes the signal circuit between field side and control side. Connect field devices and controller to the terminals or connecting plugs of the Termination Board. For pin assignment between terminals, connecting plugs and connectors SL1/SL2, see drawing "Connection diagram" or the corresponding pin-out table on www.pepperl-fuchs.com.



For exact pin assignment for fieldside and control side, see the documentation of the isolated barrier.

Application

Connection diagram



For exact pin assignment for connection to field side and control side, see the documentation of the isolated barrier.



The pin-out configuration has to be observed. For information see corresponding pin-out table on www.pepperl-fuchs.com.