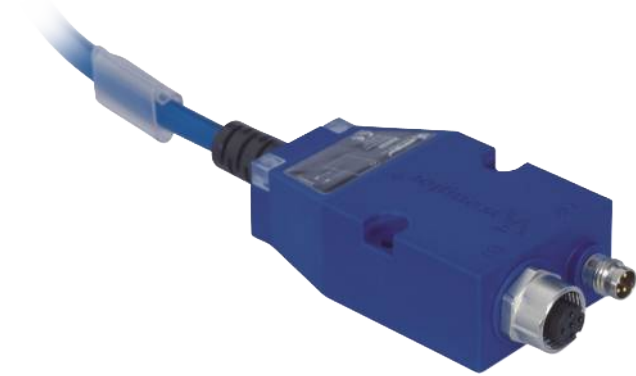


Midspan Adapter

PoE

Z0029

Part Number



Technical Data

Electrical Data

Supply Voltage	18...32 V
Min. Current Consumption	< 25 mA
Max. Current Consumption	< 500 mA
Temperature Range	-25...60 °C
Reverse Polarity Protection	yes
Supported PoE Standard	IEEE802.3af, IEEE802.at
Supported PoE Classes	Class 1, 2
Protection Class	III

Mechanical Data

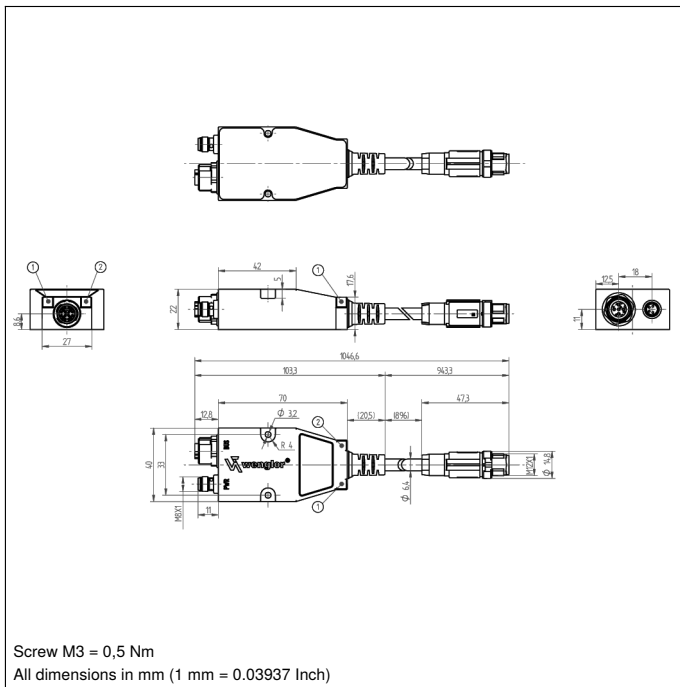
Material	Plastic
Weight	125 g
Full Encapsulation	yes
Degree of Protection	IP67
Type of Connection Power	M8 × 1; 4-pin
Type of Connection Ethernet	M12 × 1; 4-pin
Type of Connection PoE	M12 × 1; 8-pin
Cable Length	1 m
Packaging unit	1 Piece

Power Source Equipment for PoE



Connection Table No.

51



Screw M3 = 0,5 Nm

All dimensions in mm (1 mm = 0.03937 Inch)

● Power source equipment for PoE

Complementary Products

Connection Cable ZAV51Rx0x

Connection Line S60-xM, S61-xM



51

Socket 1

 Suitable Plug: **7**

Pin	Function	In/Out
1	Power +18...32 V DC	In
2		
3	Ground 0 V DC	
4		

Socket 2

 Suitable Plug: **50**

Pin	Function	In/Out
1	TxD (+)	Out
2	TxD (-)	Out
3	RxD (+)	In
4	RxD (-)	In
5	PoE (+)	Out
6	PoE (+)	Out
7	PoE (-)	Out
8	PoE (-)	Out

Socket 3

 Suitable Plug: **51**

Pin	Function	In/Out
1	TxD (+)	Out
2	RxD (+)	In
3	TxD (-)	Out
4	RxD (-)	In

