

# D-SUBMINIATURE MIXED AND FULL POWER DW SERIES

## OVERVIEW

FCI's D-Subminiature connectors are part of an industry standard for applications requiring robust and reliable connectors. These proven D-Subminiature connectors are one of the most popular Input/Output interconnects, addressing a wide variety of applications in Telecommunications, Data, Consumer, Industrial, Military, Instrumentation and Medical. Since many years FCI has been offering a wide range of D-Subminiature connectors to meet various design requirements including those in harsh environment.

FCI offers full power and mixed power versions which has been specifically developed for power applications in industrial and telecom market segment. PC board connectors are delivered with preloaded power contacts (10 – 40A). Cable crimp and solder power contacts are delivered with colour plastic clips for an easy wire gauge identification.



## FEATURES & BENEFITS

- Power connectors available for PCB & Cable applications
- Available in full power and in mixed layout (signal + power) – 2V2 to 36W4
- Power contacts available in solder, crimp & coaxial types with different current rating options
- Frugal-D design (2 shells + 2 housings) & Delta-D design (1 shell + 1 housing)
- RoHS compliant

## TARGET MARKETS/APPLICATIONS

- Data
  - Servers
  - Server & storage blades
  - External storage system
  - HDDs
  - HDD carriers
- Communications
  - Processor & storage blades
  - Mezzanine cards
- Industrial, Instrumentation & Medical
  - Embedded system boards

**D-SUBMINIATURE MIXED AND FULL POWER DW SERIES**



# GENERAL CHARACTERISTICS

## LAYOUTS

- Male insulator front view

Shell Size	Layout	
E	2V2 coded	
	5W1	
A	11W1	
	7W2	
	3W3	
	3V3 coded	
C	25W3	
	21WA4	
	27W2	
	8W8	

Shell Size	Layout	
B	21W1	
	17W2	
	13W3	
	9W4	
	5W5	
D	47W1	
	24W7	
	36W4	

Example of layout codification 7W2 = 7 contacts of which 2 power contacts

For more information,  
please contact: [Communications@fci.com](mailto:Communications@fci.com)  
or visit us at [www.fci.com](http://www.fci.com)

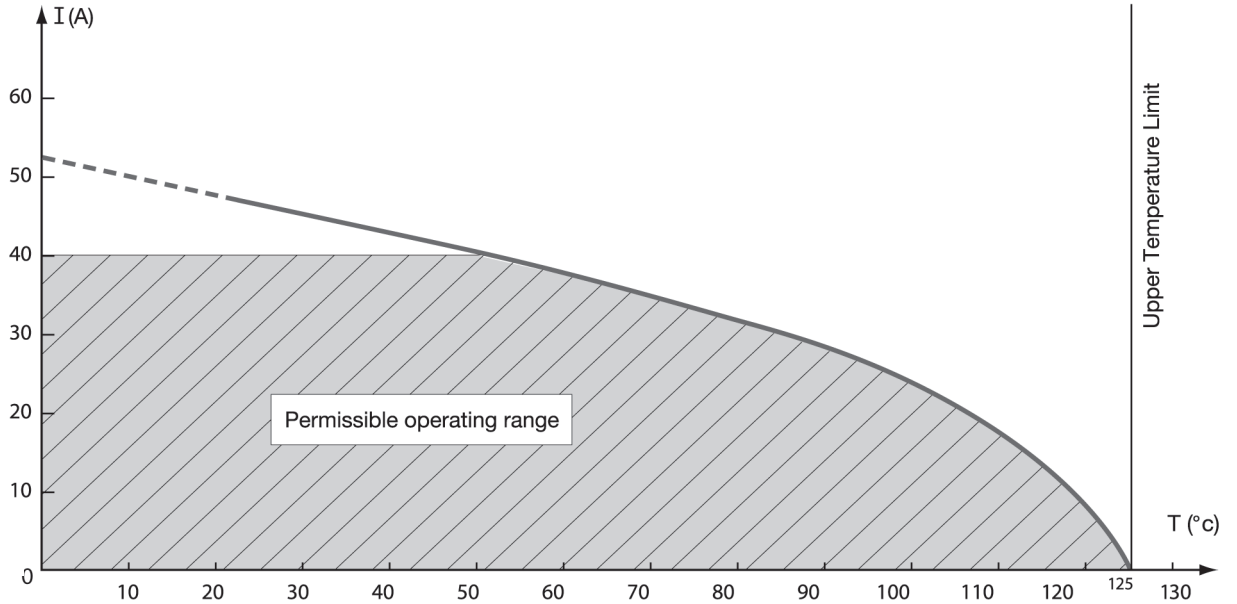
**Disclaimer**  
Please note that the above information is subject to change without notice.

**D-SUBMINIATURE MIXED AND FULL POWER DW SERIES**

## DERATING CURVES

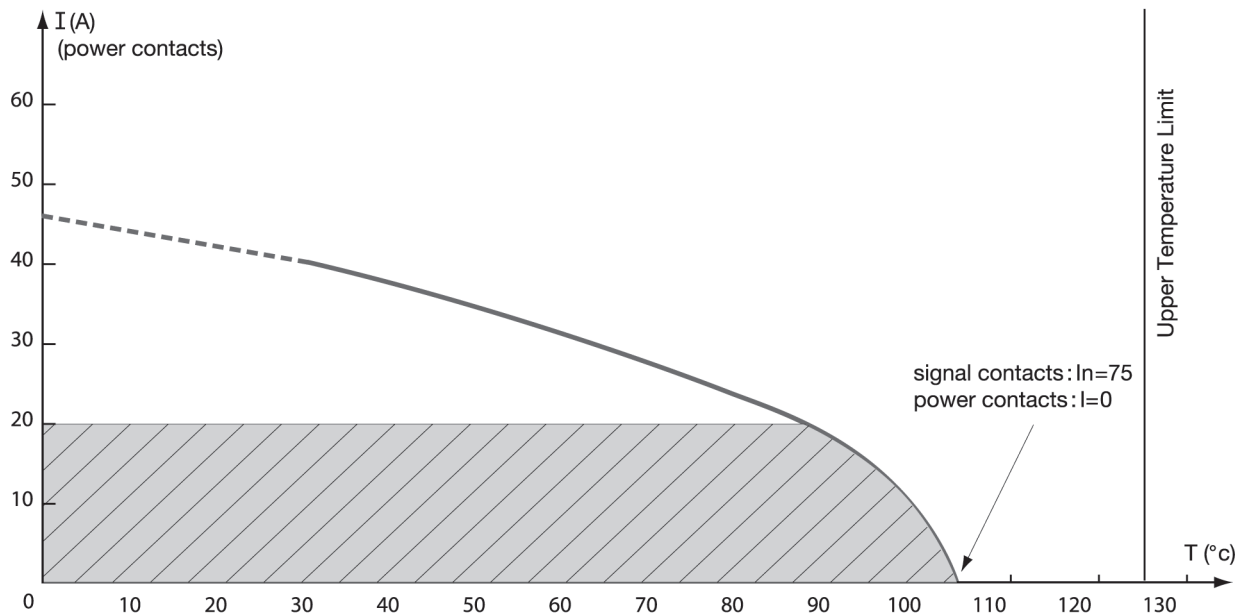
### DERATING CURVE ON CONNECTOR DC 8W8 SA 00

- Fitted with contacts 8638 PSC 4005 (female) (I=40A)



### DERATING CURVE ON CONNECTOR DB 13N3 PA 00

- Fitted with power contacts 8638 PPS 2005 (I=20A)  
(I signal contacts=7,5A)

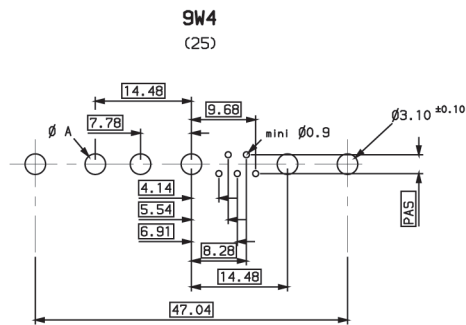
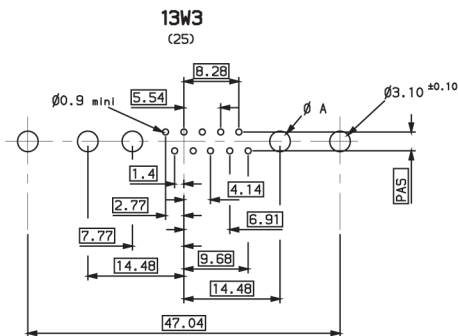
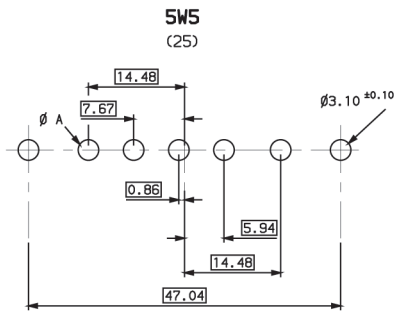
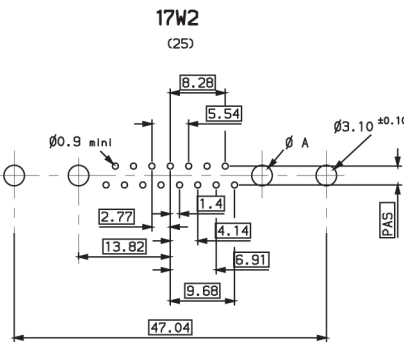
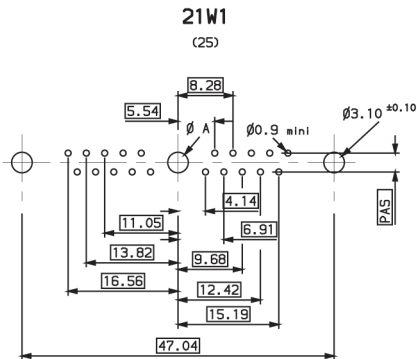
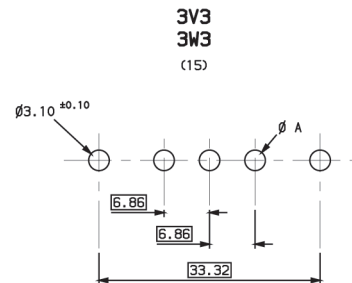
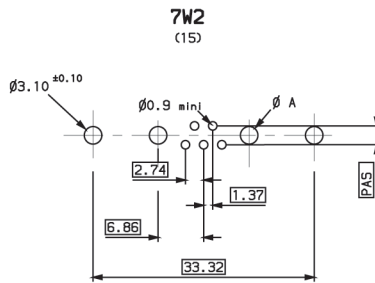
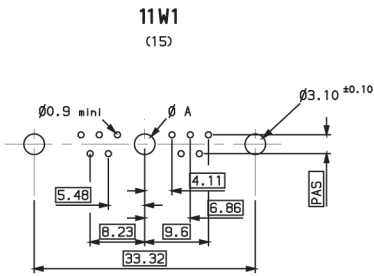
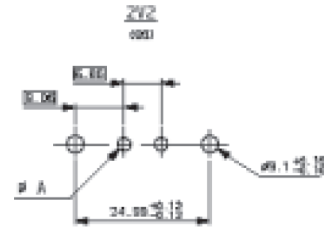
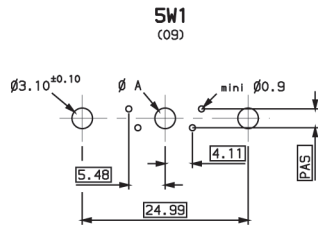


**D-SUBMINIATURE MIXED AND FULL POWER DW SERIES**

**DIMENSIONS**

**PC BOARD DRILLING**

Solder Termination			
Version	Step	30A	40A
		Ø A	
3	2.84	Ø 2.40 $\pm$ 0.10	Ø 3.10 $\pm$ 0.10
7	2.84	Ø 2.40 $\pm$ 0.10	
5	2.84	Ø 2.40 $\pm$ 0.10	Ø 3.10 $\pm$ 0.10



For more information,  
please contact: [Communications@fci.com](mailto:Communications@fci.com)  
or visit us at [www.fci.com](http://www.fci.com)

**Disclaimer**  
Please note that the above information is subject to change without notice.



**D-SUBMINIATURE MIXED AND FULL POWER DW SERIES**

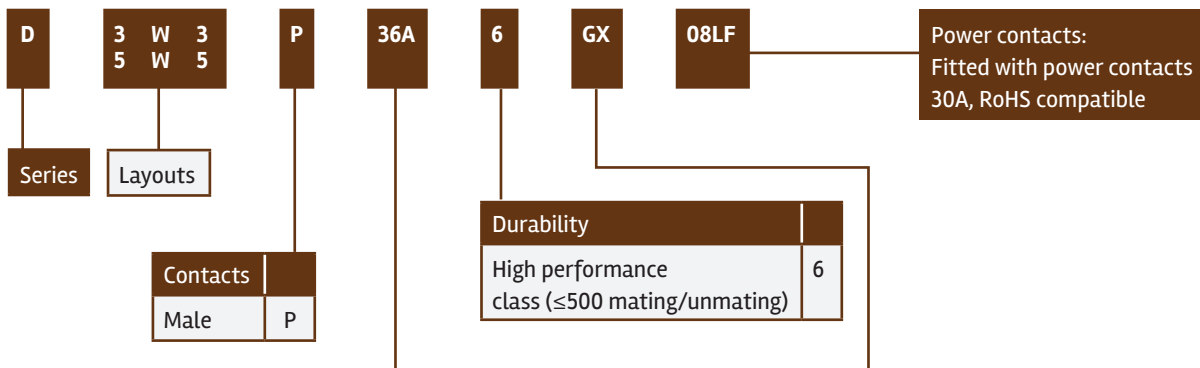
**FULL POWER RIGHT ANGLE SOLDER TO BOARD**

**UL Recognised File E 118235 (R)**

- This monobloc insulator design with stamped and formed signal contacts combines performance and cost effectiveness



**ORDERING INFORMATION**

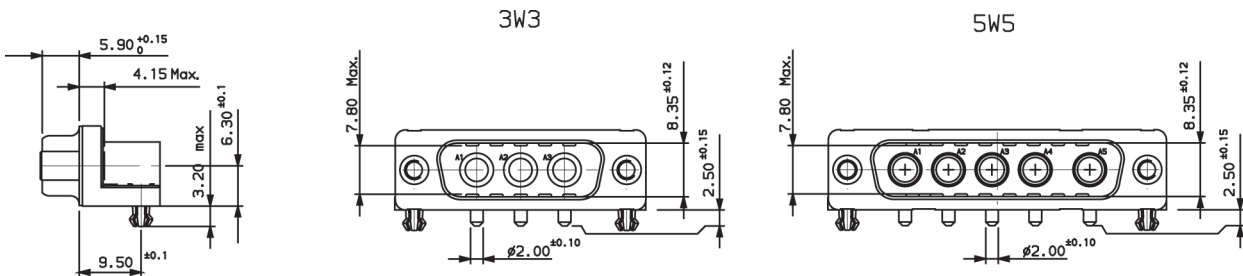


Type	Foot Print	Length of Termination	PCB Thickness	Code
Right angle, US standard, solder	8.08mm	2.50mm	1.6	36A

Mounting Options	
Harpoons + insert M3 + elec. continuity	GL
Harpoons + insert UNC 4-40 + elec. continuity	GX ✓
Harpoons + female screw UNC 4-40 + elec. continuity	GV ✓

Preferred option ✓

**SPECIFIC DIMENSIONS**



For more information, please contact: [Communications@fci.com](mailto:Communications@fci.com) or visit us at [www.fci.com](http://www.fci.com)

**Disclaimer**  
Please note that the above information is subject to change without notice.

**D-SUBMINIATURE MIXED AND FULL POWER DW SERIES**

**STRAIGHT AND RIGHT ANGLE PC BOARD VERSIONS**

**UL** UL Recognised File E 118235 (R)



**ORDERING INFORMATION**

<b>D</b>	<b>B</b>	<b>L</b>	<b>13 W 3</b>	<b>P</b>	<b>3</b>	<b>00</b>	<b>G</b>	<b>3 0 L F</b>																																																			
<p>Series</p>	<p>Shell size (tin plated): E, A, B, C, D (only straight version)</p>	<table border="1" style="width: 100%; border-collapse: collapse;"> <tr> <th colspan="6">Option 1</th> </tr> <tr> <th></th> <th>Blank</th> <th>L</th> <th>O</th> <th>I</th> <th>V</th> </tr> <tr> <td>Straight version</td> <td></td> <td>X</td> <td>X</td> <td>X</td> <td>X</td> </tr> <tr> <td>Right angled</td> <td>X</td> <td>X</td> <td>X</td> <td>X</td> <td>X</td> </tr> </table> <p>X: Available</p> <p>Blank: without accessory L: Threaded insert M3 O: Threaded insert UNC 4-40 I: Female screw UNC M3 V: Female screw UNC 4-40</p>	Option 1							Blank	L	O	I	V	Straight version		X	X	X	X	Right angled	X	X	X	X	X	<p>Layout of contacts for right angled versions, 47W1, 24W7, 36W4 non available</p>	<table border="1" style="width: 100%; border-collapse: collapse;"> <tr> <th colspan="2">Contacts</th> </tr> <tr> <td>Pin</td> <td>P</td> </tr> <tr> <td>Socket</td> <td>S</td> </tr> </table>	Contacts		Pin	P	Socket	S	<table border="1" style="width: 100%; border-collapse: collapse;"> <tr> <th colspan="2">Termination Type</th> </tr> <tr> <td>Straight version</td> <td>3</td> </tr> <tr> <td>Right angled / Europe standard</td> <td>5</td> </tr> <tr> <td>Right angled / US standard (5W1, 9W4 non available)</td> <td>7</td> </tr> </table>	Termination Type		Straight version	3	Right angled / Europe standard	5	Right angled / US standard (5W1, 9W4 non available)	7	<table border="1" style="width: 100%; border-collapse: collapse;"> <tr> <th colspan="2">Durability</th> </tr> <tr> <td>200 mating/unmating</td> <td>00</td> </tr> <tr> <td>500 mating/unmating</td> <td>43</td> </tr> </table>	Durability		200 mating/unmating	00	500 mating/unmating	43	<table border="1" style="width: 100%; border-collapse: collapse;"> <tr> <th colspan="2">Power Contacts</th> </tr> <tr> <td>Fitted with power contacts 30A RoHS compatible</td> <td>30LF</td> </tr> <tr> <td>Fitted with power contacts 40A RoHS compatible</td> <td>40LF</td> </tr> <tr> <td>Without power contacts, RoHS compatible</td> <td>00LF</td> </tr> </table>	Power Contacts		Fitted with power contacts 30A RoHS compatible	30LF	Fitted with power contacts 40A RoHS compatible	40LF	Without power contacts, RoHS compatible	00LF
Option 1																																																											
	Blank	L	O	I	V																																																						
Straight version		X	X	X	X																																																						
Right angled	X	X	X	X	X																																																						
Contacts																																																											
Pin	P																																																										
Socket	S																																																										
Termination Type																																																											
Straight version	3																																																										
Right angled / Europe standard	5																																																										
Right angled / US standard (5W1, 9W4 non available)	7																																																										
Durability																																																											
200 mating/unmating	00																																																										
500 mating/unmating	43																																																										
Power Contacts																																																											
Fitted with power contacts 30A RoHS compatible	30LF																																																										
Fitted with power contacts 40A RoHS compatible	40LF																																																										
Without power contacts, RoHS compatible	00LF																																																										
							<table border="1" style="width: 100%; border-collapse: collapse;"> <tr> <th colspan="5">Option 2</th> </tr> <tr> <th></th> <th>A</th> <th>H</th> <th>G</th> <th>M</th> </tr> <tr> <td>Straight version</td> <td>X</td> <td>X</td> <td>X</td> <td></td> </tr> <tr> <td>Right angled</td> <td>X</td> <td>X</td> <td>X</td> <td>X</td> </tr> </table> <p>X: Available</p> <p>A: Without accessory on PCB H: Locking device used for PCB thickness 2.4mm O: Locking device used for PCB thickness 1.6mm M: Metal brackets</p>	Option 2						A	H	G	M	Straight version	X	X	X		Right angled	X	X	X	X																																
Option 2																																																											
	A	H	G	M																																																							
Straight version	X	X	X																																																								
Right angled	X	X	X	X																																																							

For more information, please contact: [Communications@fci.com](mailto:Communications@fci.com) or visit us at [www.fci.com](http://www.fci.com)

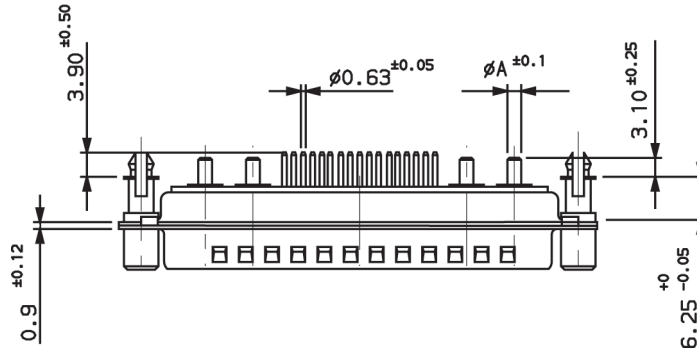
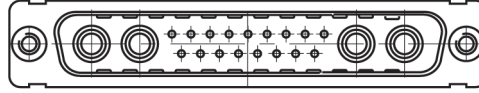
**Disclaimer**  
Please note that the above information is subject to change without notice.

**D-SUBMINIATURE MIXED AND FULL POWER DW SERIES**

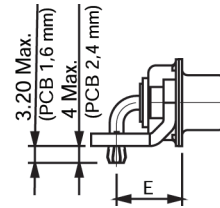
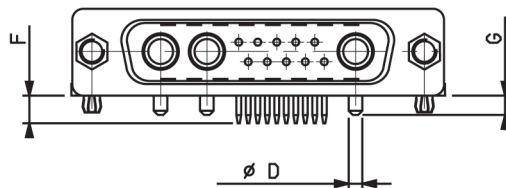
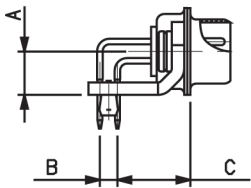
**SPECIFIC DIMENSIONS**

**STRAIGHT VERSION**

I	30A	40A
∅ A	2.0	2.8



**RIGHT ANGLE VERSION**



	Termination Type	Amp.	A $\pm 0.10$	B $\pm 0.20$	C $\pm 0.20$	D $\pm 0.10$	E $\pm 0.20$	F $\pm 0.50$	G $\pm 0.30$
Europe	5...	30A	7.20	2.54	10.30	2.00	11.65	4.00	3.60
		40A	7.20	2.54	10.30	2.80	11.65	4.00	3.60
U.S	7...	30A	6.30	2.84	8.08	2.00	9.50	3.90	3.60

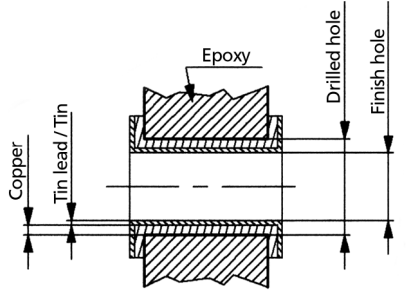




**D-SUBMINIATURE MIXED AND FULL POWER DW SERIES**

**SPECIFIC DIMENSIONS**

**METALIZED HOLE DIMENSIONS**



		Press-fit Contacts	Press-fit Harpoons		
P.C.B hole definition (note 1 and 2)		Drill diameter	$\varnothing 3.22^{\pm 0.03}$	$\varnothing 3.22^{\pm 0.03}$	$\varnothing 3.22^{\pm 0.03}$
		Drilled hole	$\varnothing 3.19 - 3.25$	$\varnothing 3.19 - 3.25$	
		Copper plating	25 $\mu$ m min. (recommended 50 $\mu$ max.)	25 $\mu$ m min. (recommended 50 $\mu$ max.)	
	non RoHS	Tin-lead plating	15 $\mu$ m max. (recommended 5 $\mu$ min.)	15 $\mu$ m max. (recommended 5 $\mu$ min.)	
		Finish hole (after reflow)	$\varnothing 3.02 - 3.20$	$\varnothing 3.02 - 3.20$	
	RoHS	Tin plating	0.8 to 1.2 $\mu$ m	0.8 to 1.2 $\mu$ m	
		Finish hole (after reflow)	$\varnothing 3.08 - 3.20$	$\varnothing 3.08 - 3.20$	

Note 1: These dimensions must be respected to ensure press-fit pin performance

Note 2: According to IEC-352-S specification

Note 3: Vital requirement for press-fit pin performance

**PRESS-FIT PERFORMANCE**

	Press-fit Contacts	Press-fit Harpoons
Insertion force	$\leq 200$ N (average insertion 160 N)	$\leq 200$ N (average insertion 160 N)
Extraction force	$\geq 30$ N	$\geq 30$ N

**D-SUBMINIATURE MIXED AND FULL POWER DW SERIES**

**MIXED AND FULL POWER CABLE CONNECTORS**

**UL** UL Recognised File E 118235 (R)



**ORDERING INFORMATION**

**D**   **B**   **L**   **13 W 3**   **P**   **4**   **00**   **A**   **00LF**   **RoHS compatible**

**Series**

**Shell size (tin plated):**  
E, A, B, C, D

**Layout of contacts**

**Mounting Options**

Description	Blank	L	O	I	V	F
Solder buckets	X	X	X	X	X	X
Wire wrap	X	X	X	X	X	X

X: Available

Blank: without accessory  
 ✓ L: Threaded insert M3  
 ✓ O: Threaded insert UNC 4-40  
 ✓ I: Female screw UNC 4-40  
 V: Female screw UNC 4-40  
 F: Float mounting

Preferred option ✓

**Contacts**

Contacts	
Pin	P
Socket	S

**Without accessory on PCB**

**Durability**

200 mating/unmating	00
500 mating/unmating (blank for solder bucket termination)	43

**Termination Type**

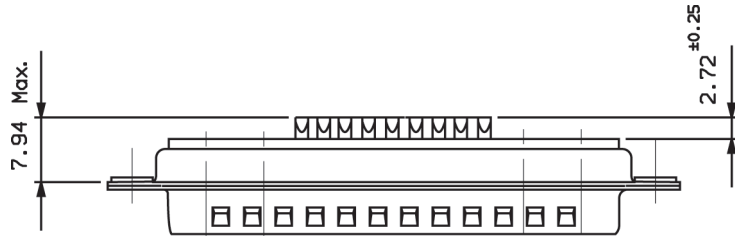
Solder bucket (blank for plating 00)	0
Wire wrap (3 levels)	4

**D-SUBMINIATURE MIXED AND FULL POWER DW SERIES**



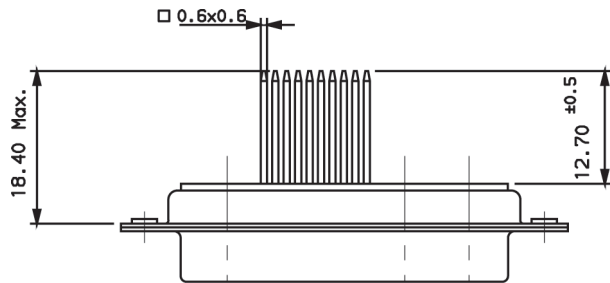
## SPECIFIC DIMENSIONS

### Solder Bucket

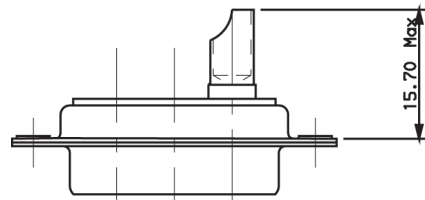


### Wire Wrap

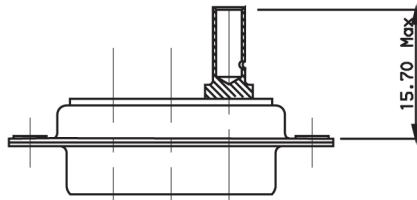
WW (3 levels)



### Solder version



### Crimp version

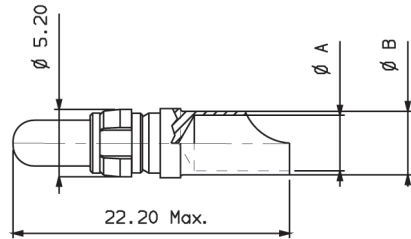


**D-SUBMINIATURE MIXED AND FULL POWER DW SERIES**

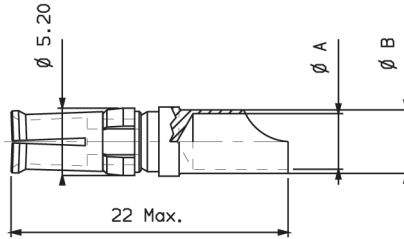
**POWER SOLDER AND CRIMP CONTACTS**

**SOLDER CONTACTS**

Male



Female



Type	Max. Current Rating	Clip Colour	RoHS* Part Number ≥200 mating/ unmating	RoHS* Part Number ≥500 mating/ unmating	Wire		Strip length mm <sup>+0.5</sup>	Ø A <sup>+0.1</sup> <sub>0</sub>	Ø B <sup>+0.05</sup>
					Size	Section mm <sup>2</sup>			
Male	10A	Black	8638PPS1005LF	8638PPS1006LF	16	1.3	7	1.7	2.6
Male	15A	White	8638PPS1505LF	8638PPS1506LF	14	1.9	7	2.1	3
Male	20A	Red	8638PPS2005LF	8638PPS2006LF	12	3.2	7	2.8	3.65
Male	40A	Blue	8638PPS4005LF	8638PPS4006LF	8	9	7	4.4	5
Female	10A	Black	8638PSS1005LF	8638PSS1006LF	16	1.3	7	1.7	2.6
Female	15A	White	8638PSS1505LF	8638PSS1506LF	14	1.9	7	2.1	3
Female	20A	Red	8638PSS2005LF	8638PSS2006LF	12	3.2	7	2.8	3.65
Female	40A	Blue	8638PSS4005LF	8638PSS4006LF	8	9	7	4.4	5

Clip material: Plastic withstanding 125°C

Termination plating: Matt tin

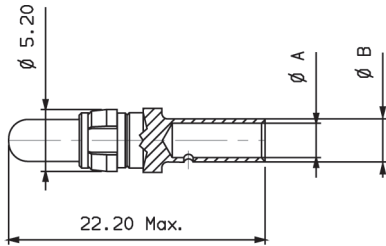
\*RoHS compatible EU directive 2002/95/EC

**D-SUBMINIATURE MIXED AND FULL POWER DW SERIES**

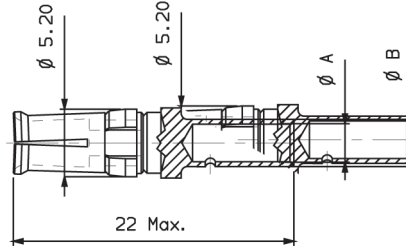
**POWER SOLDER AND CRIMP CONTACTS**

**CRIMP CONTACTS**

Male



Female



Type	Max. Current Rating	Clip Colour	RoHS* Part Number $\geq 200$ mating/ unmating	RoHS* Part Number $\geq 500$ mating/ unmating	Wire		Strip length mm $^{+0.5}$	$\varnothing A$ $^{+0.1}_0$	$\varnothing B$ $^{+0.05}$
					Size	Section mm <sup>2</sup>			
Male	10A	Black	8638PPC1005LF	8638PPC1006LF	16 to 18	0.9 to 1.3	7	1.8	2.55
Male	20A	Red	8638PPC1505LF	8638PPC1506LF	12 to 14	2 to 3	7	2.8	3.7
Male	30A	White	8638PPC2005LF	8638PPC2006LF	9	6	7	3.75	4.65
Male	40A	Blue	8638PPC4005LF	8638PPC4006LF	8 to 10	5 to 8	7	4.8	5.5
Female	10A	Black	8638PSC1005LF	8638PSC1006LF	16 to 18	0.9 to 1.3	7	1.8	2.55
Female	20A	Red	8638PSC1505LF	8638PSC1506LF	12 to 14	2 to 3	7	2.8	3.7
Female	30A	White	8638PSC2005LF	8638PSC2006LF	9	6	7	3.75	4.65
Female	40A	Blue	8638PSC4005LF	8638PSC4006LF	8 to 10	5 to 8	7	4.8	5.4

Clip material: Plastic withstanding 125°C

Termination plating: Matt tin

\*RoHS compatible EU directive 2002/95/EC

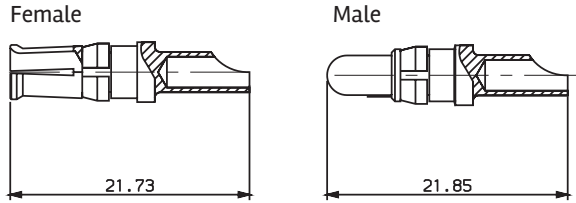
**Disclaimer**

Please note that the above information is subject to change without notice.

**D-SUBMINIATURE MIXED AND FULL POWER DW SERIES**

**CONTACTS (OTHER VERSIONS)**

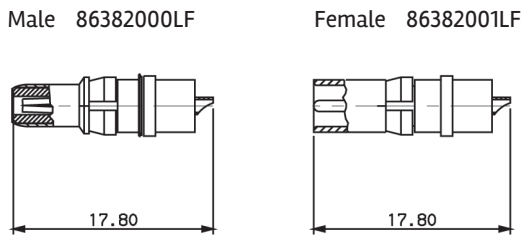
**POWER CONTACTS – METAL CLIP**



Wire Size	Max. Current	Part Numbers	
		Male	Female
AWG8	40A	86303098NLF	86303099NLF
AWG12	20A	86303056NLF	86303057NLF
AWG14	15A	86303060NLF	86303061NLF
AWG16	10A	86303064NLF	86303065NLF

Durability: 500 mating/unmating

**HIGH VOLTAGE CONTACTS**



Colors: Blue

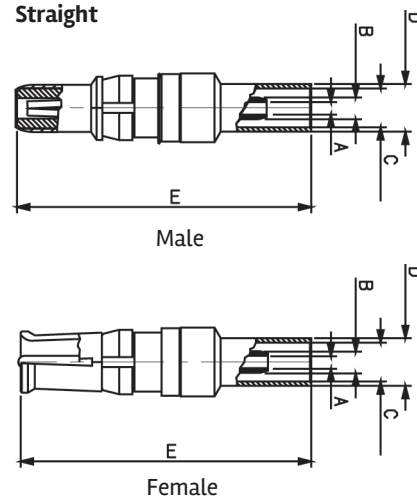
White

These removable contacts are suitable for the contact cavities of the DMW series and DW series.

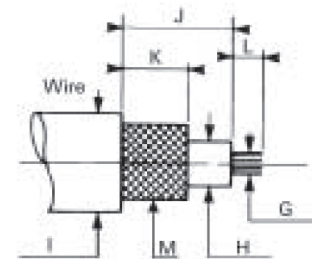
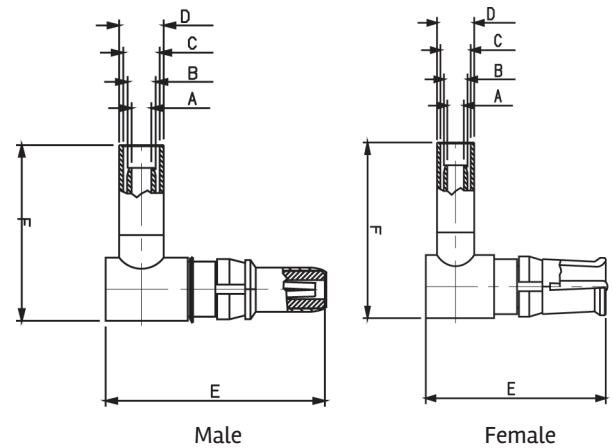
The coaxial contacts are in compliance with:

- NFC 93569
- KMX4 specification

**COAXIAL CONTACTS**



**Angled**





 **D-SUBMINIATURE MIXED AND  
FULL POWER DW SERIES**

## **TECHNICAL INFORMATION**

### **ELECTRICAL PERFORMANCE**

- Dielectric with standing voltage: 2800V RMS
- Break down voltage: 3200V RMS
- Insulation resistance:  $10^6$  M $\Omega$
- Contact resistance:  $\leq 5$  m $\Omega$
- Max. current rating: 5A
- Material: TEFLON

### **ENVIRONMENTAL**

- Operating temperature range: -55° C to +125° C

### **MECHANICAL PERFORMANCE**

- Mating force per set of contact: 3 N
- Mating endurance: 200

**Disclaimer**



**D-SUBMINIATURE MIXED AND FULL POWER DW SERIES**

**CONTACTS (OTHER VERSIONS)**

**STANDARD COAXIAL CONTACTS**

Contact Type		Part Numbers				Contacts Dimension					
		Soldered Screen	NFC 93569 KMX4	Crimped Screen	NFC 93569 KMX4	A <sup>±0.10</sup>	B <sup>±0.15</sup>	C <sup>±0.2</sup>	D <sup>±0.15</sup>	E <sup>±0.4</sup>	F <sup>±0.4</sup>
Straight	male	DM537405000NCLF	KMX4M11D02	DM53740NCLF	KMXM12D02	1	1.75	2.32	3.20	23.60	
	male	DM537405008NCLF	-	-	-					21.80	
	female	DM537425000NCLF	KMX4F11D02	DM53742NCLF	KMX4F12D02					23.60	
	female	DM537425006NCLF	-	-	-					21.80	
Right angle	male	DM537415000NCLF	KMX4M11C02	DM53741NCLF	KMX4M12C02					18.64	15.30
	female	DM537435000NCLF	KMX4F11C02	DM537432NCLF	KMX4F12C02					18.64	15.30
Straight	male	DM537405001NCLF	KMX4M11D01	DM537401NCLF	KMX4M12D01	1.70	2.46	3	3.84	23.60	
	female	DM537425001NCLF	KMX4F11D01	DM537421NCLF	KMX4F12D01					23.60	
Right angle	male	DM537415001NCLF	KMX4M11C01	DM537411NCLF	KMX4M12C01					18.64	15.30
	female	DM537435001NCLF	KMX4F11C01	DM537433NCLF	KMX4F12C01					18.64	12.50

**SPECIFIC COAXIAL CONTACTS**

Contact Type		Part Numbers				Contacts Dimension					
		Soldered Screen	NFC 93569 KMX4	Crimped Screen	NFC 93569 KMX4	A <sup>±0.10</sup>	B <sup>±0.15</sup>	C <sup>±0.2</sup>	D <sup>±0.15</sup>	E <sup>±0.4</sup>	F <sup>±0.4</sup>
Straight	male	DM537405002NCLF	-	DM537403NCLF	-	2.75	4.40	5.45	5.95	26.30	
	female	DM537425002NCLF	-	DM537423NCLF	-					26.30	
Straight	male	DM537405005NCLF	-	DM537405NCLF	-	3.15	4.40	5.45	5.95	23.60	
	female	DM537425004NCLF	-	DM537425NCLF	-					23.60	
Right angle	female	DM537435004NCLF	-	DM537436NCLF	-					18.64	17.50

# D-SUBMINIATURE MIXED AND FULL POWER DW SERIES

## STANDARD COAXIAL CONTACTS

Contact Type		Part Numbers				Cable		
		Soldered Screen	NFC 93569 KMX4	Crimped Screen	NFC 93569 KMX4	MILC 17E	NFC 93550	Impedance
Straight	male	DM537405000NCLF	KMX4M11D02	DM53740NCLF	KMXM12D02	RG178BU	KX21A	50Ω <sup>+2</sup>
	male	DM537405008NCLF	-	-	-			
	female	DM537425000NCLF	KMX4F11D02	DM53742NCLF	KMX4F12D02			
	female	DM537425006NCLF	-	-	-			
Right angle	male	DM537415000NCLF	KMX4M11C02	DM53741NCLF	KMX4M12C02			
	female	DM537435000NCLF	KMX4F11C02	DM537432NCLF	KMX4F12C02			
Straight	male	DM537405001NCLF	KMX4M11D01	DM537401NCLF	KMX4M12D01	RG316U	KX22A	50Ω <sup>+2</sup>
	female	DM537425001NCLF	KMX4F11D01	DM537421NCLF	KMX4F12D01			
Right angle	male	DM537415001NCLF	KMX4M11C01	DM537411NCLF	KMX4M12C01			
	female	DM537435001NCLF	KMX4F11C01	DM537433NCLF	KMX4F12C01			

Contact Type		Part Numbers				Wire						
		Soldered Screen	NFC 93569 KMX4	Crimped Screen	NFC 93569 KMX4	G	H	I	J	K	L	M (max.)
Straight	male	DM537405000NCLF	KMX4M11D02	DM53740NCLF	KMXM12D02	0.30	0.90	1.80	7.90	6.35	2	1.40
	male	DM537405008NCLF	-	-	-							
	female	DM537425000NCLF	KMX4F11D02	DM53742NCLF	KMX4F12D02							
	female	DM537425006NCLF	-	-	-							
Right angle	male	DM537415000NCLF	KMX4M11C02	DM53741NCLF	KMX4M12C02				9.50	5.95	1.60	
	female	DM537435000NCLF	KMX4F11C02	DM537432NCLF	KMX4F12C02							
Straight	male	DM537405001NCLF	KMX4M11D01	DM537401NCLF	KMX4M12D01	0.50	1.50	2.50	7.90	6.35	2.00	2.05
	female	DM537425001NCLF	KMX4F11D01	DM537421NCLF	KMX4F12D01							
Right angle	male	DM537415001NCLF	KMX4M11C01	DM537411NCLF	KMX4M12C01				9.50	5.95	1.60	
	female	DM537435001NCLF	KMX4F11C01	DM537433NCLF	KMX4F12C01							

For more information,  
please contact: [Communications@fci.com](mailto:Communications@fci.com)  
or visit us at [www.fci.com](http://www.fci.com)

### Disclaimer

Please note that the above information is subject to change without notice.

**D-SUBMINIATURE MIXED AND FULL POWER DW SERIES**

**SPECIFIC COAXIAL CONTACTS**

Contact Type		Part Numbers				Cable		
		Soldered Screen	NFC 93569 KMX4	Crimped Screen	NFC 93569 KMX4	MILC 17E	NFC 93550	Impedance
Straight	male	DM537405002NCLF	-	DM537403NCLF	-	RG180BU		95Ω ±2
	female	DM537425002NCLF	-	DM537423NCLF	-			
Straight	male	DM537405005NCLF	-	DM537405NCLF	-	RG58CU	KX15	50Ω ±2
	female	DM537425004NCLF	-	DM537425NCLF	-			
Right angle	female	DM537435004NCLF	-	DM537436NCLF	-			

Contact Type		Part Numbers				Wire						
		Soldered Screen	NFC 93569 KMX4	Crimped Screen	NFC 93569 KMX4	G	H	I	J	K	L	M (max.)
Straight	male	DM537405002NCLF	-	DM537403NCLF	-	0.30	2.60	3.58	9.70	7.90	2	3.14
	female	DM537425002NCLF	-	DM537423NCLF	-							
Straight	male	DM537405005NCLF	-	DM537405NCLF	-	0.90	2.95	4.95	9.50	7.90	2	3.81
	female	DM537425004NCLF	-	DM537425NCLF	-							
Right angle	female	DM537435004NCLF	-	DM537436NCLF	-				10.70		2.40	

**D-SUBMINIATURE MIXED AND FULL POWER DW SERIES**

**μTCA – HIGH POWER I/O PCB CONNECTORS**

**OVERVIEW**

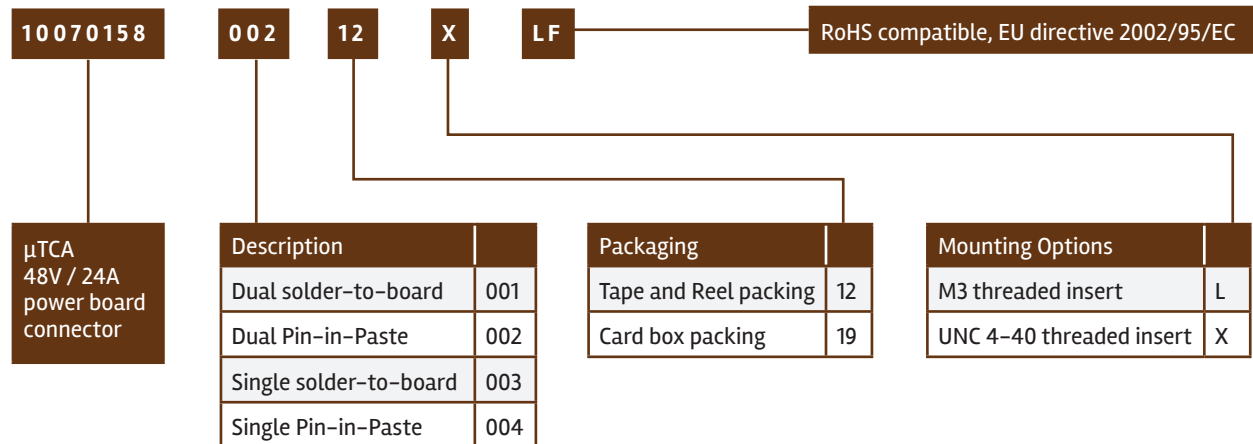
This power module I/O connectors for 48V applications are designed in accordance with μTCA specifications. The robust D-Subminiature concept based on simplified and cost effective Delta D design combines power contacts able to handle up to 24A with signal contacts. PCB connectors are proposed in traditional solder-to-board and Pin-in-Paste versions for optimized applied cost. Specific to the design of FCI is the fact that the connector’s compact footprint allows for more space on the PCB for other components.



**FEATURES**

- 48V / 24A (shell size A)
- FMLB (First Mate Last Brake) functionality for hot plugging
- Field repairable

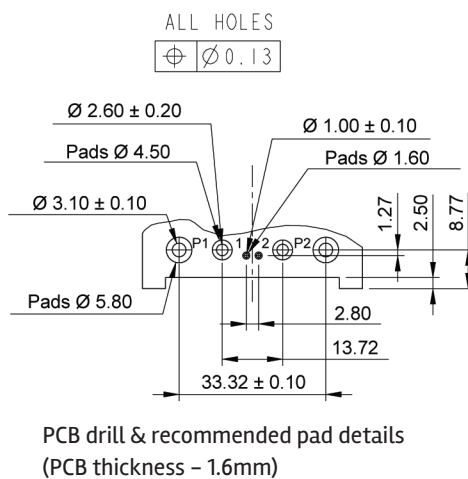
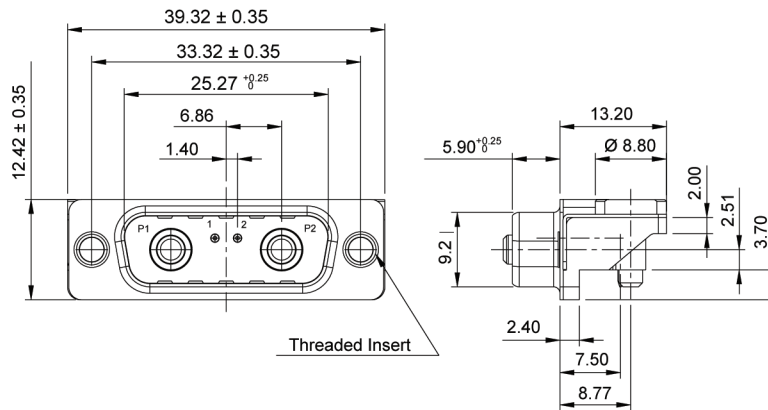
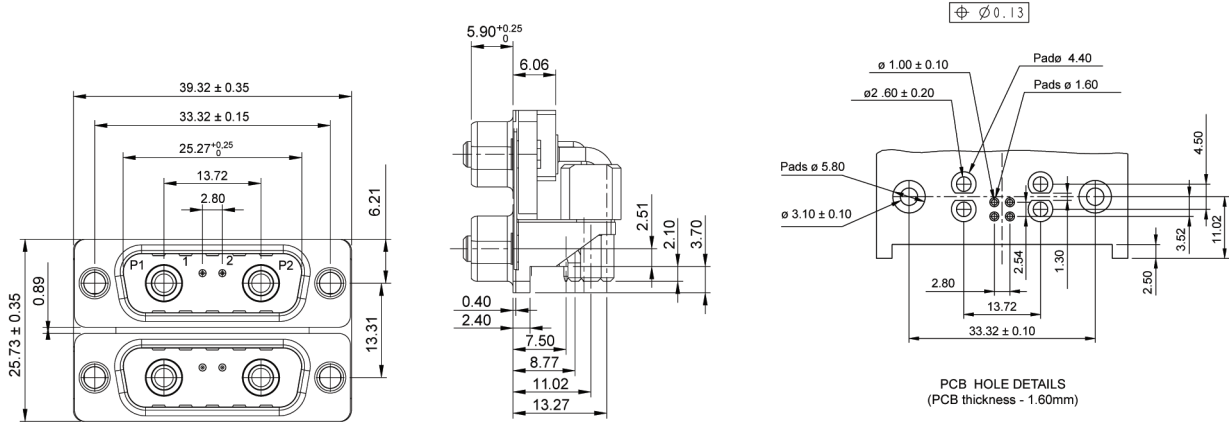
**ORDERING INFORMATION**



**D-SUBMINIATURE MIXED AND FULL POWER DW SERIES**

**μTCA – HIGH POWER I/O PCB CONNECTORS**

**PRODUCT DRAWING**



**D-SUBMINIATURE MIXED AND FULL POWER DW SERIES**

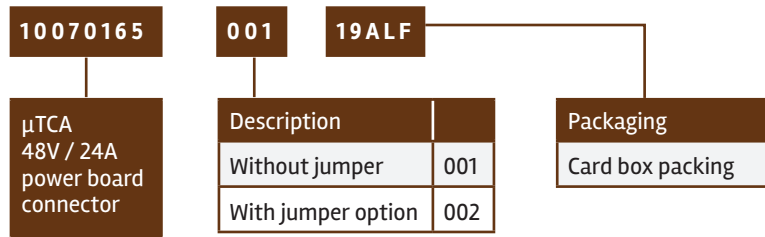
# μTCA – HIGH POWER I/O CABLE CONNECTORS

## FEATURES

- Field reparable
- Touch proof
- Stackable hoods with high retention devices
- Cost saving jumper option for signal contacts



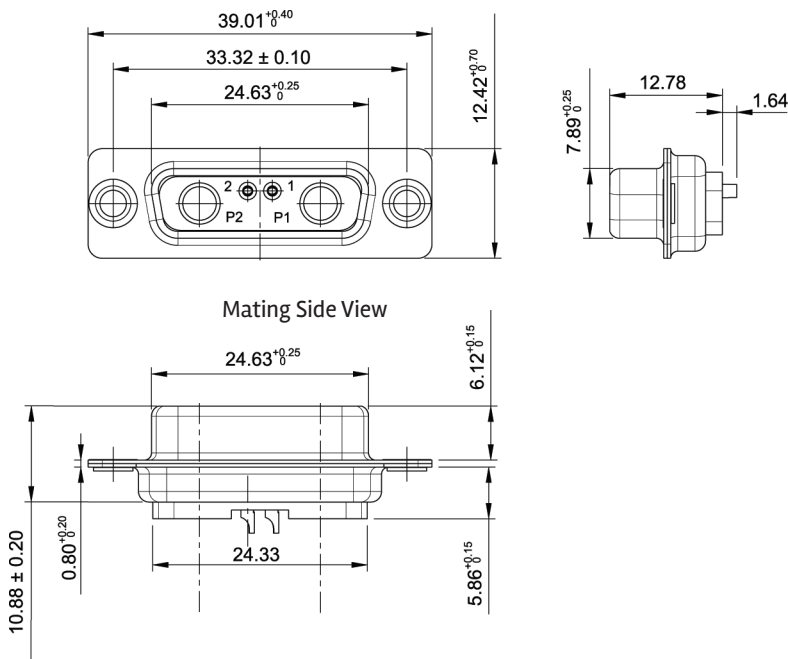
## ORDERING INFORMATION



## POWER CONTACTS

Description	Part Number
30A crimp contacts	8638PSC3005LF
40A solder bucket contacts	8638PSS4005LF

## PRODUCT DRAWING



For more information,  
please contact: [Communications@fci.com](mailto:Communications@fci.com)  
or visit us at [www.fci.com](http://www.fci.com)

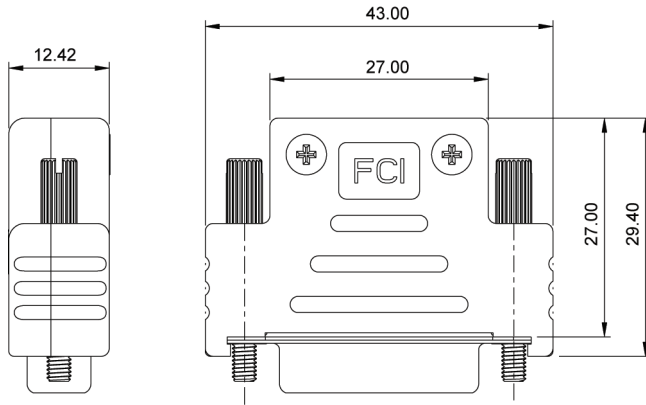
**Disclaimer**

Please note that the above information is subject to change without notice.

**▶ D-SUBMINIATURE MIXED AND FULL POWER DW SERIES**

# **μTCA – HIGH POWER I/O CABLE CONNECTORS**

## **HOOD (STACKABLE HOOD AND SLIM DESIGN)**



Description	Part Number
HOOD (stackable hood and slim design)	10070163 – 001LF

INODSUBMFDW0813EA4