



SlimSeal | SlimSeal Miniature Connectors

TE Internal #: 2-2834068-2

SlimSeal Miniature Connectors, Ballast Connectors, Connector, Crimp, Wire-to-Wire, 2.5mm Centerline, Sealable, Wire & Cable, 18 – 22AWG Wire Size

[View on TE.com >](#)

Connectors > Lighting Connectors > Ballast Connectors



Lighting Product Type: **Connector**

Termination Method to Wire & Cable: **Crimp**

Connector System: **Wire-to-Wire**

Centerline (Pitch): **2.5 mm**

Sealable: **Yes**

Features

Product Type Features

Lighting Product Type	Connector
Connector System	Wire-to-Wire
Sealable	Yes
Connector & Contact Terminates To	Wire & Cable

Electrical Characteristics

Operating Voltage (Max)	400 VAC
-------------------------	---------

Contact Features

Contact Mating Area Plating Material	Tin
Contact Current Rating (Max)	5 A

Termination Features

Termination Method to Wire & Cable	Crimp
------------------------------------	-------

Housing Features

Centerline (Pitch)	2.5 mm
--------------------	--------



Dimensions

Wire Size	18 – 22 AWG
-----------	-------------

Usage Conditions

Operating Temperature Range	-40 – 105 °C
-----------------------------	--------------

Industry Standards

Agency/Standard	UL
Agency/Standard Number	UL 1977

Product Compliance

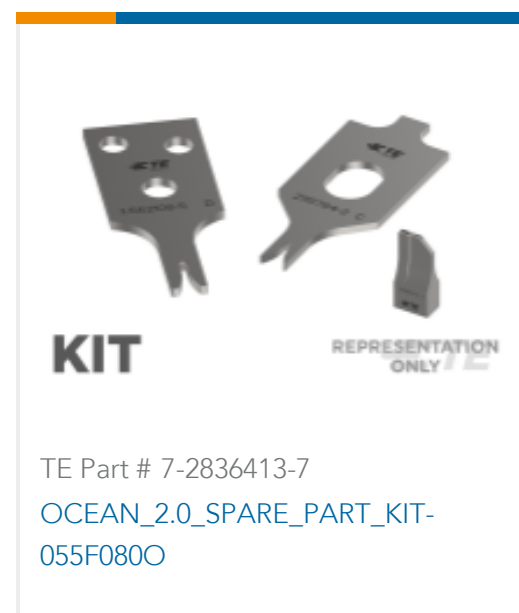
[For compliance documentation, visit the product page on TE.com>](#)

EU RoHS Directive 2011/65/EU	Compliant
EU ELV Directive 2000/53/EC	Compliant
China RoHS 2 Directive MIIT Order No 32, 2016	No Restricted Materials Above Threshold
EU REACH Regulation (EC) No. 1907/2006	Current ECHA Candidate List: JUL 2021 (219) Candidate List Declared Against: JUL 2021 (219) Does not contain REACH SVHC
Halogen Content	Low Halogen - Br, Cl, F, I < 900 ppm per homogenous material. Also BFR/CFR/PVC Free
Solder Process Capability	Not applicable for solder process capability

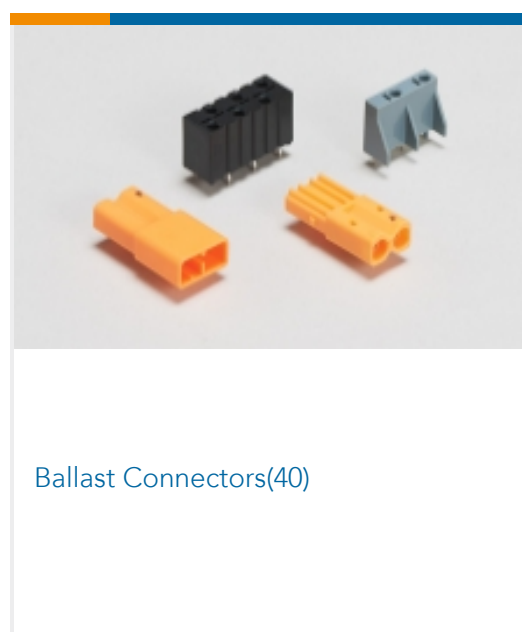
Product Compliance Disclaimer

This information is provided based on reasonable inquiry of our suppliers and represents our current actual knowledge based on the information they provided. This information is subject to change. The part numbers that TE has identified as EU RoHS compliant have a maximum concentration of 0.1% by weight in homogenous materials for lead, hexavalent chromium, mercury, PBB, PBDE, DBP, BBP, DEHP, DIBP, and 0.01% for cadmium, or qualify for an exemption to these limits as defined in the Annexes of Directive 2011/65/EU (RoHS2). Finished electrical and electronic equipment products will be CE marked as required by Directive 2011/65/EU. Components may not be CE marked. Additionally, the part numbers that TE has identified as EU ELV compliant have a maximum concentration of 0.1% by weight in homogenous materials for lead, hexavalent chromium, and mercury, and 0.01% for cadmium, or qualify for an exemption to these limits as defined in the Annexes of Directive 2000/53/EC (ELV). Regarding the REACH Regulation, the information TE provides on SVHC in articles for this part number is based on the latest European Chemicals Agency (ECHA) 'Guidance on requirements for substances in articles' posted at this URL: <https://echa.europa.eu/guidance-documents/guidance-on-reach>

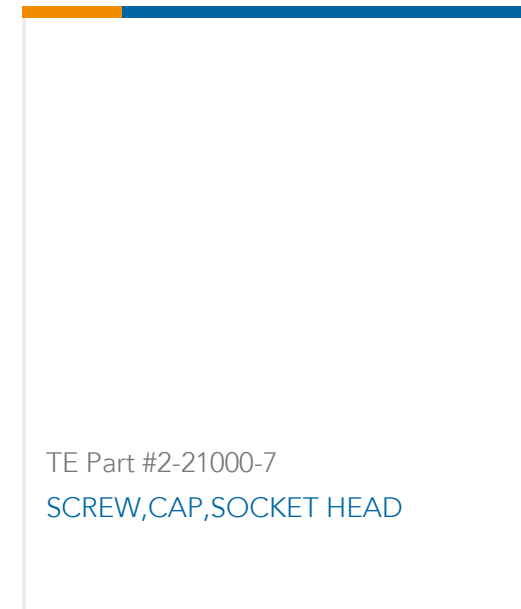
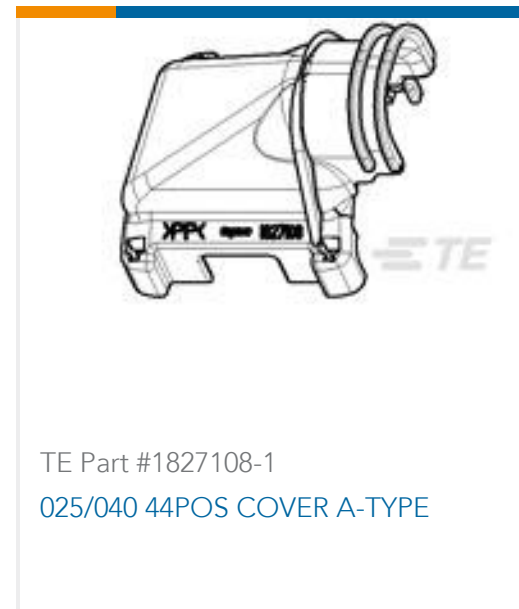
Compatible Parts



Also in the Series | SlimSeal Miniature Connectors



Customers Also Bought



Documents

Product Drawings

PIN CONTACT,MINIATURE WATERPROOF CONN

English

CAD Files

3D PDF

3D

Customer View Model

[ENG_CVM_CVM_2-2834068-2_A.2d_dxf.zip](#)

English

Customer View Model

[ENG_CVM_CVM_2-2834068-2_A.3d_igs.zip](#)

English

Customer View Model

[ENG_CVM_CVM_2-2834068-2_A.3d_stp.zip](#)

English

By downloading the CAD file I accept and agree to the [Terms and Conditions](#) of use.

Datasheets & Catalog Pages

SlimSeal Connector Miniature Series

English

SlimSeal Connector Miniature Series

SlimSeal MiniSeal connector flyer (Chinese)

Product Specifications

Application Specification

English



Instruction Sheets

Instruction Sheet (non U.S.)

English