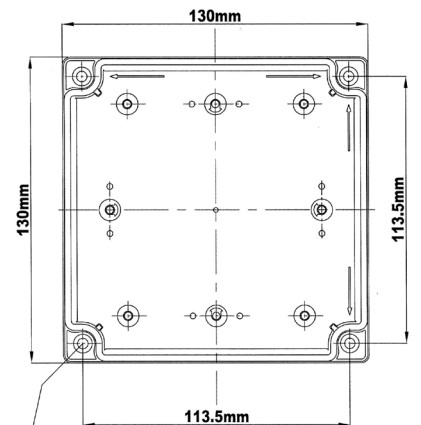
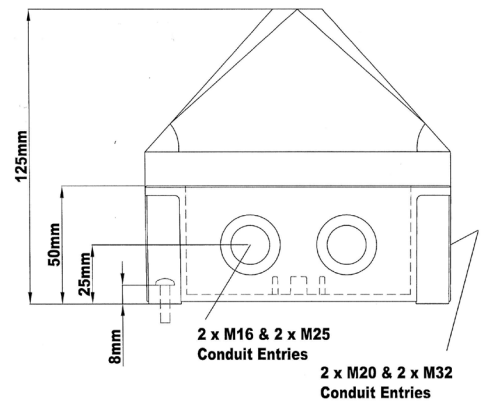


Visual Signals - Industrial & Marine

LIGHT EMITTING DIODE BEACONS



View into Base with lens removed

Industrial & Marine LED Beacons > LED701/700 Series

Product overview

The LED701/700 series is suitable for Industrial & Marine signalling applications where a more powerful visual signal is required. The unit incorporates 64 off extra bright, long life LED's and offers a high output low maintenance signalling solution.

These beacons have three pre-selectable stages of alarm. Flashing mode at either

60 or 120 FPM and a continuous (static) mode. These can be pre-set by a jumper link on the PCB. The design allows for a third wire control that can switch from continuous mode to pre-set flashing mode.

Termination is inside the enclosure via conduit knockouts on the sides of the unit and can incorporate M16 up to M32 cable glands.

Features

- Continuously rated
- High light output
- Suitable for surface or wall mounting
- 120° prime light output above the vertical axis
- High ambient operating temperature
- Dual Colour LED option
- Ambient Light Detection Option - Longer Life
- Dustproof and weatherproof

Material

UV Stable Polycarbonate Lens
UV Stable Polycarbonate Base

LED701/700 Series > Ordering Information

| Code No: | Voltage: | Light Source: | Current: |
|-----------|--------------------------------|---------------|----------|
| LED701-02 | 20-30v Ac/Dc ~ | 64 SMT LEDs | 0.350 A |
| LED700-05 | 40-380v Dc --- 85-280v Ac ~ | 64 SMT LEDs | 0.06 A • |

• @ 230v Ac

ADD THE FOLLOWING LENS CODES TO THE PRODUCT WHEN ORDERING



Kg 0.46

50/60 Hz

°C -25+65

IP 66/67

FPM ≤120

INDUSTRIAL

APPROVALS and CONFORMITIES



MARINE