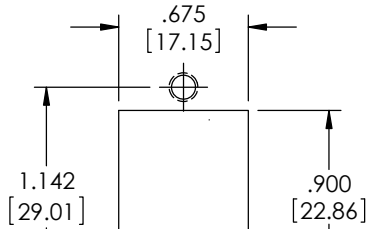


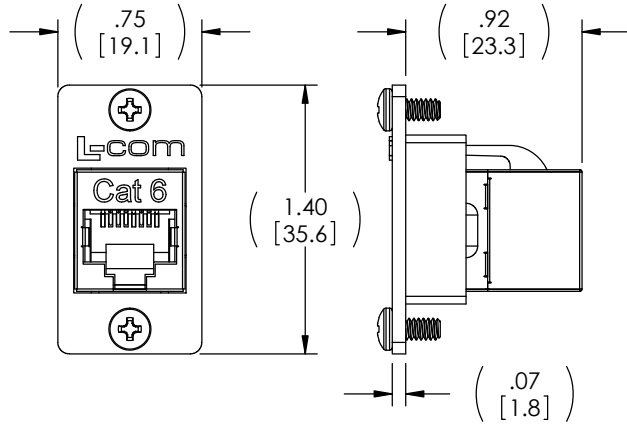
THE INFORMATION CONTAINED IN THIS DRAWING IS THE SOLE PROPERTY OF L-COM, INC. ANY REPRODUCTION IN PART OR WHOLE WITHOUT THE WRITTEN PERMISSION OF L-COM, INC. IS PROHIBITED.

REVISIONS			
REV	DESCRIPTION	DATE	APPROVED
A	INITIAL RELEASE	12/07/16	D. DESJARDIN



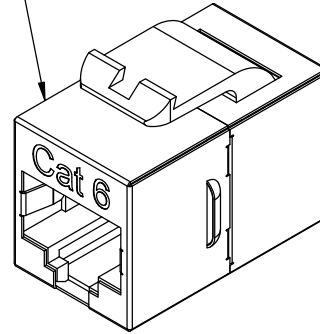
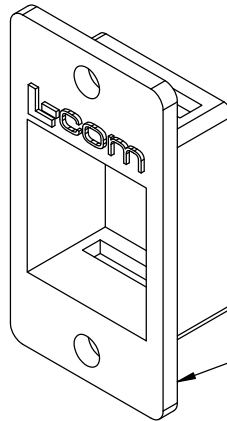
2X #4-40 UNC-2B THRU

**RECOMMENDED  
PANEL OPENING**

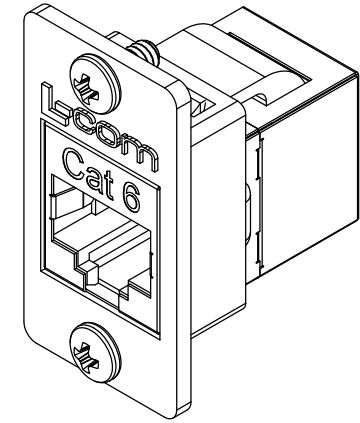


MINI CAT 6 RJ45 KEYSTONE COUPLER  
(L-COM P/N: TDG1026KS-C6-MINI)

2X 4-40UNC-2A  
X 1/4" LONG



FLANGE MOUNTED KEYSTONE ADAPTOR



**KIT SHOWN FULLY ASSEMBLED FOR CLARITY  
(KIT IS SHIPPED UN-ASSEMBLED)**

KIT INCLUDES:

- 1- COUPLER
- 1- FLANGE ADAPTOR
- 1- PACKAGE MOUNTING SCREWS (4-40x 1/4")

**NOTES:**

**MATERIAL:**

FLANGED ADAPTOR: ZINC ALLOY  
HARDWARE: STAINLESS STEEL.

**FINISH:**

FLANGED ADAPTOR: NICKEL PLATE.

**MISCELLANEOUS:**

CURRENT RATING: 1.5A

**PACKAGING:**

KITS SHALL BE INDIVIDUALLY PACKAGED IN ACCORDANCE WITH L-COM PACKAGING SPECIFICATION PS-0031.

**REGULATORY COMPLIANCE:**

CE2011/65/EU (RoHS DIRECTIVE)

UNLESS OTHERWISE SPECIFIED, DIMENSIONS ARE IN INCHES [mm] OVERALL CABLE LENGTH TOLERANCE: ≤12 [305] = +1 [25] / -0 >12 [305] ≤60 [1524] = +2 [51] / -0 >60 [1524] ≤120 [3048] = +4 [102] / -0 >120 [3048] ≤300 [7620] = +6 [152] / -0 >300 [7620] = +5% / -0% ALL OTHER DIMENSIONAL TOLERANCES: .X = ±.2 [5.08] .XX = ±.02 [51] .XXX = ±.005 [1.27]	APPROVALS	DATE	50 HIGH STREET NORTH ANDOVER, MA 01845		
	DRAWN BY D. DESJARDIN	12/05/16			CATEGORY
	CHECKED BY D. FRISIELLO	12/06/16	APPROVED BY D. GUITTAURO	12/07/16	PRODUCT DESCRIPTION
	PROJECTION	CONFIGURATION DETAILS OF UNDIMENSIONED FEATURES MAY VARY	COLOR VARIATIONS MAY OCCUR	SIZE <b>A</b>	FSCM NO. <b>43321</b>
				DWG. NO. ECF504-SC6-MINI	
				REV. <b>A</b>	
		SCALE: NONE		CAD FILE: ECF504-SC6-MINI.SLDDRW	
				SHEET 1 OF 1	