

## **Back Boxes**



### **Back boxes**

Our range of plastic back boxes are cost effective solutions for a wide range of surface mount applications. Manufactured in tough ABS, they are much less brittle than traditional electrical back boxes and, so, less prone to damage during installation.

Single gang variants are designed for use with 86mm x 86mm faceplates and are available in four depths (21mm, 32mm, 37mm and 45mm).

Double gang variants accept 146mm x 86mm faceplates and are available in three depths (32mm, 37mm and 45mm).

The standard colour for all variants is bright white but 3L32bk and 3L32G2bk are also available in black.

All variants feature a selection of mounting holes for ease of installation. There are cable entry knockouts on all sides of the back box as well as the base for maximum flexibility.

**Colour:** Black (RAL 9011), White (RAL 9003)

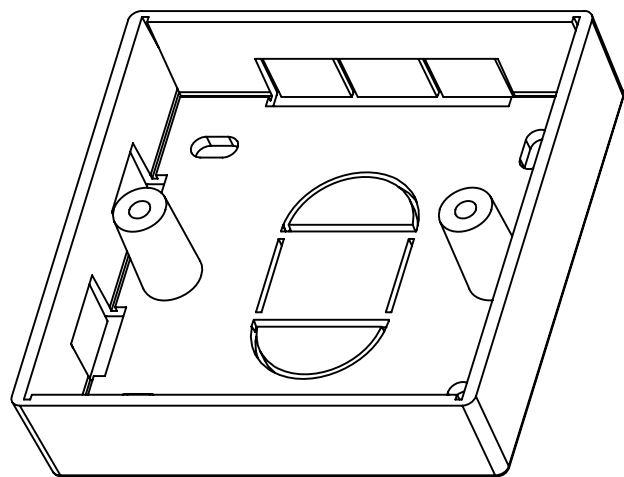
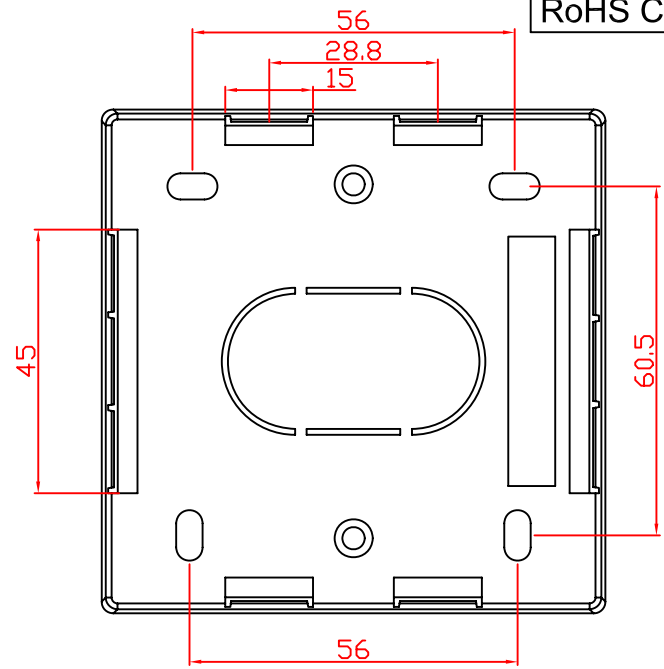
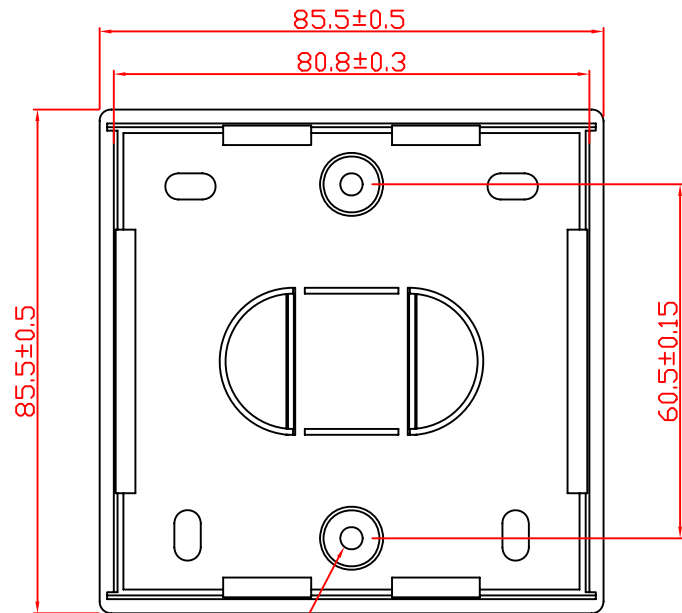
**Commodity Code:** 94051021

**Country of Origin:** China

01/11/2022

<b>Code(s)</b>	<b>Description</b>	<b>Packaging</b>	<b>Dimensions – Weight (including packaging)</b>	<b>EAN Number</b>
3L21	21mm deep (18mm internal clearance) single gang pattress backing box	Individual poly bags and then in cartons of 20.	88 x 90 x 22mm 32g	5055386503190
3L32 / 3L32bk	32mm deep (29mm internal clearance) single gang pattress backing box available in black and white	Individual poly bags and then in cartons of 20.	88 x 89 x 33mm 44g	5055386502940 / 5055386501196
3L32#10 / 3L32bk#10	32mm deep (29mm internal clearance) single gang pattress backing box available in black and white. Reduced packaging option (in 10s)	Supplied in cartons of 10.	188 x 190 x 100mm 494g	5055386509987 / 5055386509994
3L32G2 / 3L32G2bk	32mm deep (29mm internal clearance) double gang pattress backing box available in black and white	Individual poly bags and then in cartons of 10.	147 x 87 x 33 70g	5055386505651 / 5055386509970
3L32G2#10 / 3L32G2bk#10	32mm deep (29mm internal clearance) double gang pattress backing box available in black and white. Reduced packaging option (in 10s)	Supplied in cartons of 10.	335 x 100 x 155mm 800g	5055386510006 / 5055386510013
3L37	37mm deep (34mm internal clearance) single gang pattress backing box	Individual poly bags and then in cartons of 20.	86 x 87 x 38mm 50g	5055386502827
3L37G2	37mm deep (34mm internal clearance) double gang pattress backing box	Individual poly bags and then in cartons of 10.	146 x 88 x 38mm 80g	5055386502841
3L45	45mm deep (42mm internal clearance) single gang pattress backing box	Individual poly bags and then in cartons of 20.	86 x 87 x 46mm 56g	5055386504135
3L45bk	45mm deep (42mm internal clearance) single gang pattress backing box, black	Individual poly bags and then in cartons of 20.	86 x 87 x 46mm 56g	5055386510327
3L45#10	45mm deep (42mm internal clearance) single gang pattress backing box. Reduced packaging option (in 10s)	Supplied in cartons of 10.	235 x 100 x 105mm 653g	5055386510020
3L45G2	45mm deep (42mm internal clearance) double gang pattress backing box	Individual poly bags and then in cartons of 10.	146 x 86 x 46mm 86g	5055386502957
3L45G2#10	45mm deep (42mm internal clearance) double gang pattress backing box. Reduced packaging option (in 10s)	Supplied in cartons of 10.	465 x 165 x 100mm 1000g	5055386502957

RoHS COMPLIANT



### 86X86mm BACK BOX

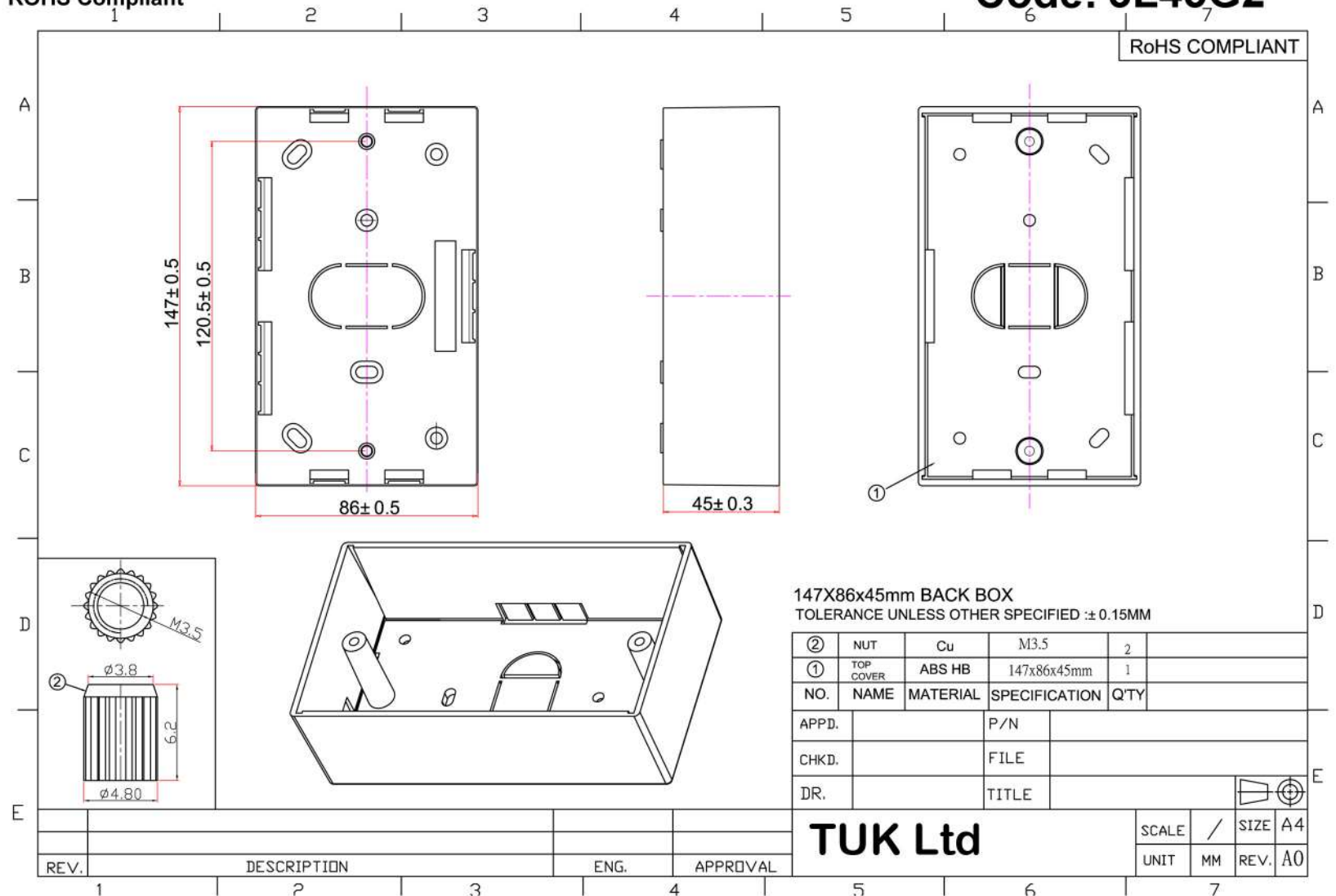
TOLERANCE UNLESS OTHER SPECIFIED :± 0.15MM

②	NUT	Cu	M3	2	ZTAWPN2XX
①	TOP COVER	ABS	86x86mm	1	AHBACK86XXXX
NO.	NAME	MATERIAL	SPECIFICATION	Q'TY	REMARK
APPD.			P/N	3L32bk(black), 3L32(white)	
CHKD.			FILE		
DR.			TITLE	TA	

REV.	DESCRIPTION	ENG.	APPROVAL
1			
2			
3			
4			

TUK Ltd

SCALE	/	SIZE	A4
UNIT	MM	REV.	A0

**ROHS Compliant**
**Code: 3L45G2**

**147X86x45mm BACK BOX**  
 TOLERANCE UNLESS OTHER SPECIFIED :±0.15MM

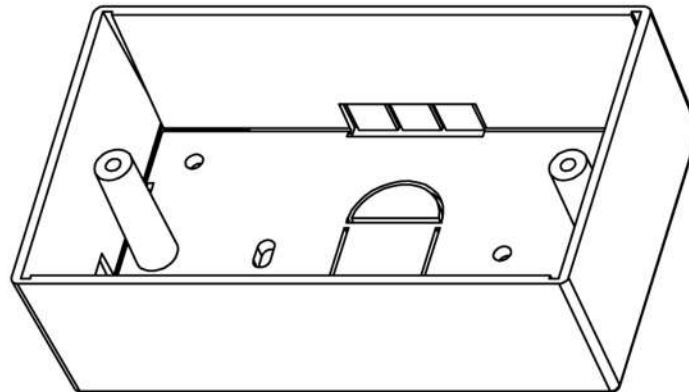
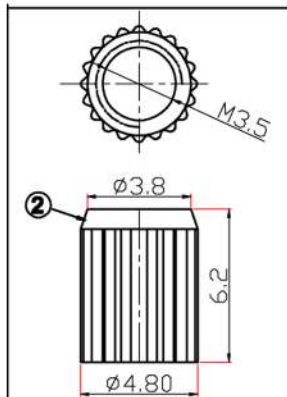
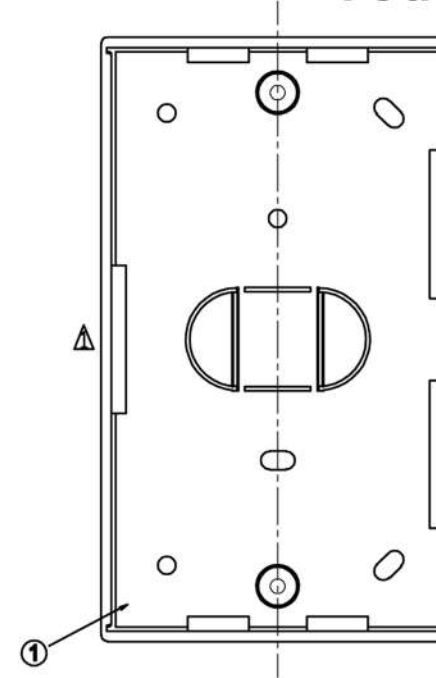
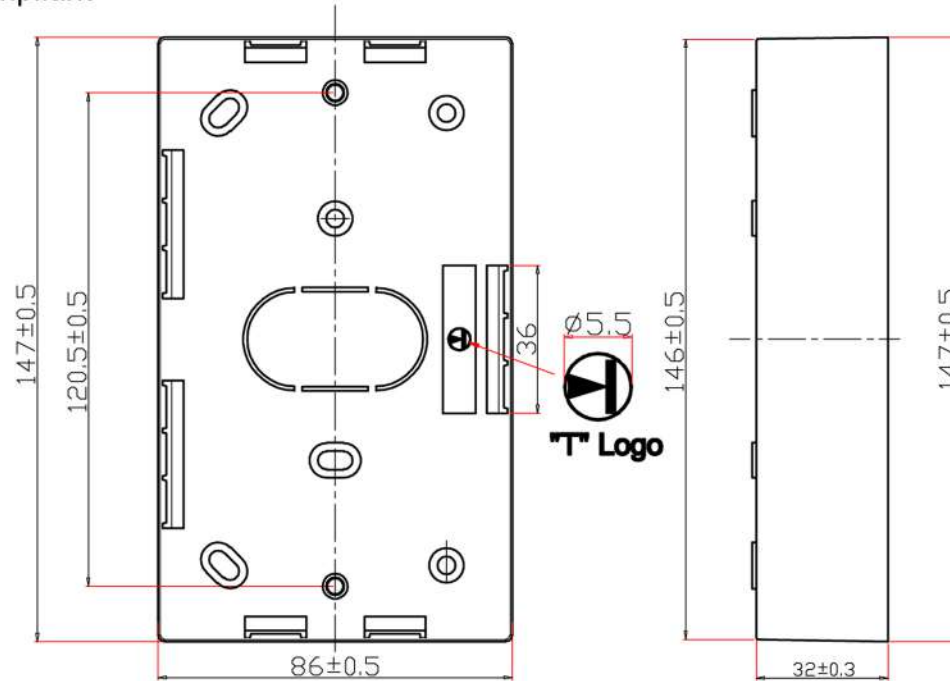
②	NUT	Cu	M3.5	2	
①	TOP COVER	ABS HB	147x86x45mm	1	
NO.	NAME	MATERIAL	SPECIFICATION	Q'TY	
APPD.			P/N		
CHKD.			FILE		
DR.			TITLE		

**TUK Ltd**

SCALE	/	SIZE	A4
UNIT	MM	REV.	A0

ROHS Compliant

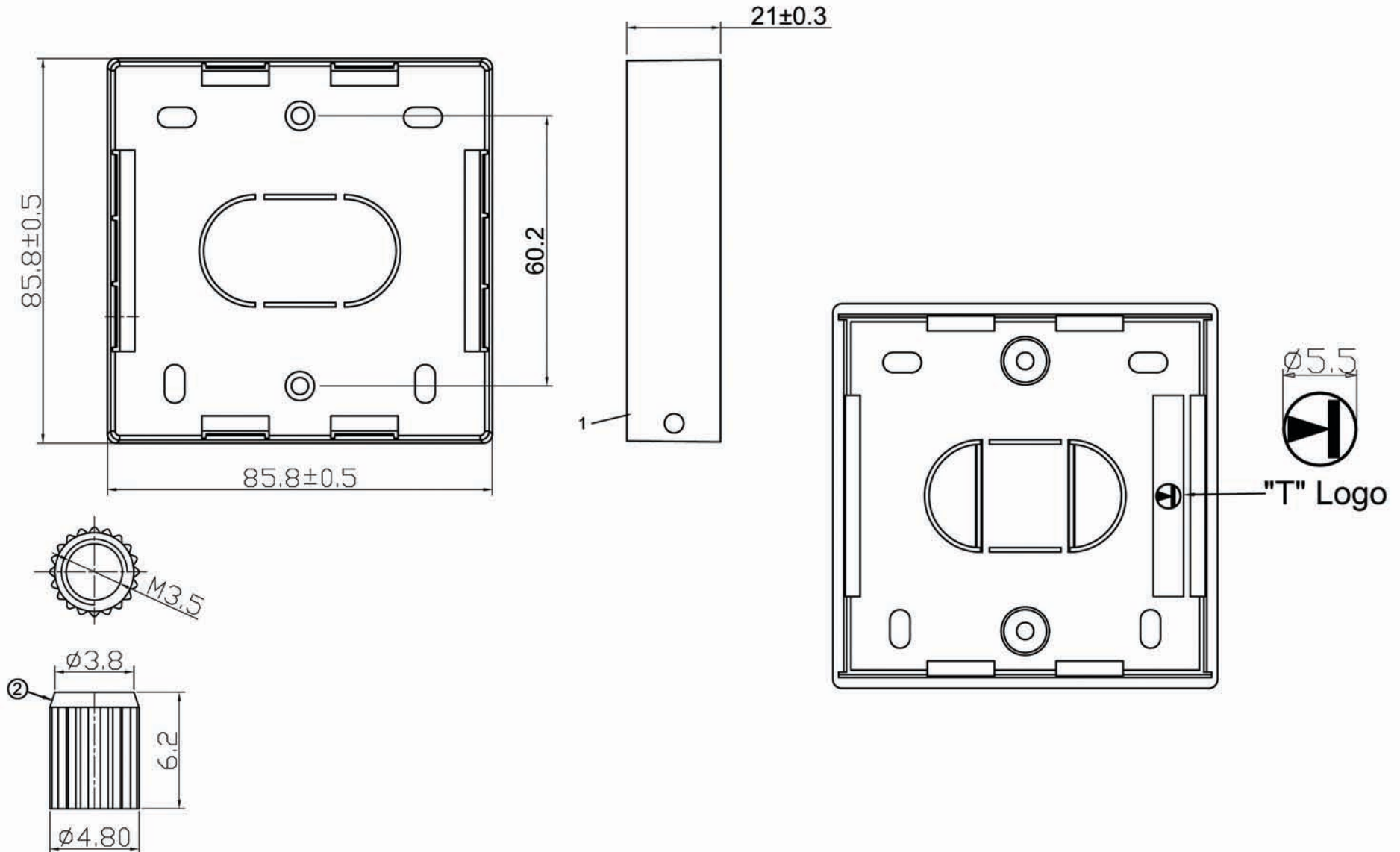
**Code: 3L32G2**  
**3L32G2bk**



**147X86mm BACK BOX**  
TOLERANCE UNLESS OTHER SPECIFIED : $\pm 0.15$ MM

NO.	NAME	MATERIAL	SPECIFICATION	QTY
②	NUT	Cu	M3.5	2
①	TOP COVER	ABS HB	147x86mm	1

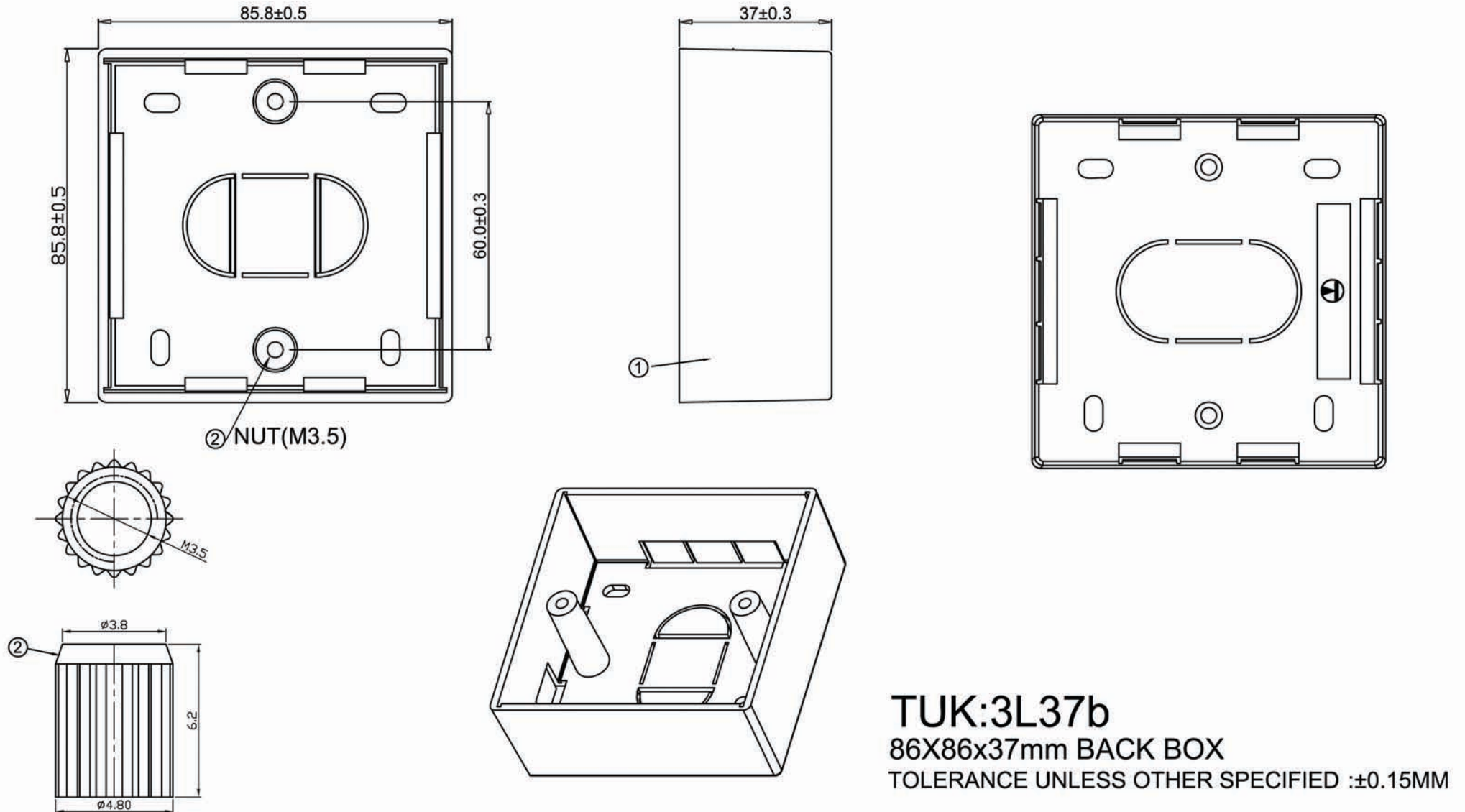
ROHS Compliant

**Code: 3L21**

TUK Ltd, Unit 4, Wimbledon Stadium Business Centre, Riverside Road, London, SW17 0BA

Tel: 020 8946 6688 Fax: 020 8879 7410 Email: [sales@tuk.co.uk](mailto:sales@tuk.co.uk) Website: [www.tuk.co.uk](http://www.tuk.co.uk)

ROHS Compliant

**Code: 3L37**

TUK Ltd, Unit 4, Wimbledon Stadium Business Centre, Riverside Road, London, SW17 0BA

Tel: 020 8946 6688 Fax: 020 8879 7410 Email: sales@tuk.co.uk Website: www.tuk.co.uk

ROHS Compliant

Code: 3L45, 3L45bk

