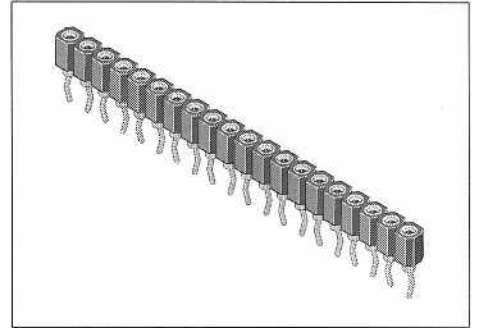


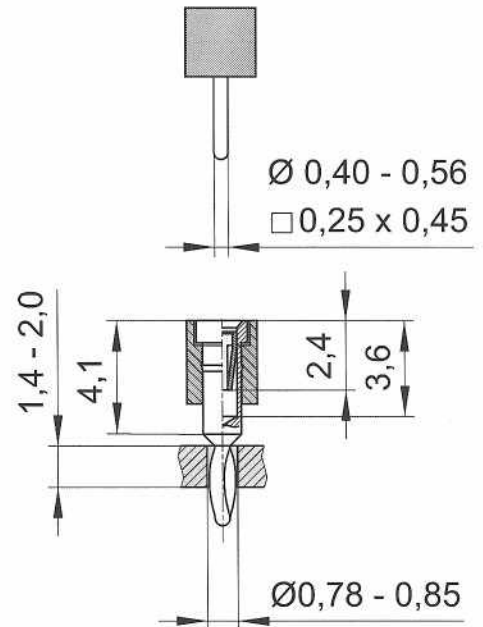
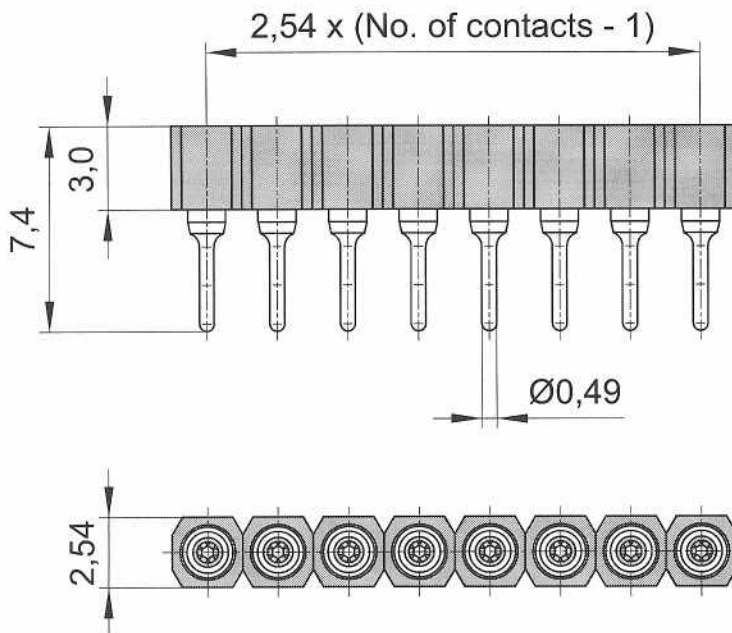
MS Sockelstreifen / MS Socketstrip

Technical data:

Insulator:	High Temp. thermoplastic Self-extinguishing, rated UL94-V0
Sleeve:	brass, Tin plated
Clip:	BeCu, 0,75 µm Gold plated
Current rating:	1 Amp.
Insulation resistance:	>10 ¹² Ohm
Contact resistance:	10 mOhm max.
Dielectric withstanding:	1000 V _{RMS} min.
Operating temperature:	-55°C to +125°C
Max. processing temperature:	260°C for 10 seconds



RoHS-compliant



MS xx STG B 8 R U