

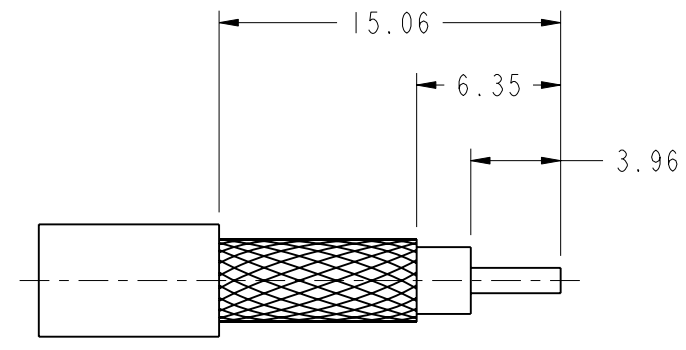
NOTES:

1. MATERIALS AND FINISHES(PLATING THICKNESS IN MICRO-INCHES):
 BODY - BRASS, NICKEL PLATING
 CONTACT - BRASS, GOLD PLATING
 INSULATOR - PTFE, NATURAL
2. ELECTRICAL:
 A. IMPEDANCE: 50 OHM
 B. FREQUENCY RANGE: DC 0-4 GHz
 C. DIELECTRIC WITHSTANDING VOLTAGE: 1500 VRMS, MIN.
3. MECHANICAL:
 A. DURABILITY: 500 CYCLES MIN.
 B. TEMPERATURE RANGE: - 65 °C to +165 °C
4. SOLDER CONTACT TO CABLE
 WHEN CRIMPING CONTACT TO CABLE, CRIMP WITH AMPHENOL TOOL 227-944 (M22520/5-01) AND DIE SET 227-1221-11, CAVITY 'B' (M22520/5-11, CLOSURE 'B')
5. WHEN CRIMPING FERRULE TO CABLE, CRIMP WITH AMPHENOL TOOL 227-944 (M22520/5-01) AND DIE SET 227-1221-11, CAVITY 'A' (M22520/5-11, CLOSURE 'A')

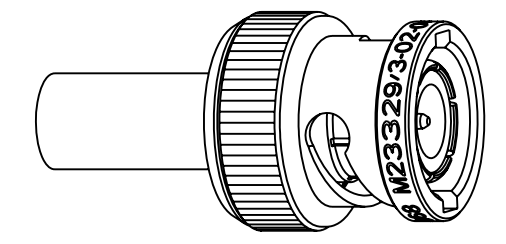
THIRD ANGLE PROJ.

REVISIONS

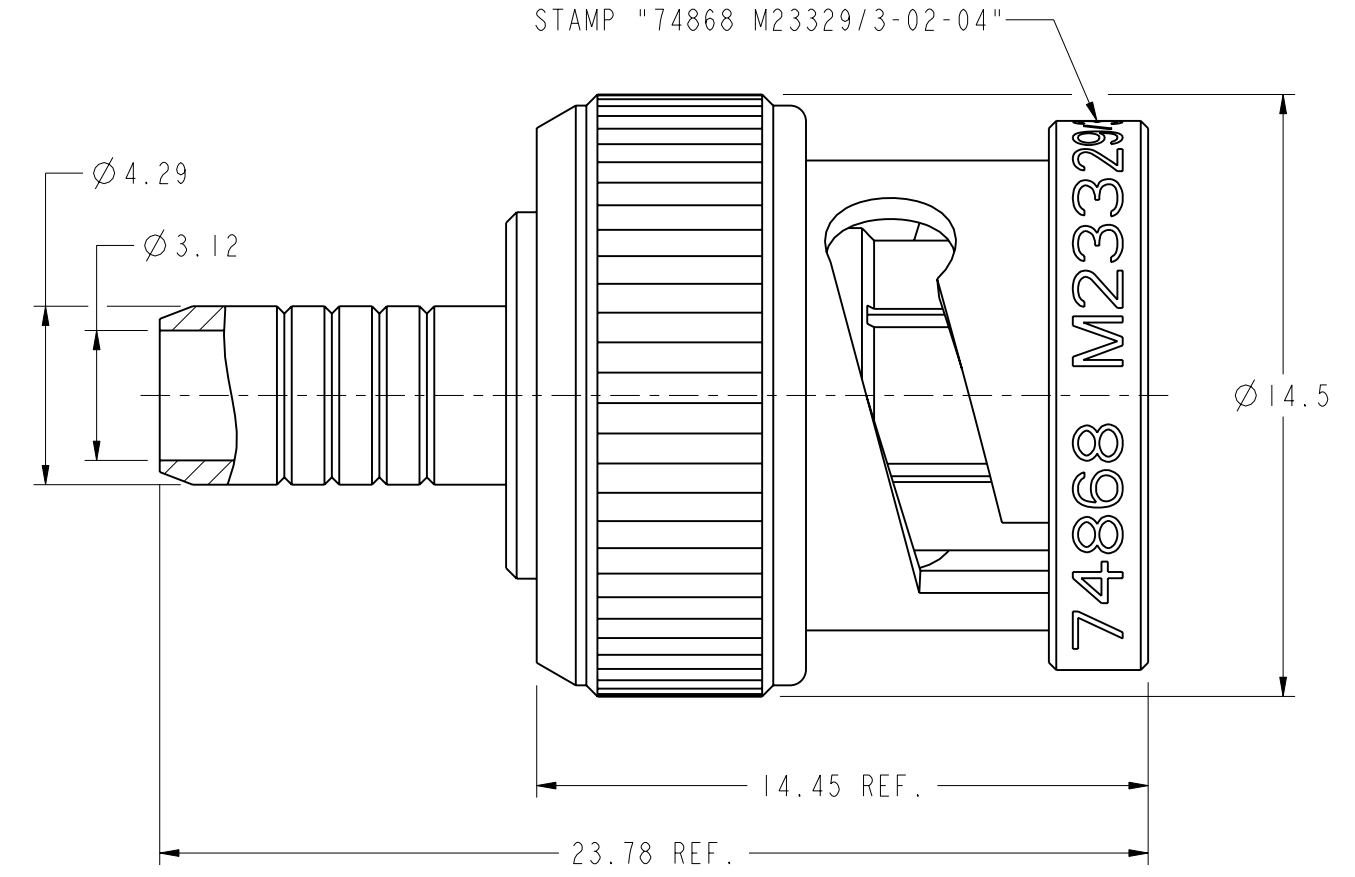
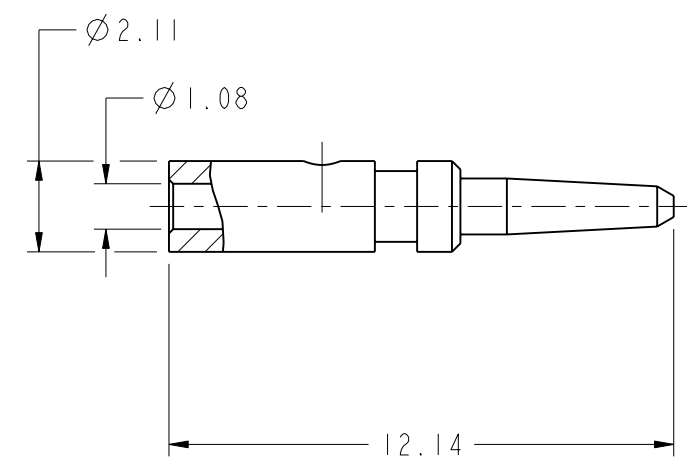
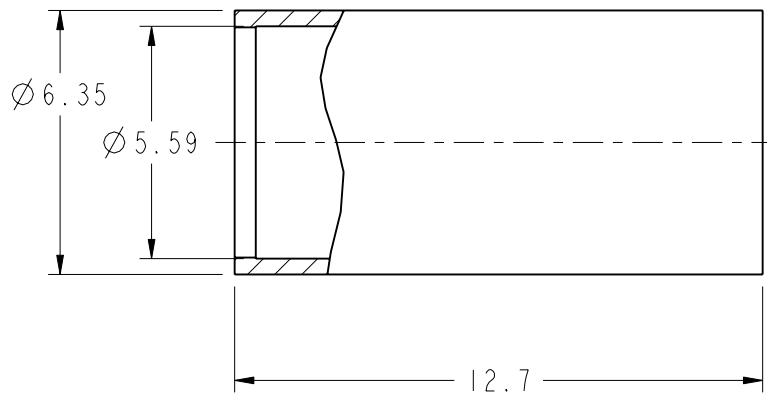
REV	DESCRIPTION	DATE	ECO	APPR
B	SEE SHEET 1	19-Mar-04		
BI	SEE SHEET 1	30-Jun-05		
C	SEE SHEET 1	28-Feb-08		AW
U	REDRAWN TO UPDATE FORMAT	11-Dec-08	47247	SH
V	SEE SHEET 1	17-Mar-10	47921	SH
W	NOTE 4 WAS CHANGED\RD-DM1101100IT1	12-Jan-11	48420	SH



RECOMMENDED CABLE STRIPPING DIMENSIONS
SCALE 3.000



SCALE 2.000



CUSTOMER OUTLINE DRAWING
ALL OTHER SHEETS ARE FOR INTERNAL USE ONLY

UNLESS OTHERWISE SPECIFIED, DIMENSIONS ARE IN METRIC AND TOLERANCES ARE: <0.5mm ±0.05mm 0.5 - 6mm ±0.1mm 6 - 30mm ±0.2mm 30 - 120mm ±0.3mm ANGLES ±1° NOTICE - These drawings, specifications, or other data (1) are, and remain the property of Amphenol corp. (2) must be returned upon request; and (3) are confidential and not to be disclosed to any person other than those to whom they are given by Amphenol Corp. the furnishing of these drawings, specifications, or other data by Amphenol Corp., or to any other person to anyone for any purpose is not to be regarded by implication or otherwise in any manner licensing, granting rights to permitting such holder or any other person to manufacture, use or sell any product, process or design, patented or otherwise, that may in any way be related to or disclosed by said drawings, specifications, or other data.	MATERIAL	DRAWN T. DENG	DATE 12-Jan-11	TITLE BNC PLUG MIL-CRIMP 23329 (FOR RG-142/U, 223/U CABLE) SCALE: 5.5:1.0 SHEET 2 OF 2	Amphenol RF Danbury CT USA, Tainan, Taiwan, Shenzhen, China www.amphenolrf.com
	REFERENCE	ENGINEER C. WANG	DATE 20-Jan-10		
	FINISH	APPROVED S. HSIEH	DATE 12-Jan-11	DWG SIZE B	REV W
		I: BNC/31-326			DRAWING NO. 31-326 ITEM NO. 31-326 PART NO. 31-326