



EtherNet/IP to Modbus Gateway

ICDM-RX/EN1-2ST/RJ45-DIN

- DIN-rail mounting and screw terminal connectors
- EtherNet/IP to Modbus TCP, Modbus TCP to EtherNet/IP, and Modbus to Modbus communications
- Advanced Modbus gateway and routing capabilities
- Data Mapping sub-system and a built-in Modbus concentrator
- Web-based configuration
- RS-232/422/485 software selectable interfaces
- NEMA TS2 Certified

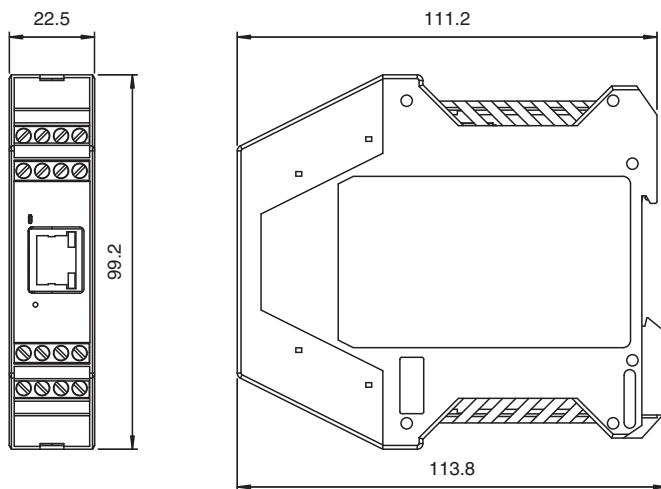
EtherNet/IP to Modbus Gateway 2-port DIN Screw Terminal



Function

The ICDM-RX/EN1 gateway enables the connection of serial devices (RS-232 / RS-422 / RS-485) such as barcode scanners, RFID readers and weigh scales to both EtherNet/IP and Modbus networks. It combines an EtherNet/IP interface with a Modbus gateway functionality and a built-in programmable data mapping sub-system, that ties everything together and doubles as a Modbus concentrator. The embedded web pages provide extensive diagnostics, intuitive and flexible configuration options, secure interfaces and numerous maintenance options. The result is a highly flexible gateway that allows full integration of EtherNet/IP controllers into simple or complex Modbus networks. EtherNet/IP controllers such as PLCs, HMIs, SCADAs and OPC servers can communicate to almost any Modbus master or slave, either locally or remotely.

Dimensions



Technical Data

General specifications	
UL File Number	E185802
Functional safety related parameters	
MTBF	58.6 a
Indicators/operating means	
LED indication	see manual
Electrical specifications	
Rated operating voltage	U _e 5 ... 30 V DC
Nominal voltage	24 V DC
Interface	
Interface type	Software selectable interfaces: RS-232 , RS-422 , RS-485 (2 and 4-wire)

Release date: 2021-03-31 Date of issue: 2021-03-31 Filename: 70114036_eng.pdf

Refer to "General Notes Relating to Pepperl+Fuchs Product Information".

Pepperl+Fuchs Group
www.pepperl-fuchs.com

USA: +1 330 486 0001
fa-info@us.pepperl-fuchs.com

Germany: +49 621 776 1111
fa-info@de.pepperl-fuchs.com

Singapore: +65 6779 9091
fa-info@sg.pepperl-fuchs.com

PEPPERL+FUCHS

Technical Data

Physical	2 x Screw Terminal
Protocol	MODBUS
Supported baud rates	300 bps to 230Kbps
Interface 1	
Interface type	Industrial Ethernet
Physical	1 x RJ45
Protocol	EtherNet/IP
Additional protocols	ARP, BOOTP, DHCP/RARP, HTTP, HTTPS, SSH, SSL/TLS, ICMP, RFC 1006 (ISO over TCP), SNMP (MIB-II), TCP/IP &UDP socket services, Telnet, and TFTP, and supports IP multicast data transmission
Transfer rate	10/100 Mbps
Directive conformity	
Electromagnetic compatibility	
Directive 2014/30/EU	EN 61000-6-2 , EN 55032 , EN 61000-6-4
Standard conformity	
Degree of protection	NEMA TS2
Electrical safety	CSA C22.2 No. 60950 / UL60950
Emitted interference	EN 61000-6-4, EN 55032, FCC Part 15 Subpart B, ICES-003, AS/NZS CISPR 32.
Noise immunity	EN 61000-6-2 , EN 55024
Ambient conditions	
Ambient temperature	-40 ... 75 °C (-40 ... 167 °F)
Storage temperature	-40 ... 85 °C (-40 ... 185 °F)
Relative humidity	max. 95 %
Altitude	0 ... 3048 m
Mechanical specifications	
Housing length	111 mm
Housing width	22.6 mm
Housing height	99 mm
Degree of protection	IP20
Connection	Power Supply: screw terminals Fieldbus: 1 x RJ45 Inputs/outputs: 2 x Screw Terminal
Material	
Housing	Polyamide, UL94V-0
Mass	130.4g
Construction type	Cabinet module
Mounting	DIN mounting rail

Release date: 2021-03-31 Date of issue: 2021-03-31 Filename: 70114036_eng.pdf

Refer to "General Notes Relating to Pepperl+Fuchs Product Information".

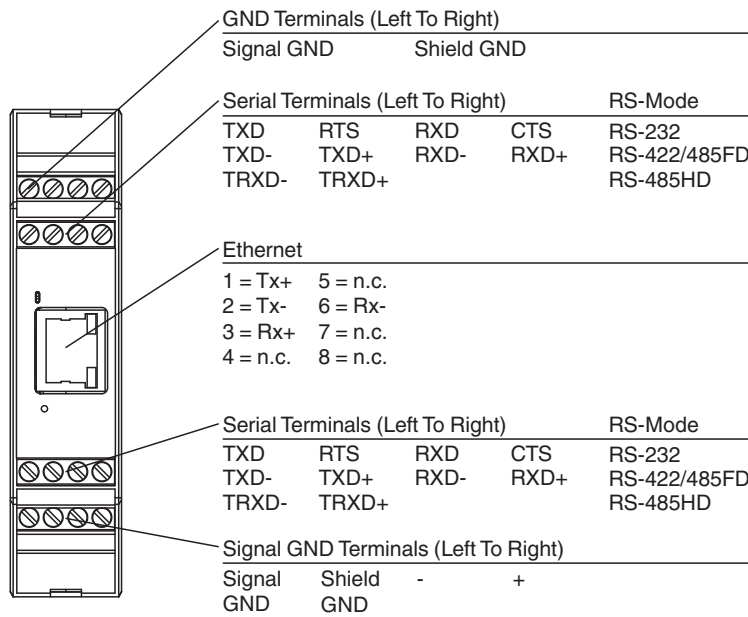
Pepperl+Fuchs Group
www.pepperl-fuchs.com

USA: +1 330 486 0001
fa-info@us.pepperl-fuchs.com

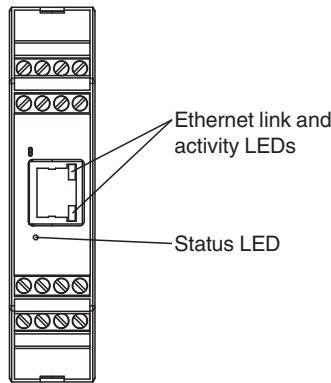
Germany: +49 621 776 1111
fa-info@de.pepperl-fuchs.com

Singapore: +65 6779 9091
fa-info@sg.pepperl-fuchs.com

 **PEPPERL+FUCHS**



Assembly



Accessories

	V45-G-C5-GN1M-PUR-E1S	Ethernet bus cable male cordset single-ended RJ45, 4-pin, PUR cable green, Cat5e, shielded, UL approved, drag chain suitable
	V45-G-C5-GN3M-PUR-E1S	Ethernet bus cable male cordset single-ended RJ45, 4-pin, PUR cable green, Cat5e, shielded, UL approved, drag chain suitable
	V45-G-C5-GN10M-PUR-E1S	Ethernet bus cable male cordset single-ended RJ45, 4-pin, PUR cable green, Cat5e, shielded, UL approved, drag chain suitable
	V45-G-C5-GN1M-PUR-E1S-V45-G	Ethernet bus cable RJ45 to RJ45 PROFINET-coded, 4-pin, PUR cable green, Cat5e, shielded, UL approved, drag chain suitable
	V45-G-C5-GN3M-PUR-E1S-V45-G	Ethernet bus cable RJ45 to RJ45 PROFINET-coded, 4-pin, PUR cable green, Cat5e, shielded, UL approved, drag chain suitable
	V45-G-C5-GN10M-PUR-E1S-V45-G	Ethernet bus cable RJ45 to RJ45 PROFINET-coded, 4-pin, PUR cable green, Cat5e, shielded, UL approved, drag chain suitable
	V45-G-C5-GN20M-PUR-E1S-V45-G	Ethernet bus cable RJ45 to RJ45 PROFINET-coded, 4-pin, PUR cable green, Cat5e, shielded, UL approved, drag chain suitable

Release date: 2021-03-31 Date of issue: 2021-03-31 Filename: 70114036_eng.pdf

Refer to "General Notes Relating to Pepperl+Fuchs Product Information".