

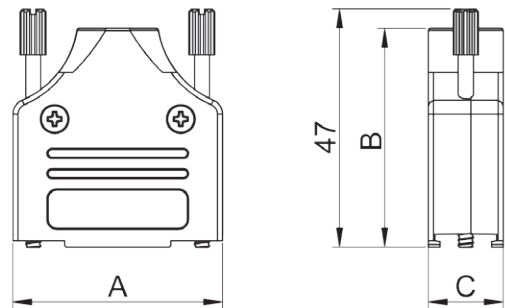
TECHNICAL SPECIFICATIONS

**D-Sub Hood:**

Material: Zinc, Nickel Plated  
 Operating Temperature: -40°C to +120°C  
 Cable Entry: Top Entry  
 Thumbscrews: UNC 4-40 (Standard)  
 Cable O.D: Up to 13mm

**D-Sub High Density:**

Insulator: PBT, White, UL94 V-0  
 Shell: Stamped Steel, Tin Plated  
 Contact pins: Copper Alloy  
 Stamped & Formed pins: 100 inserts min  
 Contacts Plating: Selective Gold over Nickel  
 Operating Temperature: -55°C to +105°C  
 Withstanding voltage: 500V for 1 minute  
 Insulator resistance: 500MΩ min



**Features:**

- Available in sizes HD15-26-44-62
- 360° EMI Shielding
- Quick assembly
- Supports all types of cables
- Suitable for any common D-Sub connector

Size MHDM	Dim A	Dim B	Dim C
9-way	32,2	41,3	15,4
15-way	40,6	43,3	15,4
25-way	54,5	49,5	15,4
37-way	70,7	54,3	15,4

**Ordering information:**

**Class 3 D-Sub Connector Kits (100 inserts min.)**

Size:	P/N - Kitted:	Product Code - MALE Conn. Kit
HD 15	6355-8059-01	MHDM-09-HDP15-W-K
HD 26	6355-8059-02	MHDM-15-HDP26-W-K
HD 44	6355-8059-03	MHDM-25-HDP44-W-K
HD 62	6355-8059-04	MHDM-37-HDP62-W-K

Size:	P/N - Kitted:	Product Code - FEMALE Conn. Kit
HD 15	6355-8059-11	MHDM-09-HDS15-W-K
HD 26	6355-8059-12	MHDM-15-HDS26-W-K
HD 44	6355-8059-13	MHDM-25-HDS44-W-K
HD 62	6355-8059-14	MHDM-37-HDS62-W-K

