

2002-07-08

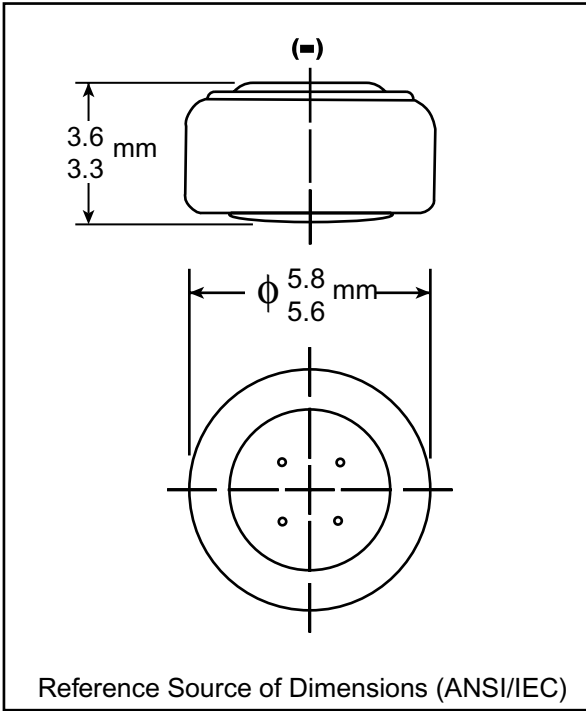
ELFA

PRODUKTINFORMATION

Vi reserverar oss mot fel samt förbehåller oss rätten till ändringar utan föregående meddelande

ELFA artikelnr

69-210-19 Batteri Zink-luft DA10



Nominal Voltage:	1.4 V
Rated Capacity:	90 mAh at 3000 ohm to 1.1 V at 21°C (70°F)
Nominal Internal Impedance:	16 ohm @ 1kHz
Average Weight:	0.3 gm
Volume:	0.06 cm ³
Terminals:	Flat
Operating Temperature Range:	0°C to 50°C (32°F to 122°F)
ANSI:	7005 ZD
IEC:	PR70

Typical Discharge Characteristics at 21°C (70°F)



DURACELL® BATTERIES	Berkshire Corporate Park	Internet: www.duracell.com
	Bethel, CT 06801 U.S.A.	Telephone: Toll-free 1-800-544-5454

* * Delivered capacity is dependent on the applied load, operating temperature and cut-off voltage. Please refer to the charts and discharge data shown for examples of the energy / service life that the battery will provide for various load conditions.