

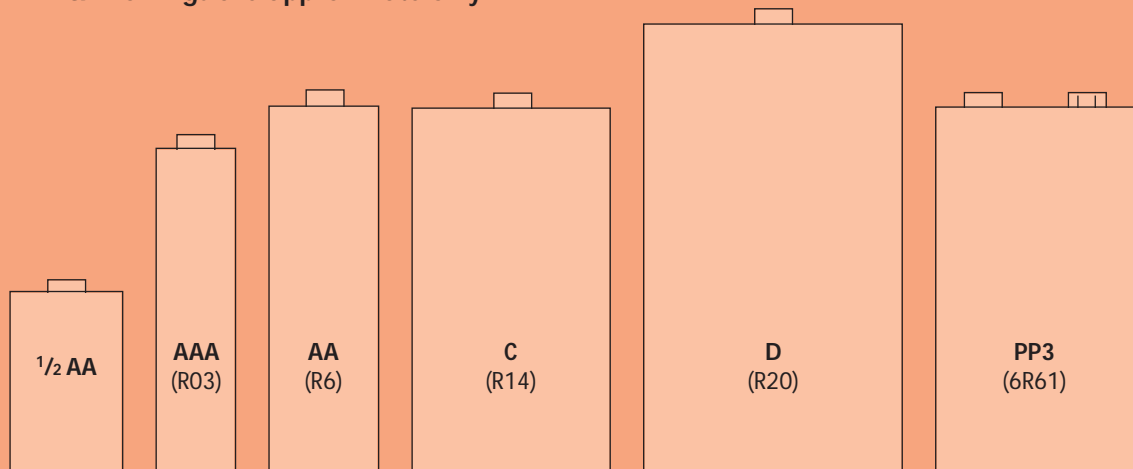


Introduction: BS397, IEC 86-1 Maximum Battery Size

Max. Battery size	To Fit Holders	Mounting
1/2 AA Ø14.9 x 25.1	BX0031	PCB/Base
AAA (R03) Ø10.5 x 44.5	BX0034	PCB/Base
AA (R6) Ø14.5 x 50.5	BX0035	PCB/Base
	BX0011/1, BX0012/1, BX0013/1, BX0027	Panel
C (R14) Ø26.2 x 50	BX0036	PCB/Base
	BX0001/1, BX0002/1 BX0003/1	Panel
D (R20) Ø34.2 x 61.5	BX0037	PCB/Base
	BX0016, BX0017, BX0018	Panel
PP3 (6R61) W26.5 x D17.5 x H48.5	BX0033	PCB/Base
	BX0023, BX0026	Panel



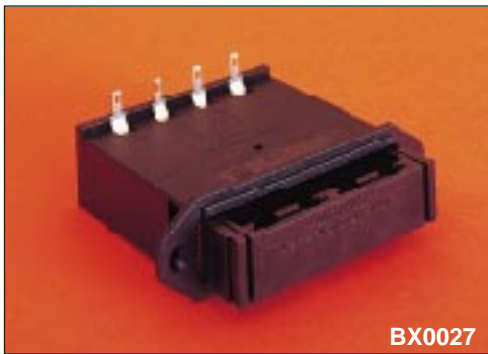
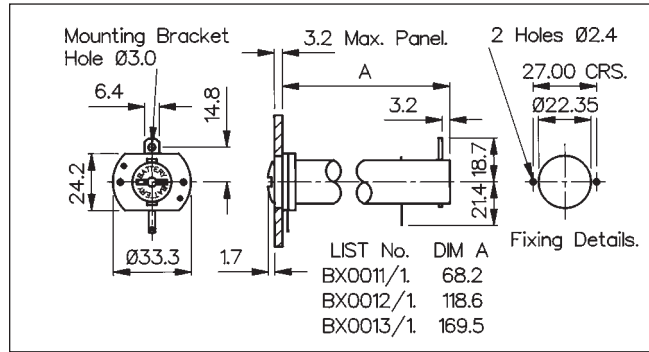
Note: As batteries from different manufacturers may vary slightly in size, Dimensions & Drawings are approximate only.



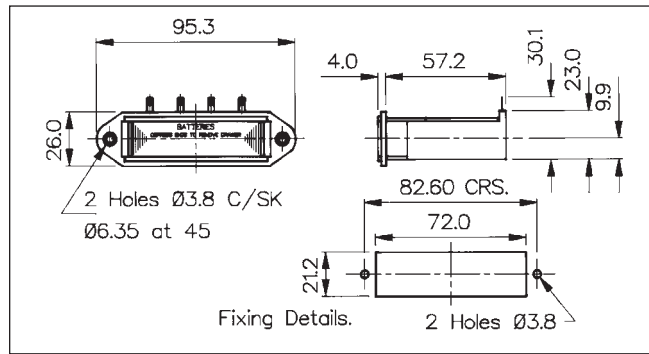
All Bulgin Battery Holders have polarity clearly marked



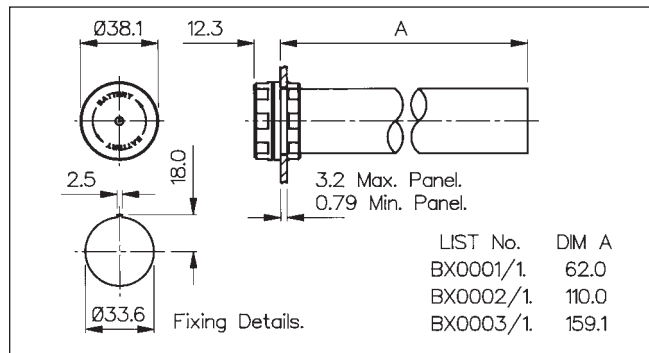
BX0011/1



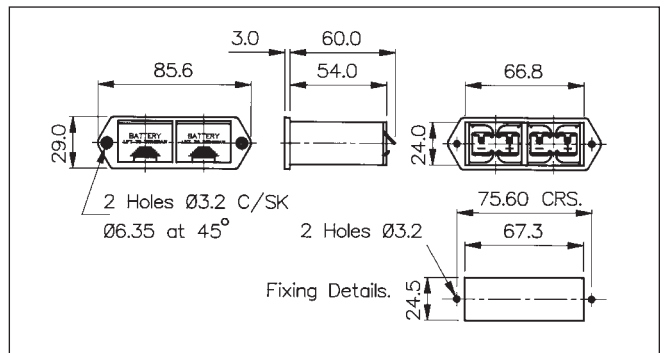
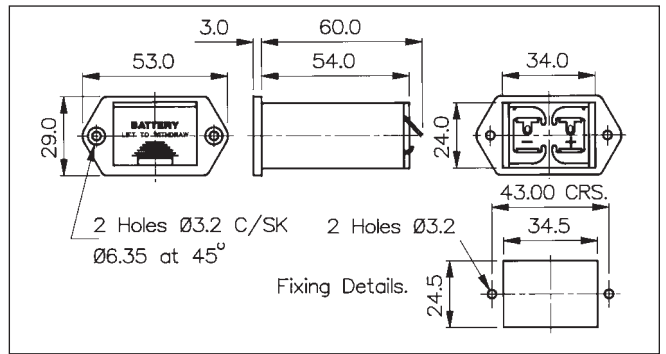
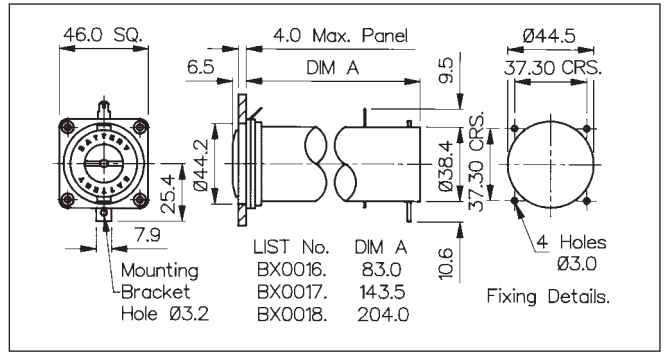
BX0027



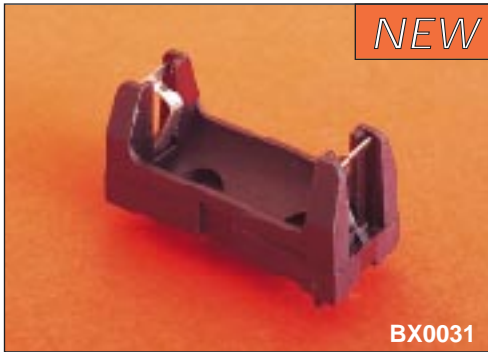
BX0001/1



Data	List No.	BX0011/1, BX0012/1, BX0013/1	BX0027	BX0001/1, BX0002/1, BX0003/1
Battery/Cell Type:		AA (R6)	AA (R6)	C (R14)
No. Cells:		BX0011/1 - 1 cell, BX0012/1 - 2 cells, BX0013/1 - 3 cells.	4 cells	BX0001/1 - 1 cell, BX0002/1 - 2 cells, BX0003/1 - 3 cells
Terminations:		2.8 series tabs/solder tags.	4 solder tags. (can be wired in series or in pairs).	2.8 series tabs/solder tags.
Operating Temp. Range:		-30°C to +50°C.	-30°C to +70°C.	-30°C to +70°C.
Mouldings:		Glass Filled Nylon & Polystyrene.	Glass Filled Nylon	Nylon & Glass Filled Nylon.
Contacts:		Brass, Tin Plated. Nickel Silver, clean.	Phosphor Bronze, Tin Plated. Nickel Silver, clean.	Nickel Silver, clean. Brass, Tin Plated.
Features:		Bayonet cap with coin slot. Body may be supported by rear bracket.	Removable loading/latching magazine.	Screw on cap. Recommended torque for panel ring 1.13-1.7Nm (10-15 lbf.in).

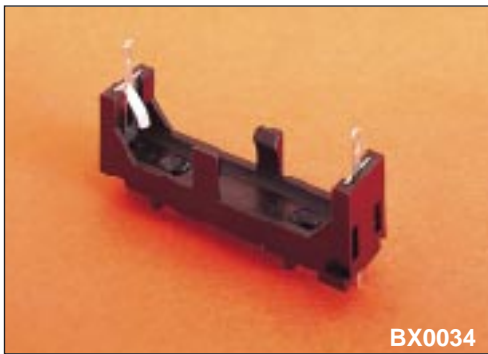
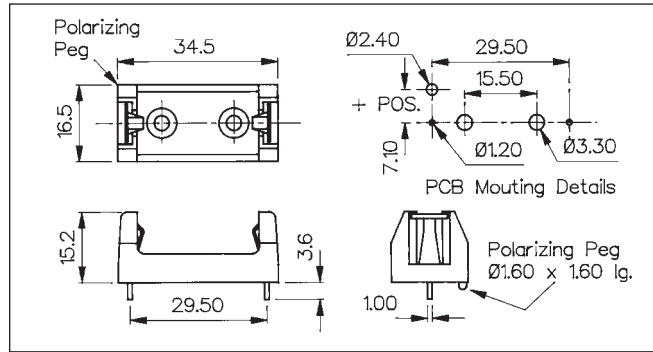


Data	List No.	BX0016, BX0017, BX0018	BX0023	BX0026
Battery/Cell Type:		D (R20)	PP3 (6R61)	PP3 (6R61)
No. Cells:		BX0016 - 1 cell, BX0017 - 2 cells, BX0018 - 3 cells	1 cell	2 cells
Terminations:		4.8 series tabs/solder tags.	Solder tag.	Solder tag.
Operating Temp. Range:		-30°C to +70°C.	-30°C to +70°C.	-30°C to +70°C.
Mouldings:		Nylon & Polycarbonate.	Glass Filled Nylon.	Glass Filled Nylon.
Contacts:		Brass, Nickel Plated.	Phosphor Bronze, Tin Plated.	Phosphor Bronze, Tin Plated.
Features:		Bayonet cap with coin slot. Body may be supported by rear bracket.	Removable loading magazine.	Removable loading magazines.

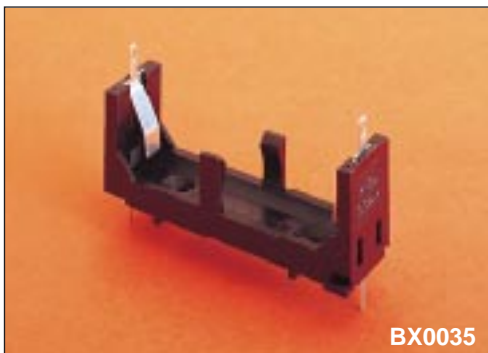
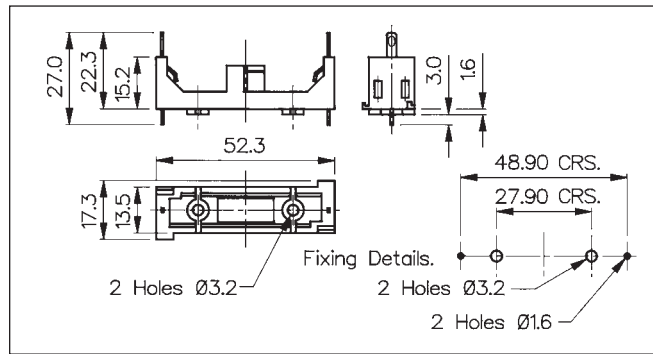


NEW

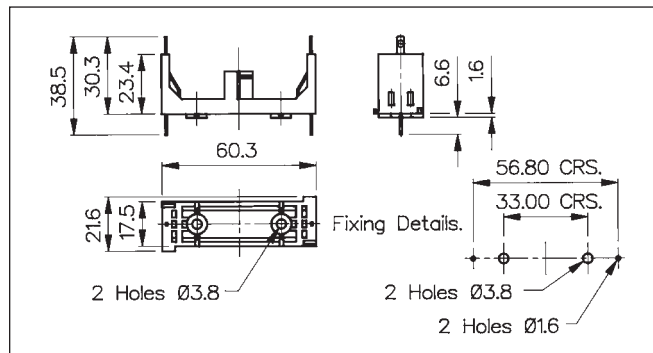
BX0031



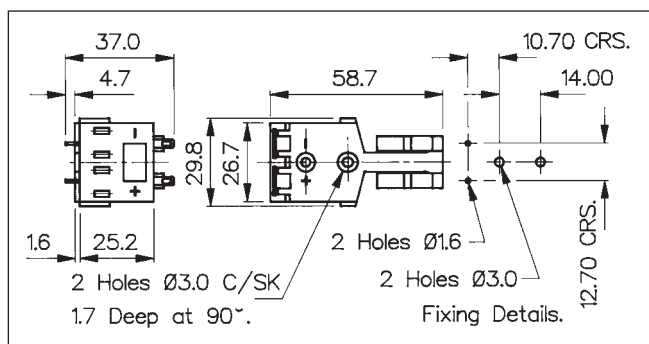
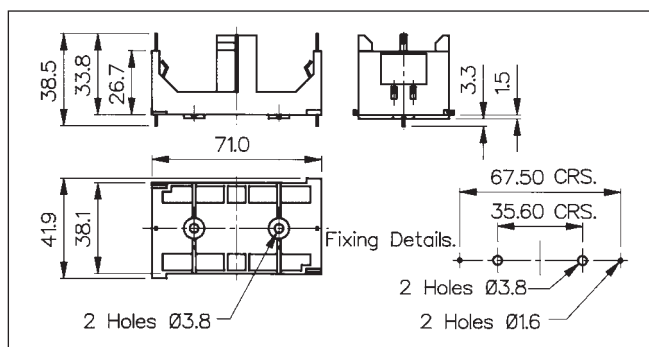
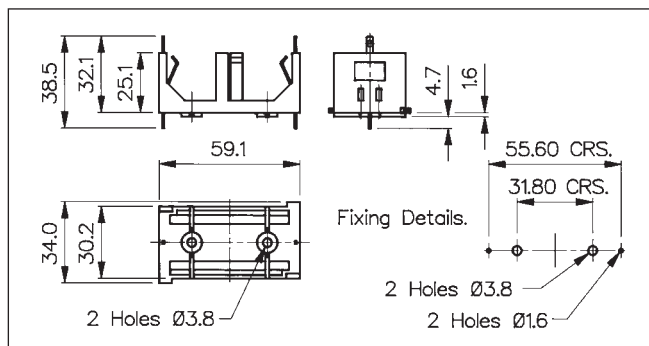
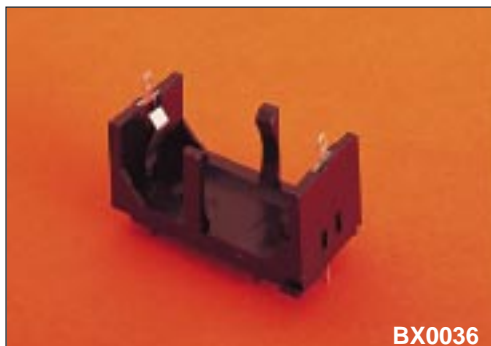
BX0034



BX0035



Data \ List No.	BX0031	BX0034	BX0035
Battery/Cell Type:	1/2 AA	AAA (R03)	AA (R6)
No. Cells:	1 cell	1 cell	1 cell
Terminations:	P.C. spills	Dual connections, P.C. spills & 2.8 series tabs/solder tags. (P.C. spills may be removed if required).	Dual connections, P.C. spills & 2.8 series tabs/solder tags. (P.C. spills may be removed if required).
Operating Temp. Range:	-30°C to +70°C.	-30°C to +70°C.	-30°C to +70°C.
Mouldings:	Glass Filled Nylon.	Glass Filled Nylon.	Glass Filled Nylon.
Contacts:	Nickel Silver, clean.	Nickel Silver, clean.	Nickel Silver, clean.
Features:		Interlocking device for multiple assemblies.	Interlocking device for multiple assemblies.



Data	List No.	BX0036	BX0037	BX0033
Battery/Cell Type:		C (R14)	D (R20)	PP3 (6R61)
No. Cells:		1 cell	1 cell	1 cell
Terminations:		Dual connections, P.C. spills & 2.8 series tabs/solder tags. (P.C. spills may be removed if required).	Dual connections, P.C. spills & 2.8 series tabs/solder tags. (P.C. spills may be removed if required).	Dual connections, P.C. spills & 2.8 series tabs/solder tags. (P.C. spills may be removed if required).
Operating Temp. Range:		-30°C to +70°C.	-30°C to +70°C.	-30°C to +70°C.
Mouldings:		Glass Filled Nylon.	Glass Filled Nylon.	Nylon.
Contacts:		Nickel Silver, clean.	Nickel Silver, clean.	Nickel Silver, clean.
Features:		Interlocking device for multiple assemblies.	Interlocking device for multiple assemblies.	