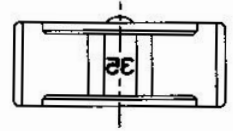
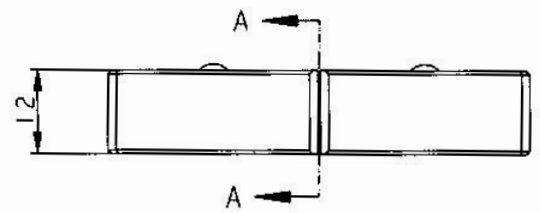
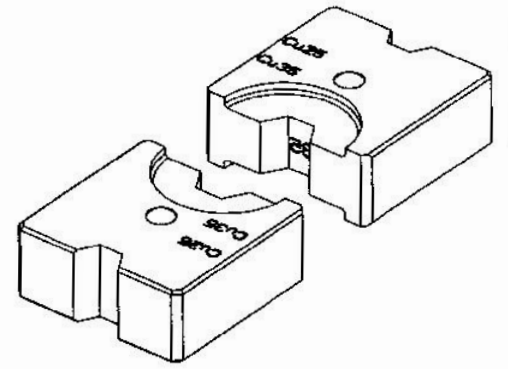
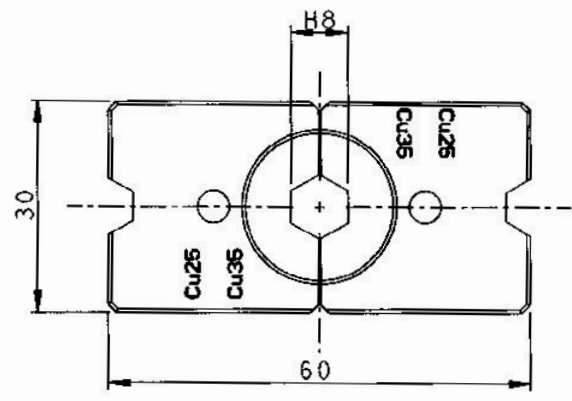
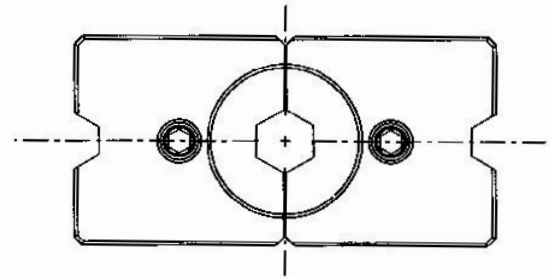


A B C D E F G H

REV	DESCRIPTION	DATE
-----	-------------	------



SECTION A-A



Tolerance Unless Otherwise Specified	
0 >	mm ±
>	mm ±
>	mm ±
>	mm ±
ANGLE	
0 >	REF ±
>	REF ±
>	REF ±

NAME	HEXAGONAL DIES FOR THX-185 HYDRAULIC CRIMPING TOOL			UNIT	mm
PART NO.	DIE-THX185(H)-35	MATERIAL	SCM415	APPROVED	
NUMBER	KS-UD177-C	SCALE	SHEET	PAGE	CHECKED
DATE	2007/01/26	1:1	1-0	10F1	DRAWN 林昌宜