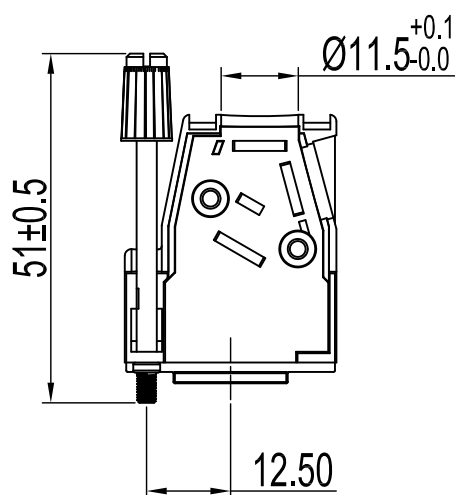
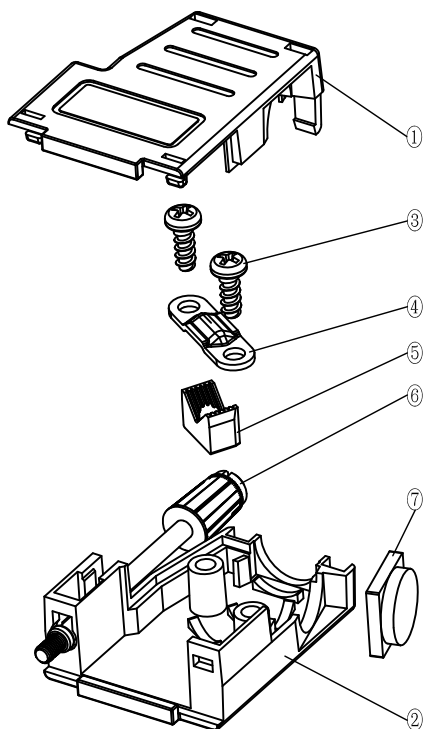
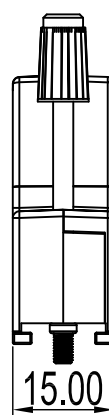
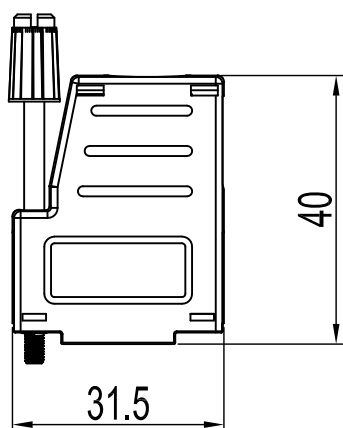


No.	Changes and/or Note No.	Date	Intr	No	Changes and/or Note No.	Date	Intr



Part Number:	Description:	Pack:	Ltem	QTY	Part description
			1	1	DSSK-9 Upper cover
6260-0107-01	DSSK-P-09-L-K	Kit	2	1	DSSK-9 Lower cover
			3	2	EPS 3X8 Self Tapping Screw
6261-0107-01	DSSK-P-09-L	Bulk	4	1	Cable Clamp
			5	1	Plastic Insert
			6	1	UNC 4-40X51 Jackscrew
			7	1	Plastic Blanker

DATE: 2012-02-14	DRAWN: YGY	SCALE:	MATERIAL TYPE:	GENERAL TOLERANCES UNLESS OTHERWISE STATED LINEAR 0 ±0.20 0.0 ±0.15 0.00 ±0.10 ANGULAR ±0°30' ALL DIMENSIONS IN mm THIRD ANGLE PROJECTION
AUDITING:	APPROVED: MRR		REPLACES:	

	DSSK-P-SERIES		DRAWING No:	6688-9480-PL