

Multidial 10 Turns 30.6mm Dia Projecting Design

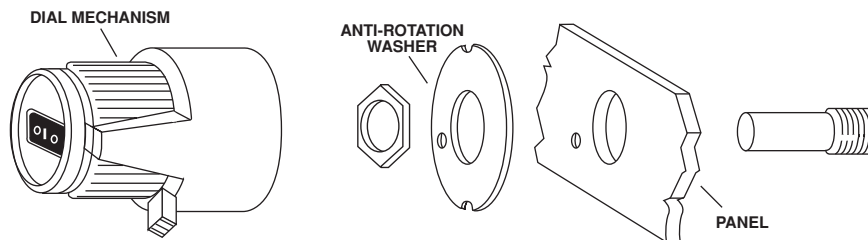
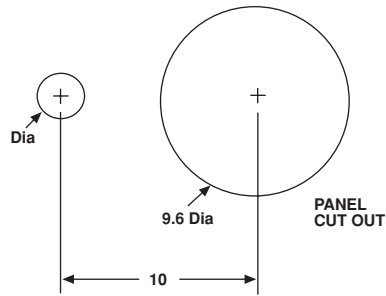


23-1-21 Projecting
L. 31.5mm

FEATURES

- Black body, satin face with chrome ring
- White three digit markings on black background
- Additional graduations for fine adjustment
- Protective window
- Locking lever for fixed position
- Suitable for 6.35mm shafts
- Supplied with locking key and mounting instructions

DIMENSIONS in inches (millimeters)



ORDERING INFORMATION

23
MODEL

1
1/4" SHAFT

21
BLACK BODY
Satin face with chrome ring

Multidial 10 Turns 30.6mm Dia Recessed Design

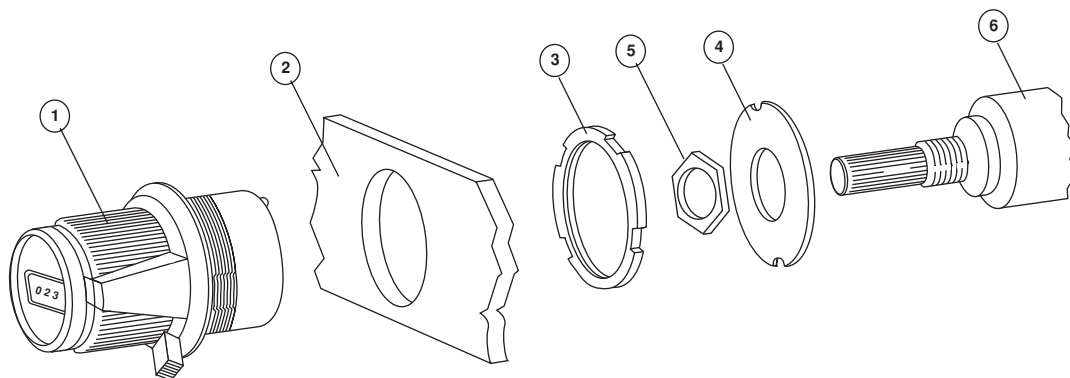
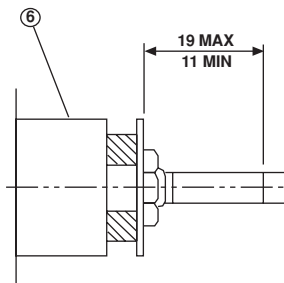


26-1-21 Recessed
L. 15mm (from panel)
L. 31.5mm (total)

FEATURES

- Black body, satin face with chrome ring
- White three digit markings on black background
- Additional graduations for fine adjustment
- Protective window
- Locking lever for fixed position
- Suitable for 6.35mm shafts
- Supplied with locking key and mounting instructions

DIMENSIONS in inches (millimeters)



ORDERING INFORMATION

26
MODEL

1
1/4" SHAFT

21
BLACK BODY
Satin face with chrome ring