

MOA-SST | Horizontal toggle clamps

with folded base, stainless steel



MATERIAL

AISI 304 stainless steel.

RIVETS

AISI 304 stainless steel.

HANDLE

Polyurethane, red colour.

STANDARD EXECUTIONS

- **MOA-MX**: with open clamping lever and two folded washers.
- **MOA-OX**: with solid clamping lever and bolt retainer.

CLAMPING BOLTS

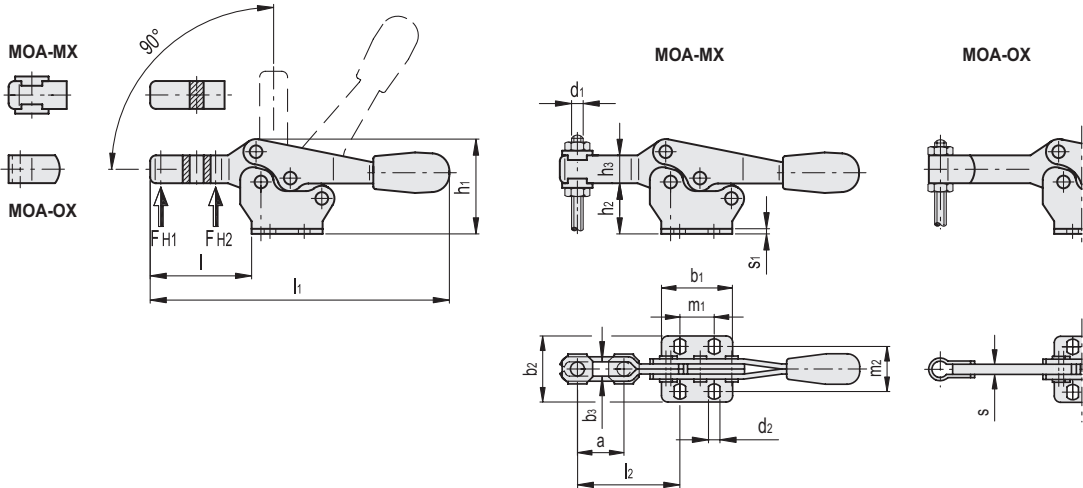
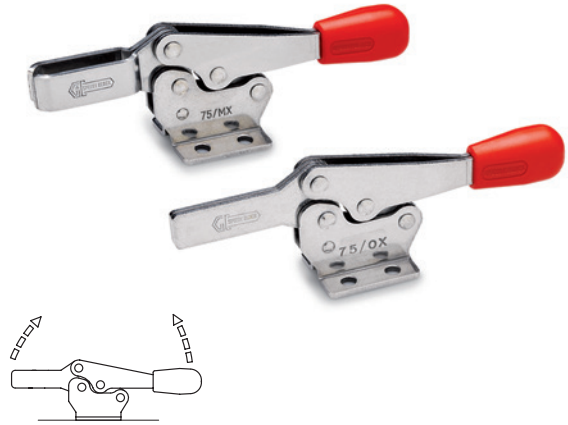
To be ordered separately (code GG.DS025 included in the supply).

FEATURES AND APPLICATIONS

All articulated joints are lubricated with special grease.

Main feature of MOA. toggle clamps is the low clamping profile. These tools are designed to avoid that the operator's fingers may be hit by the lever while opening. During clamping, the lever is controlled to prevent impact on functioning due to side thrust.

During clamping, the lever is controlled to prevent impact on functioning due to side thrust.



MOA-MX



Code	Description	a	b1	b2	b3	d1	d2	h1	h2	h3	l	l1	l2	m1	m2	s1	FH1 [N]*	FH2 [N]*	⚖️
GG.DS025	MOA.25-MX	10	24	24.5	4.2	M4	4.3	23	12	7	19	68	20	15	16	1.2	400	-	25
GG.DS075	MOA.75-MX	20	28	26	5.5	M5	4.5	37	20	11	40	118	40	13.5	16+19	2	900	1350	88
GG.DS135	MOA.130-MX	32	36	40	6.5	M6	5.5	51	29	14	56	170	53	26	22.4+28.4	2.5	1000	2000	200
GG.DS270	MOA.230-MX	37	44	42	8.5	M8	6.5	61.5	36.5	18	65	195	63.5	26	26+31.5	3	1700	3300	330

MOA-OX



Code	Description	b1	b2	d1	d2	h1	h2	h3	l	l1	m1	m2	s	s1	FH1 [N]*	FH2 [N]*	⚖️
GG.DS085	MOA.75-OX	28	26	M5	4.5	37	20	11	40.5	118.5	13.5	16+19	4	2	900	1350	88
GG.DS145	MOA.130-OX	36	40	M6	5.5	51	29	14	57	171	26	22.4+28.4	5	2.5	1000	2000	200
GG.DS280	MOA.230-OX	44	42	M8	6.5	61.5	36.5	18	67	197	26	26+31.5	6	3	1700	3300	340

* Holding force.

