

Actuator Knobs



DESCRIPTION

A clear moulded control knob with concave end.

DISTINCTIVE FEATURES

- High quality moulding
- Polycarbonate plastic
- Can be used for backlit applications
- Clear
- Concave end

APPLICATIONS

Suitable for use with R-TECH LED Illuminated Push Button Switches 78-0390 & 78-0391.
Can be used for backlit applications.

Clear

Concave

PC





MATERIALS

Actuator knob	Polycarbonate plastic (PC)
---------------	----------------------------



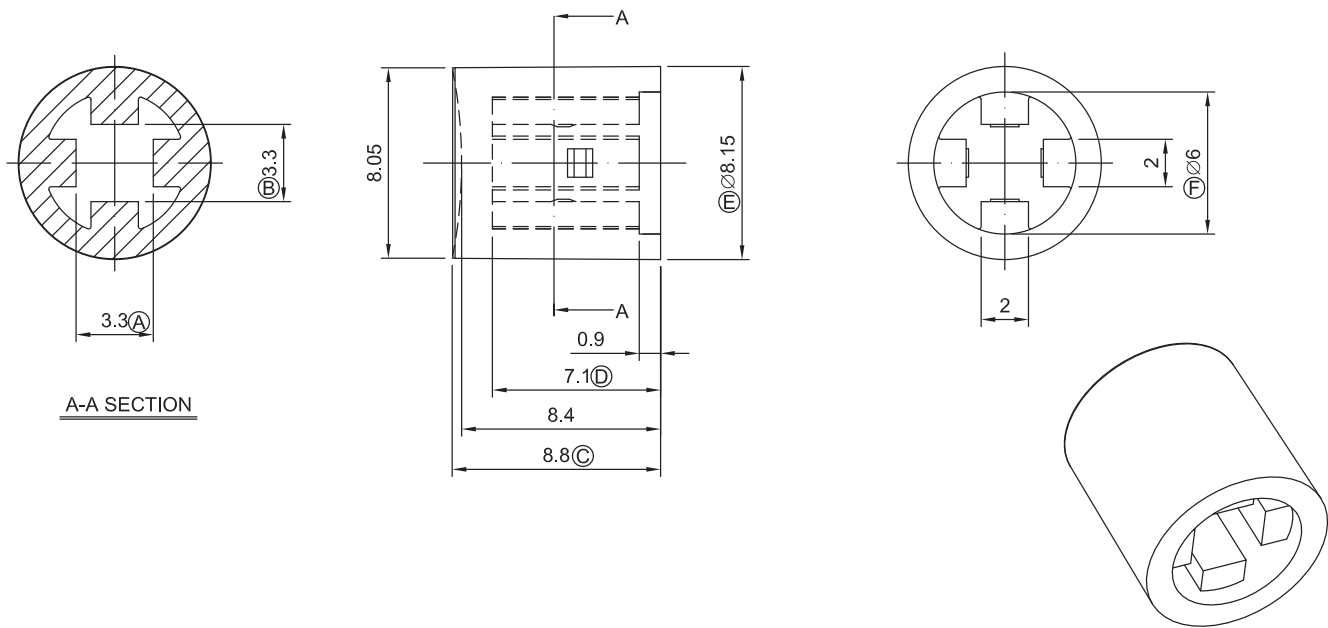
GENERAL SPECIFICATION

Type	Actuator knob
Actuator colour	Clear
RoHS Compliant	Yes
For use with	Suitable for use with R-TECH 78-0390 & 78-0391 illuminated push button switches



DIMENSIONS/DRAWINGS

Units	mm - unless stated otherwise
Overall dimensions (mm)	8.15 x 8.8
Weight (grams)	0.4



PART NUMBER TABLE

Part Number	UNSPSC	EAN	Country Of Origin
78-0389	31162801	5053556003198	China

R-TECH
Tried & trusted technology

Important Notice: This data sheet and its contents (the "Information") belong to Rapid Electronics Limited or are licensed to it. No licence is granted for the use of it other than for information purposes in connection with the products to which it relates. No licence of any intellectual property rights is granted. The Information is subject to change without notice and replaces all data sheets previously supplied. The Information supplied is believed to be accurate but Rapid Electronics Limited assumes no responsibility for its accuracy or completeness, any error in or omission from it or for any use made of it. Users of this data sheet should check for themselves the Information and the suitability of the products for their purpose and not make any assumptions based on information included or omitted. Liability for loss or damage resulting from any reliance on the Information or use of it (including liability resulting from negligence or where Rapid Electronics Limited were aware of the possibility of such loss or damage arising) is excluded. This will not operate to limit or restrict Rapid Electronics Limited's liability for death or personal injury resulting from its negligence.