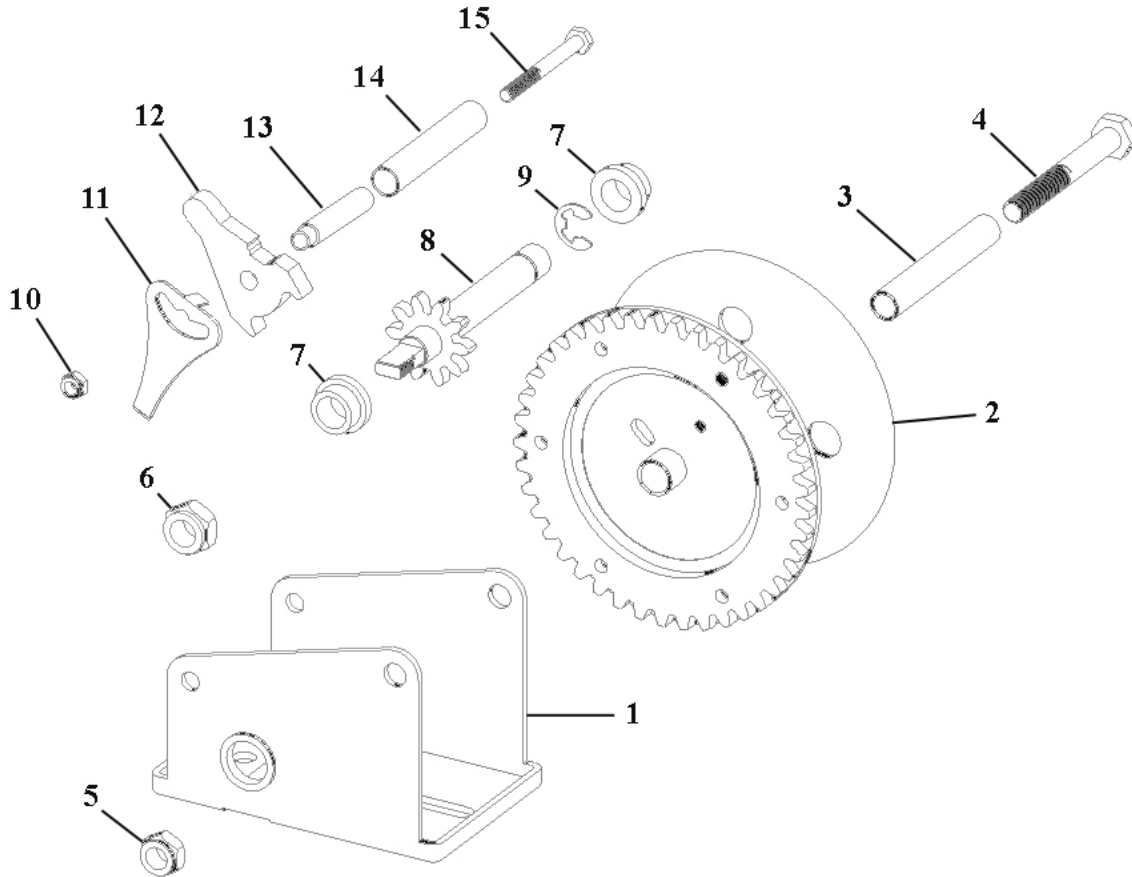




Parts Information:  
**Geared Hand Winch 540kg Capacity with  
 Webbing Strap**  
**Model No: GWW1200M**



Item	Part No.	Description
1	GWW1200M.01	BOTTOM CASE
2	GWW1200M.02	GEAR WHEEL
3	GWW1200M.03	SPACER FOR GEAR WHEEL
4	GWW1200M.04	GEAR WHEEL BOLT
5	GWW1200M.05	NUT
6	GWW1200M.06	NUT
7	GWW1200M.07	AXLE SLEEVE
8	GWW1200M.08	AXLE
9	GWW1200M.09	E-RING

Item	Part No.	Description
10	SN6.S	STEEL NUT M6 ZINC DIN934 (SINGLE)
11	GWW1200M.11	WINCH HANDLE
12	GWW1200M.12	THRUST HANDLE
13	GWW1200M.13	THRUST SHAFT
14	GWW1200M.14	THRUST SLEEVE
15	GWW1200M.15	BOLT (M6)
--	GWW1200M.W	WEBBING STRAP (50mm X 7mtr) (NOT SHOWN)
--	GWW1200M.16	(NOT SHOWN)

**NOTE:** It is our policy to continually improve products and as such we reserve the right to alter data, specifications and component parts without prior notice.

**IMPORTANT:** No liability is accepted for incorrect use of product.

**WARRANTY:** Guarantee is 12 months from purchase date, proof of which will be required for any claim.

**Sealey Group**, Kempson Way, Suffolk Business Park, Bury St Edmunds, Suffolk. IP32 7AR



01284 757500



01284 703534



sales@sealey.co.uk



www.sealey.co.uk