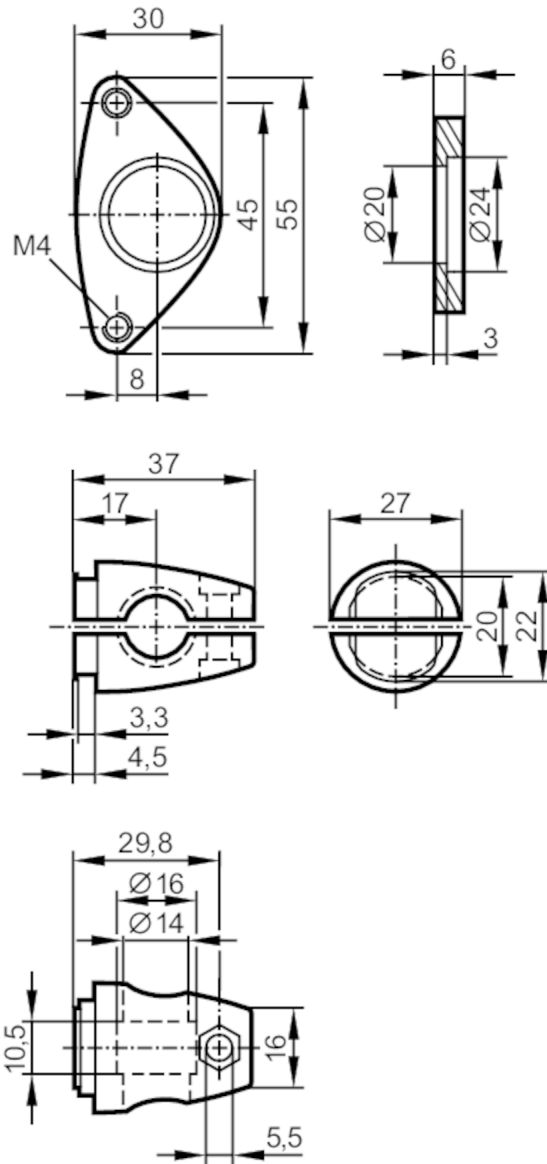


E2D112



Mounting set for vision sensors

MOUNTING SET VISION SENSOR



Application	
Design	clamp mounting
Mechanical data	
Weight [g]	120.5
Type of mounting	Mounting rod; (Ø 14 mm)
Materials	fixture: stainless steel (1.4301 / 304); Clamp: stainless steel (1.4408)
Remarks	
Pack quantity	1 pcs.