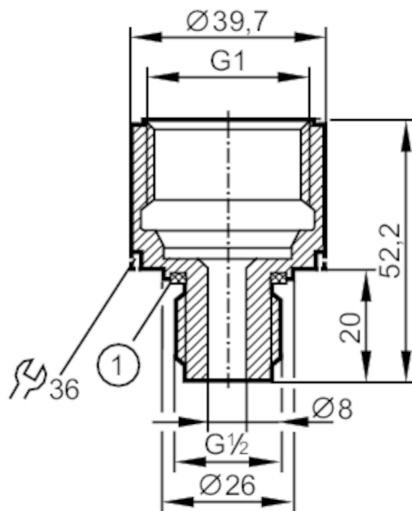


E30116



Screw-in adapter for process sensors

ADAPT G1-I / G1/2-A



1 sealings

Application	
Pressure rating	[bar] 100
Tests / approvals	
Pressure Equipment Directive	A possible classification to PED depends on the application and has to be carried out by the user / operator.
Safety instructions	The compatibility between medium and product material has to be checked in all applications.
Mechanical data	
Weight	[g] 187
Materials	stainless steel (1.4404 / 316L); Sealing: FKM
Sensor connection	G 1
Process connection	G 1/2
Remarks	
Pack quantity	1 pcs.