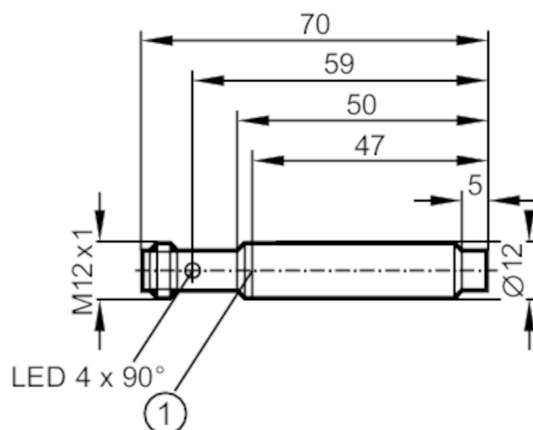


IFT210



Inductive sensor

IFGC007-ASKG/M/V4A/US-104-DRS



1 locating groove



Product characteristics

Electrical design		PNP/NPN
Output function		normally open
Sensing range	[mm]	7
Housing		cylindrical
Dimensions	[mm]	Ø 12 / L = 70

Application

Special feature	Gold-plated contacts; Increased sensing range; Optical setting aid	
Application	Use in wet areas and in the food and beverage industry	

Electrical data

Operating voltage	[V]	10...30 DC
Current consumption	[mA]	12; (24 V)
Protection class		II
Reverse polarity protection		yes

Outputs

Electrical design		PNP/NPN
Output function		normally open
Max. voltage drop switching output DC	[V]	2.8
Minimum load current	[mA]	2; (only in 2-wire operation)
Max. leakage current	[mA]	0.5; (only in 2-wire operation)
Permanent current rating of switching output DC	[mA]	100
Switching frequency DC	[Hz]	700
Short-circuit protection		yes
Type of short-circuit protection		pulsed
Overload protection		yes

IFT210



Inductive sensor

IFGC007-ASKG/M/V4A/US-104-DRS

Detection zone		
Sensing range	[mm]	7
Real sensing range Sr	[mm]	7 ± 10 %
Operating distance	[mm]	0...5.7
Increased sensing range		yes
Accuracy / deviations		
Correction factor		steel: 1 / stainless steel: 0.7 / brass: 0.5 / aluminium: 0.4 / copper: 0.3
Hysteresis	[% of Sr]	3...15
Switch point drift	[% of Sr]	-10...10
Operating conditions		
Ambient temperature	[°C]	0...100
Protection		IP 68; IP 69K
Tests / approvals		
EMC	EN 61000-4-2 ESD	4 kV CD / 8 kV AD
	EN 61000-4-3 HF radiated	10 V/m
	EN 61000-4-4 Burst	2 kV
	EN 61000-4-6 HF conducted	10 V
	EN 55011	class B
MTTF	[years]	1287
UL approval	Ta	0...40 °C
	Enclosure type	Type 1
	voltage supply	Limited Voltage/Current
	File number UL	E174191
Mechanical data		
Weight	[g]	23.7
Housing		cylindrical
Mounting		non-flush mountable
Dimensions	[mm]	Ø 12 / L = 70
Materials		stainless steel (1.4404 / 316L); sensing face: PEEK
Displays / operating elements		
Display	switching status	4 x 90° LED, yellow
	setting aid	1 x LED, red
Optical setting aid		yes
Remarks		
Remarks		suitable for PLC type 1 according to IEC 61131-2
Pack quantity		1 pcs.
Electrical connection - plug		
Connector: 1 x M12; Contacts: gold-plated		

IFT210



Inductive sensor

IFGC007-ASKG/M/V4A/US-104-DRS

