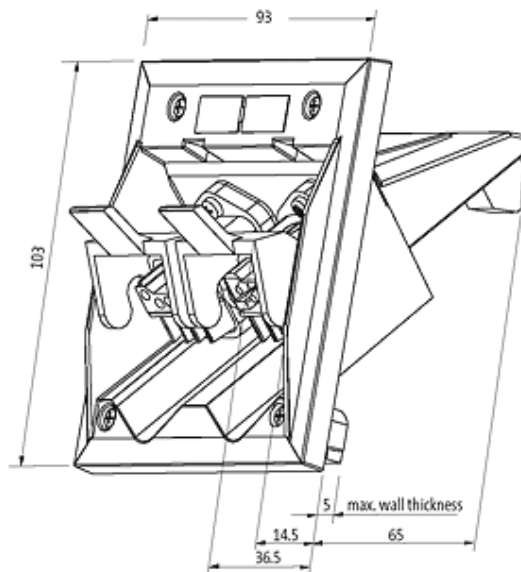


HYBRID FIELD-BUS COUPLERS

MHA-BBE-E

CU, CU (female/female); RS485 (SUB-D9)

Han-Brid ® a registered trademark of HARTING KGaA.

[Link to Product](#)**Illustration**

Product may differ from Image

Approvals



Technical Data

Operating voltage	24 V DC
Transfer rate	to 12 Mbit/s
Shielded	no
Field Bus Coupling IP67	Han-Brid®

General data

Connection	Spring clamp terminals: 0.25 mm ² single core, 2.5 mm ² stranded
Housing	Black plastic, flame retardant
Cut-out	H × W: 90 × 80 mm
Temperature range	-25...+50 °C
Dimensions H × W × D	103×93×65 mm

Commercial data

country of origin	DE
customs tariff number	85176200
minimum order quantity	1