

HPF114-HPF138-HPF112

HPF110-HPF134

Brass high pressure filters, suitable for gas and liquid



FEATURES

Filter for inlet pressure up to 220 bar (3190 psi) in the standard version.

Female connections G 1/4, G 3/8, G 1/2.
Other connections available on request.

Replaceable filter element: 5 μ m, 50 μ m or coalescing (0.01 μ m/99.99%).

The product complies with the directive 2014/68/EU (PED).

SPECIFICATIONS

Operating temperature: -20 °C ÷ +60 °C (-4 °F ÷ +140 °F) for standard version

Degree of protection: IP66

Bowl capacity: 40 cc (1.35 fluid ounces) for versions 1/4", 3/8", 1/2"

Acetylene version: maximum operating pressure 15 bar

MATERIALS

Body: brass

Bowl: brass

Internal parts: brass / AISI 316L

O-Ring: FPM or EPDM according to the fluid (other compounds available on request)

Filter cartridges 5 and 50 µm: AISI 316 L

ACCESSORIES

Bracket kit + screws: M13001 for HPF 114 / 138 / 112

SPARE PARTS

Filter cartridges

Complete kit: filter cartridge, O-rings

generating the product code

FILTRI IN OT58 alta pres:HPF			
AA BB CC D E FF			
AA	Attacchi / Connections	L0	G 3/8-F
		N0	G 1/4-F
		P0	G 1/2-F
BB	Pressione d'ingresso / Inlet pressure	H0	PS 15 bar
		J0	PS 220 bar
CC	Intervallo d'uscita/ Outlet range	15	O2
		19	C2H2
		98	EPDM
		99	FPM
D	Tipologia di fluido / Fluid type	C	5µm AISI 316L
		H	50µm AISI 316L
		J	99,99% Coalescente
E	Marchiato / Marked	I	ID
FF	Accessori/Accessories	00	Nessun accessorio

CODE COMPOSITION EXAMPLE

2B1# H0 J0 99 H I 00

2B1#: HPF series brass filter

R0: Connection 1/2" NPT-F

J0: Maximum inlet pressure 220 bar

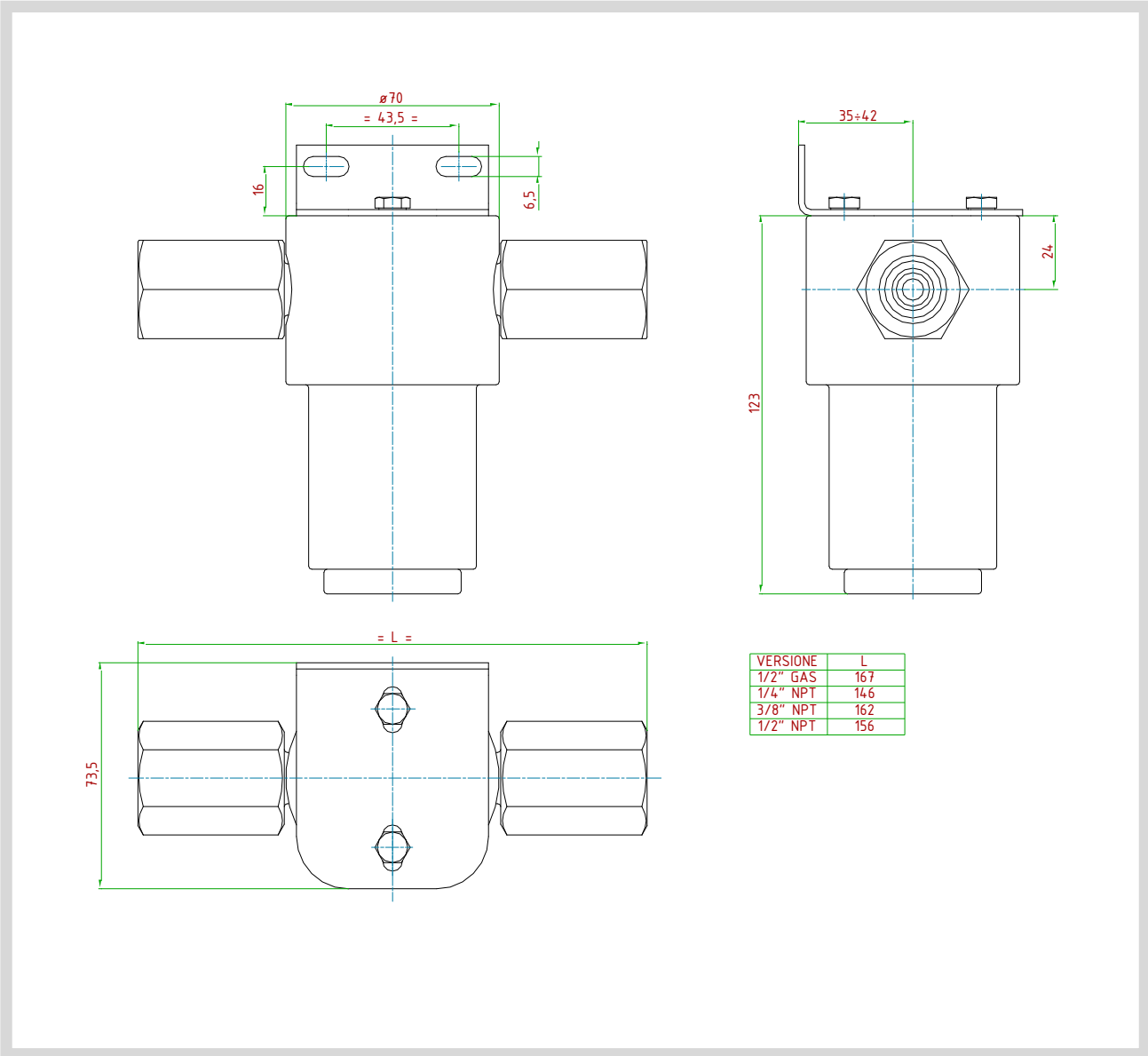
99: FPM o-ring

H: Filtration rate 50 µm

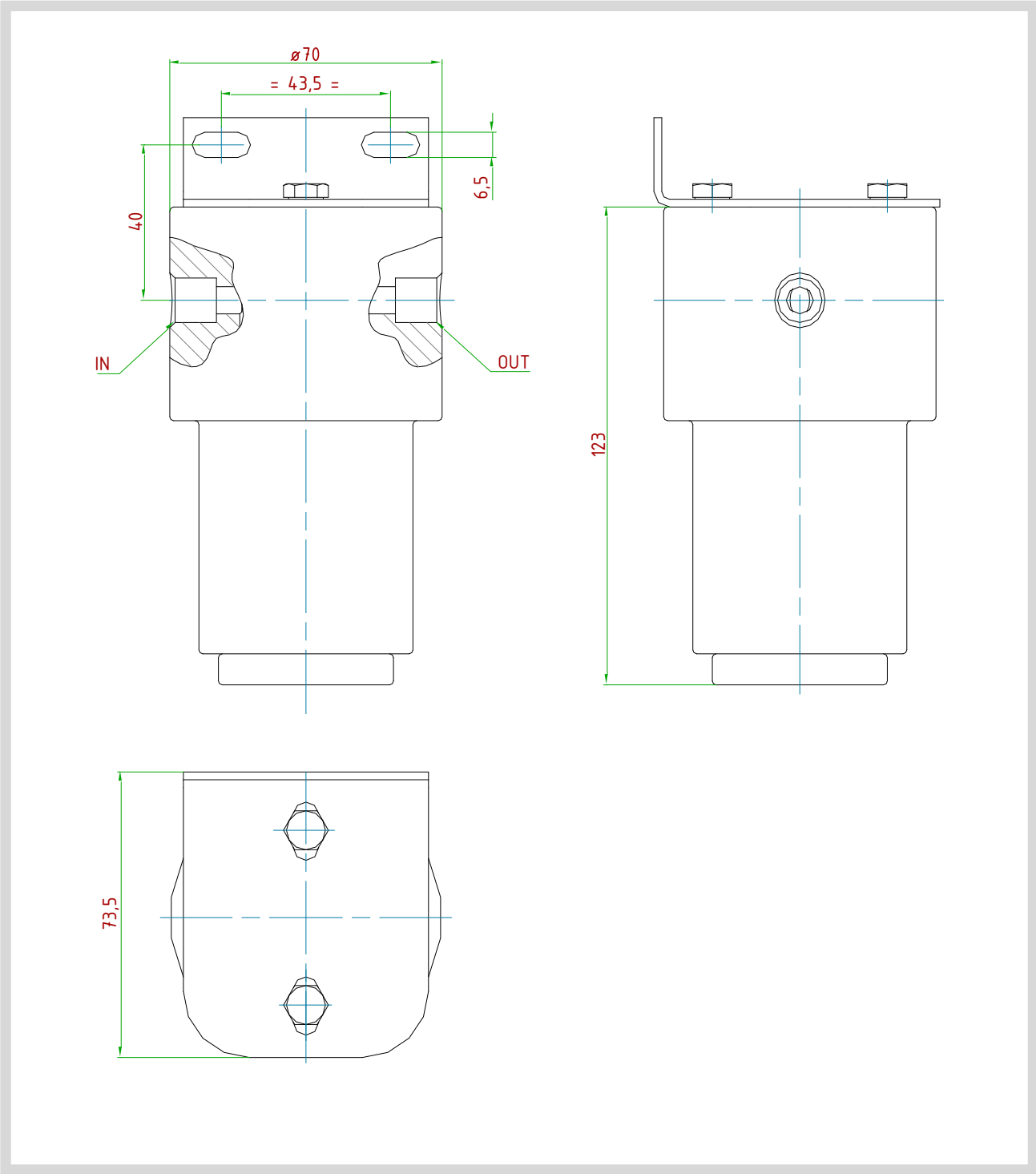
I: Insert Deal

00: No accessories

technical drawings (all dimensions in mm)



tecnicah drawings (all dimensions in mm)



ID Insert Deal Srl

Strada dei Boschi, 40
20852 Villasanta (MB) Italia
tel. +39 039 302035
info@idinsertdeal.com
www.idinsertdeal.com

ID Insert Deal si riserva il diritto di cambiare le specifiche del prodotto senza preavviso.
ID Insert Deal reserves the right to change and/or modify product specifications without prior notice.

Insert Deal non si assume alcuna responsabilità per la scelta, uso e manutenzione di qualsiasi prodotto. La responsabilità per l'ideale scelta, uso e manutenzione di qualsiasi prodotto ID rimane interamente a carico dell'acquirente.

Insert Deal does not assume responsibility for selection, use and maintenance of any products. Responsibility for proper selection, use and maintenance of any ID products remains entirely to the purchaser.

Riproduzione vietata. Tutti i diritti riservati; nessuna parte del presente documento può essere riprodotta senza autorizzazione di ID Insert Deal Srl.
Reproduction forbidden. All rights reserved; the hereby document can't be reproduced, also partially, without the authorization of ID Insert Deal Srl.

FILTER_2B1(HPF114-HPF138-HPF112-HPF110-HPF134)_EN_03



Azienda con sistema di gestione qualità certificato.
certificato N° 50 100 9191
Company with certificated quality management system.
certificate N° 50 100 9191