

ViCare FUNKTION



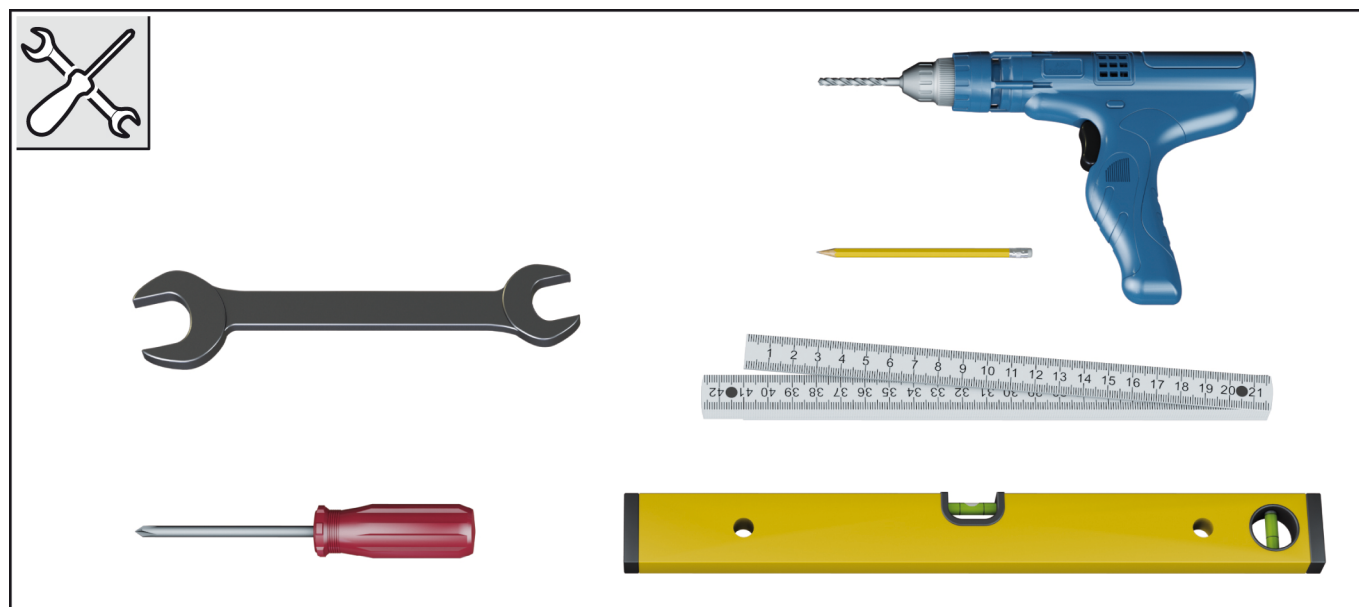
TÜV SUD
tested

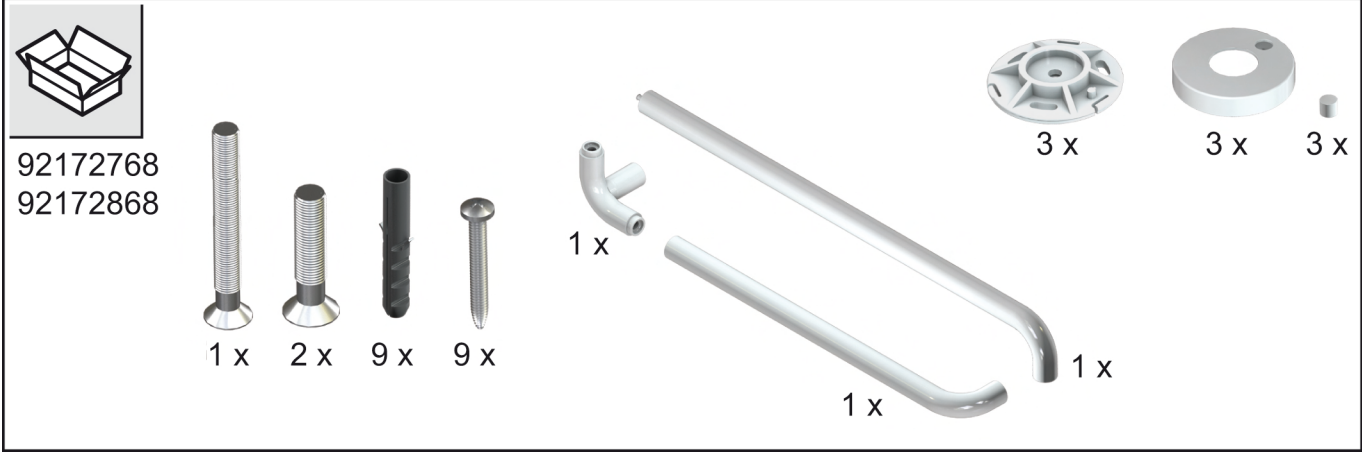
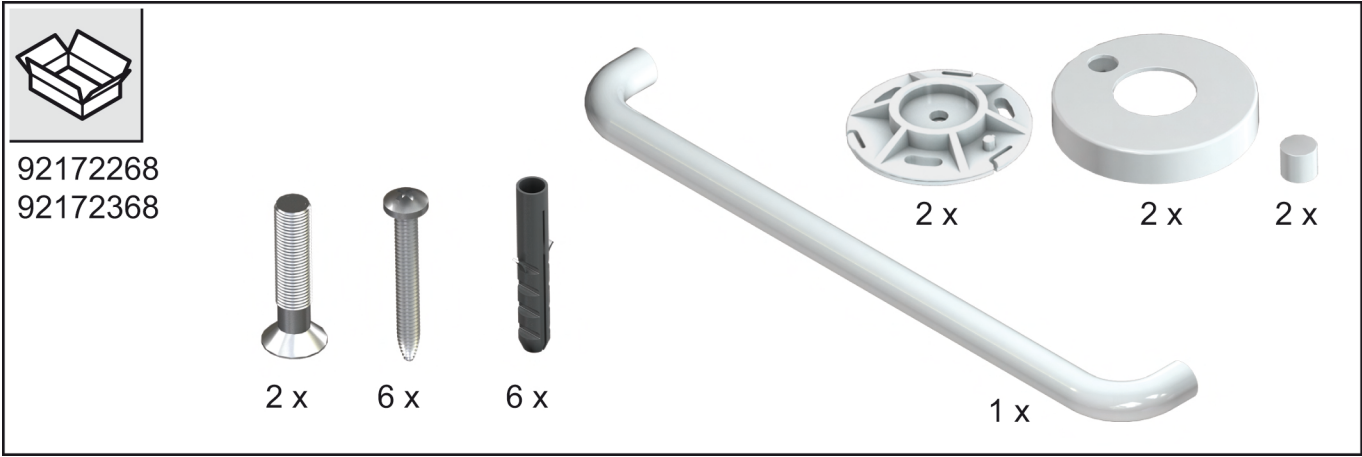
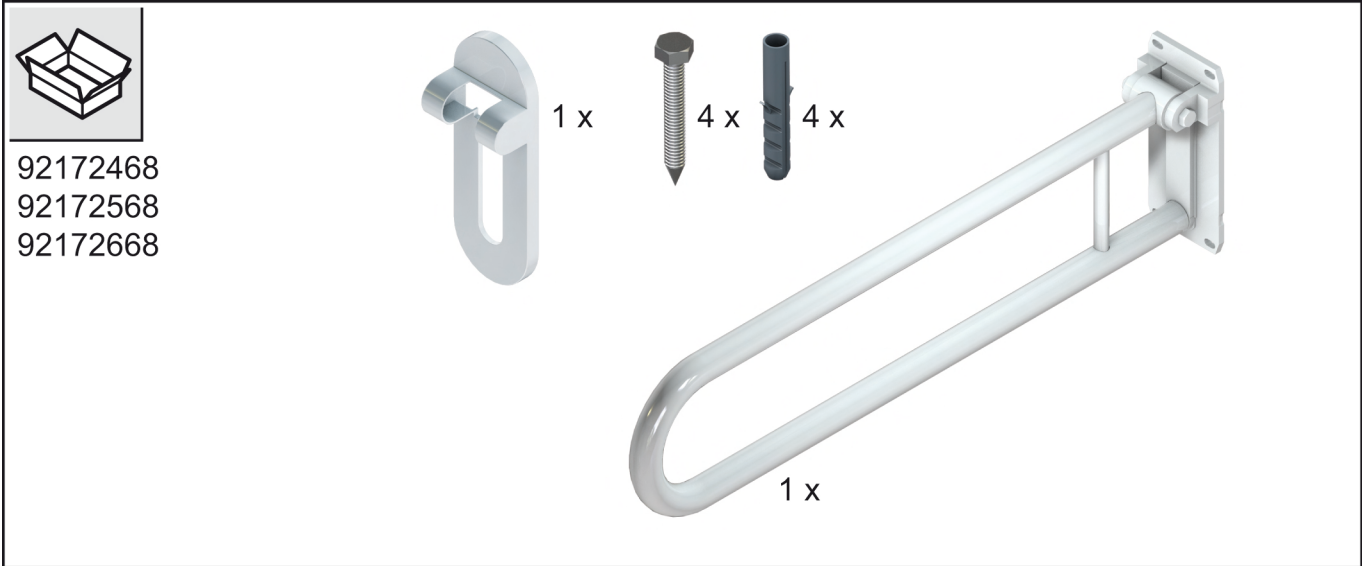


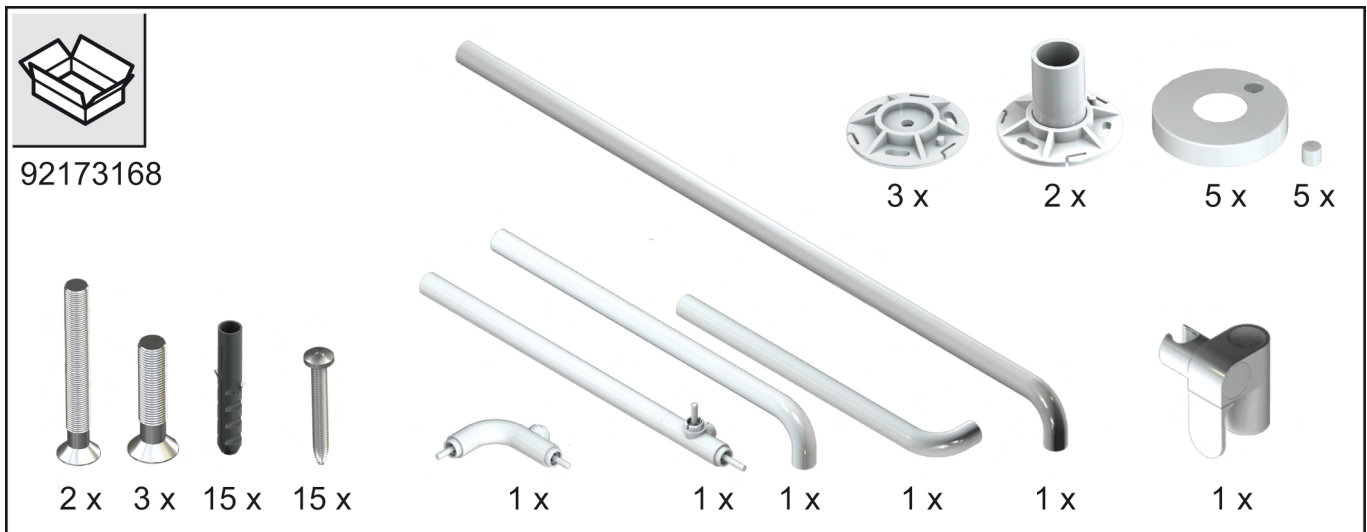
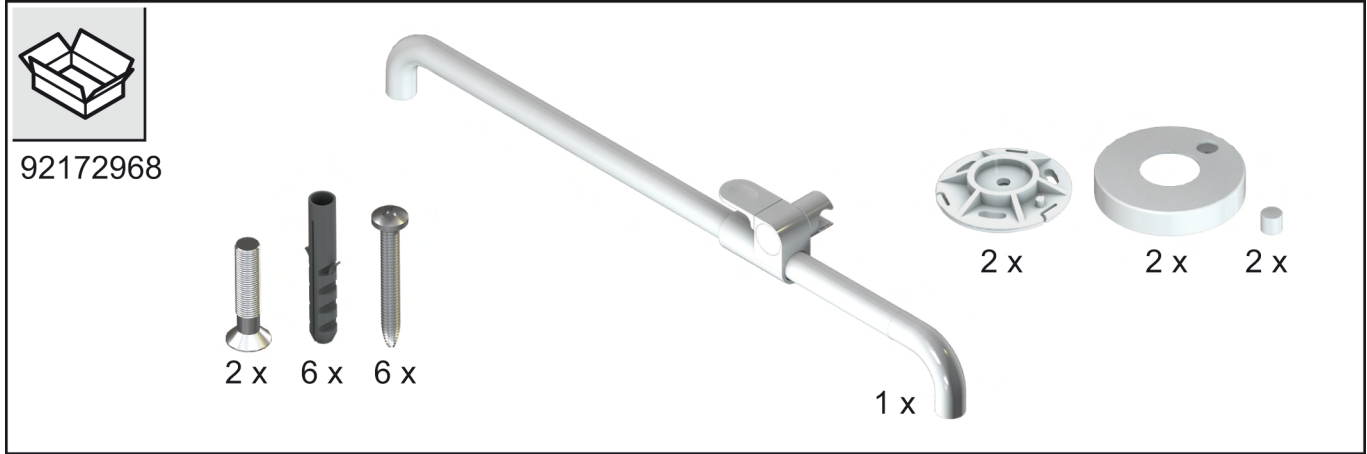
- | | | | |
|---------------------------------------|---------------------------------|---------------------------------|----------------------------------|
| DE Montageanleitung | AR دليل التركيب | HU Szerelési útmutató | PT Instruções de montagem |
| EN Installation instructions | BG Ръководство за монтаж | ID Petunjuk pemasangan | RO Manual de montaj |
| ES Instrucciones de montaje | CS Návod k montáži | JA 取付説明書 | SK Návod na montáž |
| FR Instructions de montage | DA Monteringsvejledning | KO 설치 가이드 | SL Navodila za montažo |
| IT Istruzioni per il montaggio | EE Paigaldusjuhend | LT Montavimo instrukcija | SV Monteringsanvisning |
| NL Montagehandleiding | EL Οδηγίες τοποθέτησης | LV Montāžas instrukcija | TH คู่มือการติดตั้ง |
| RU Инструкция по монтажу | FI Asennusohje | NO Monteringsanvisning | TR Montaj kılavuzu |
| ZH 安装说明 | HR Uputa za montažu | PL Instrukcja montażu | UK Інструкція з монтажу |

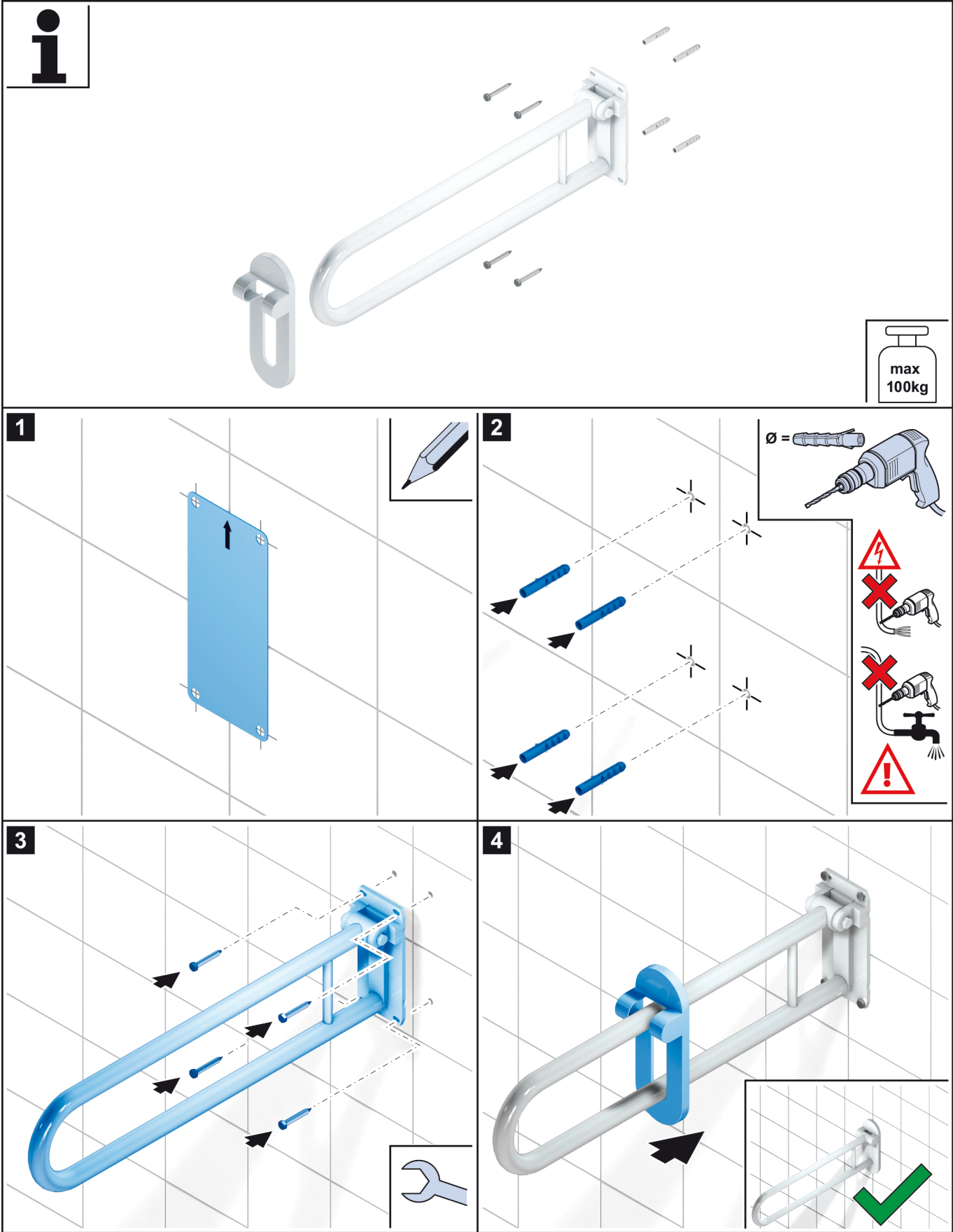


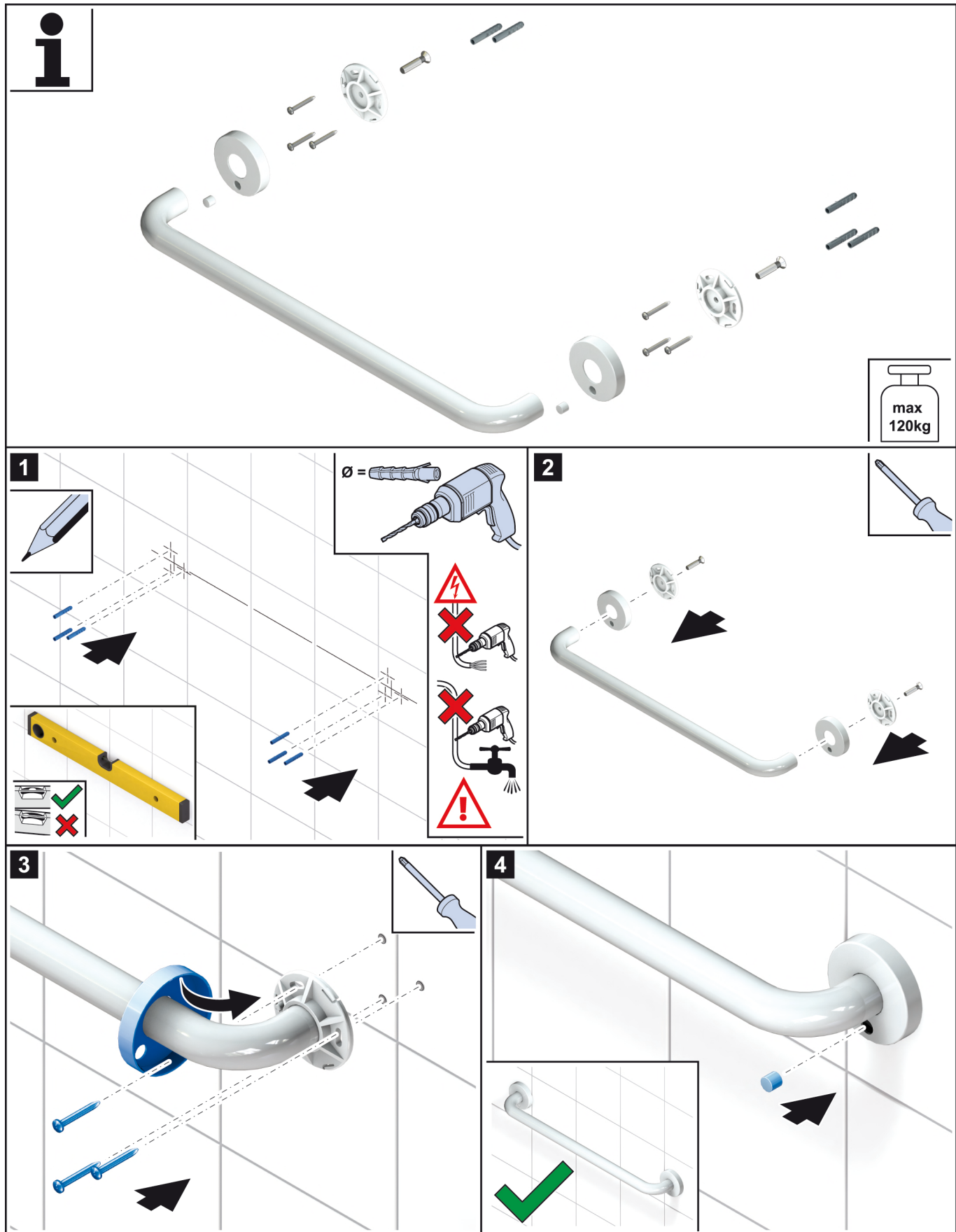
	92172468 92172568 92172668	page 5
	92172268 92172368	page 6
	92172768 92172868	page 7
	92172968	page 8
	92173168	page 9

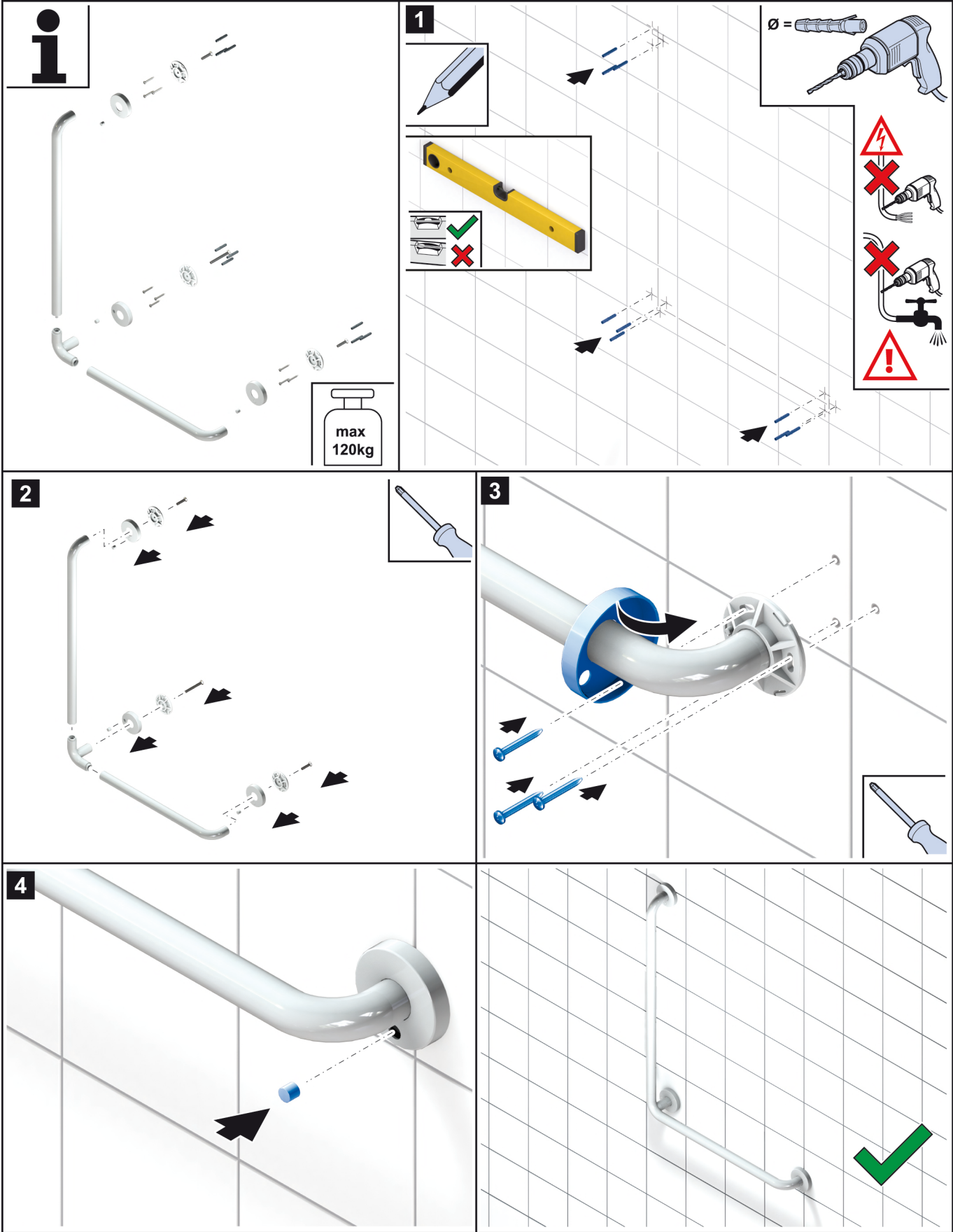


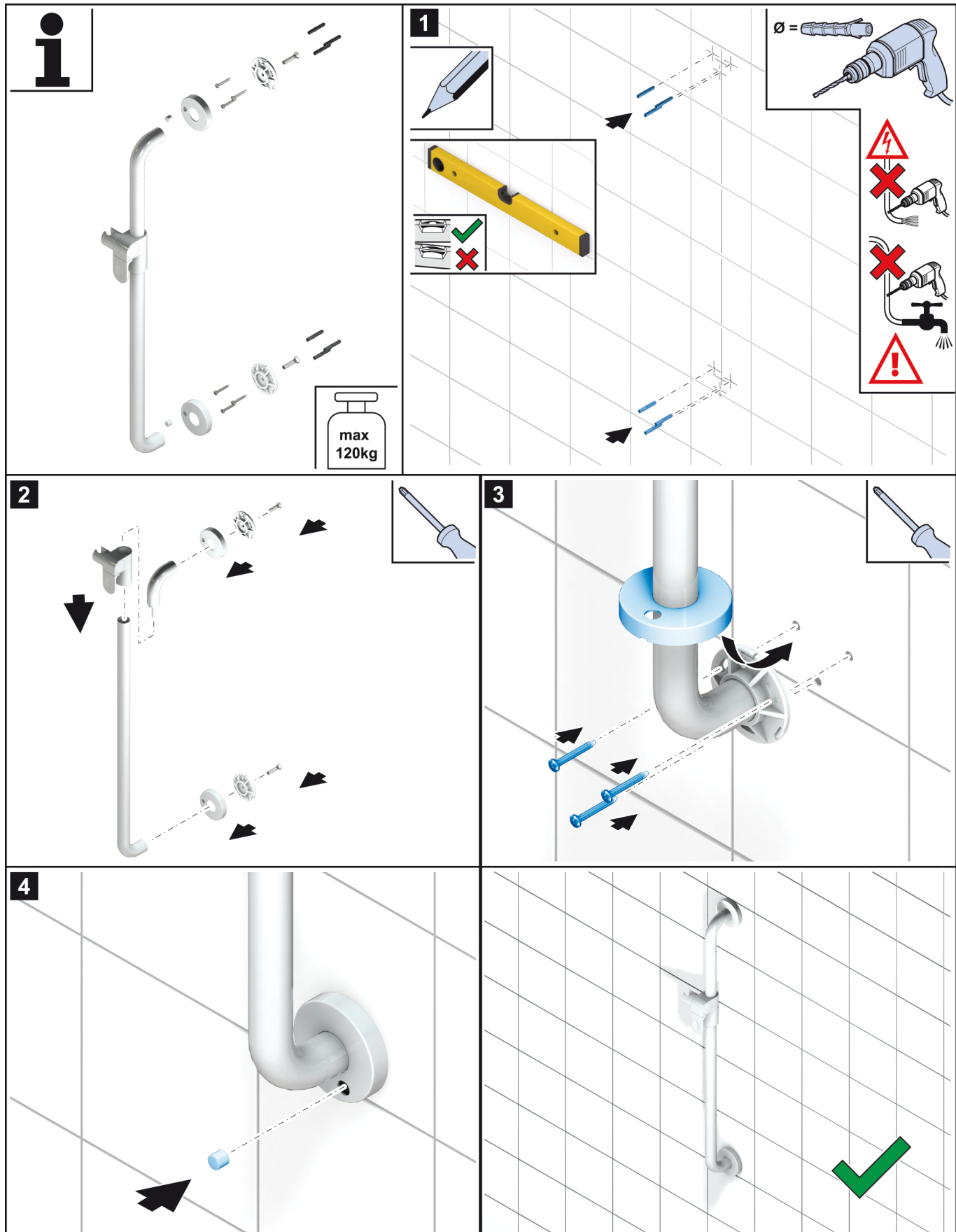


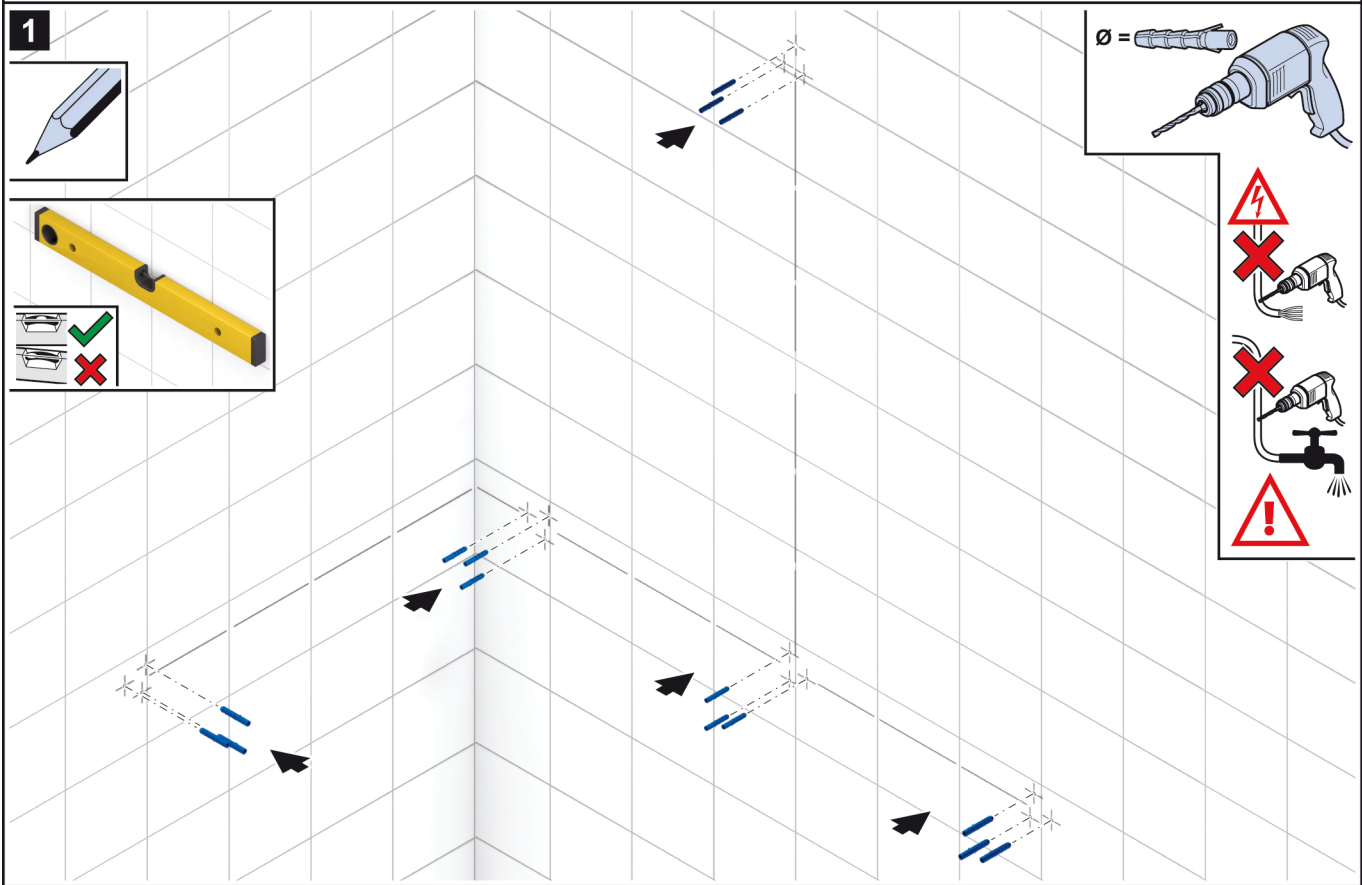
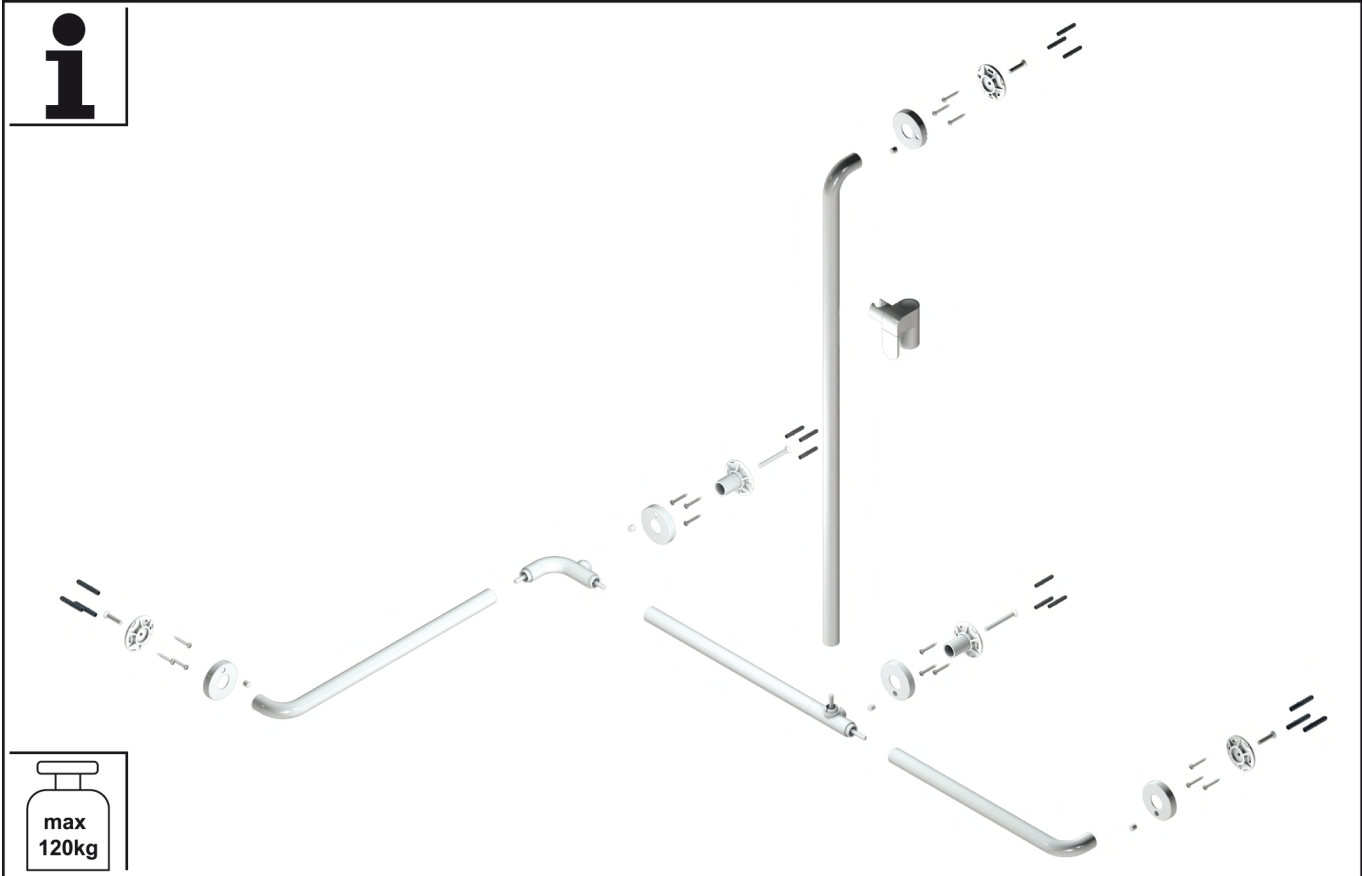


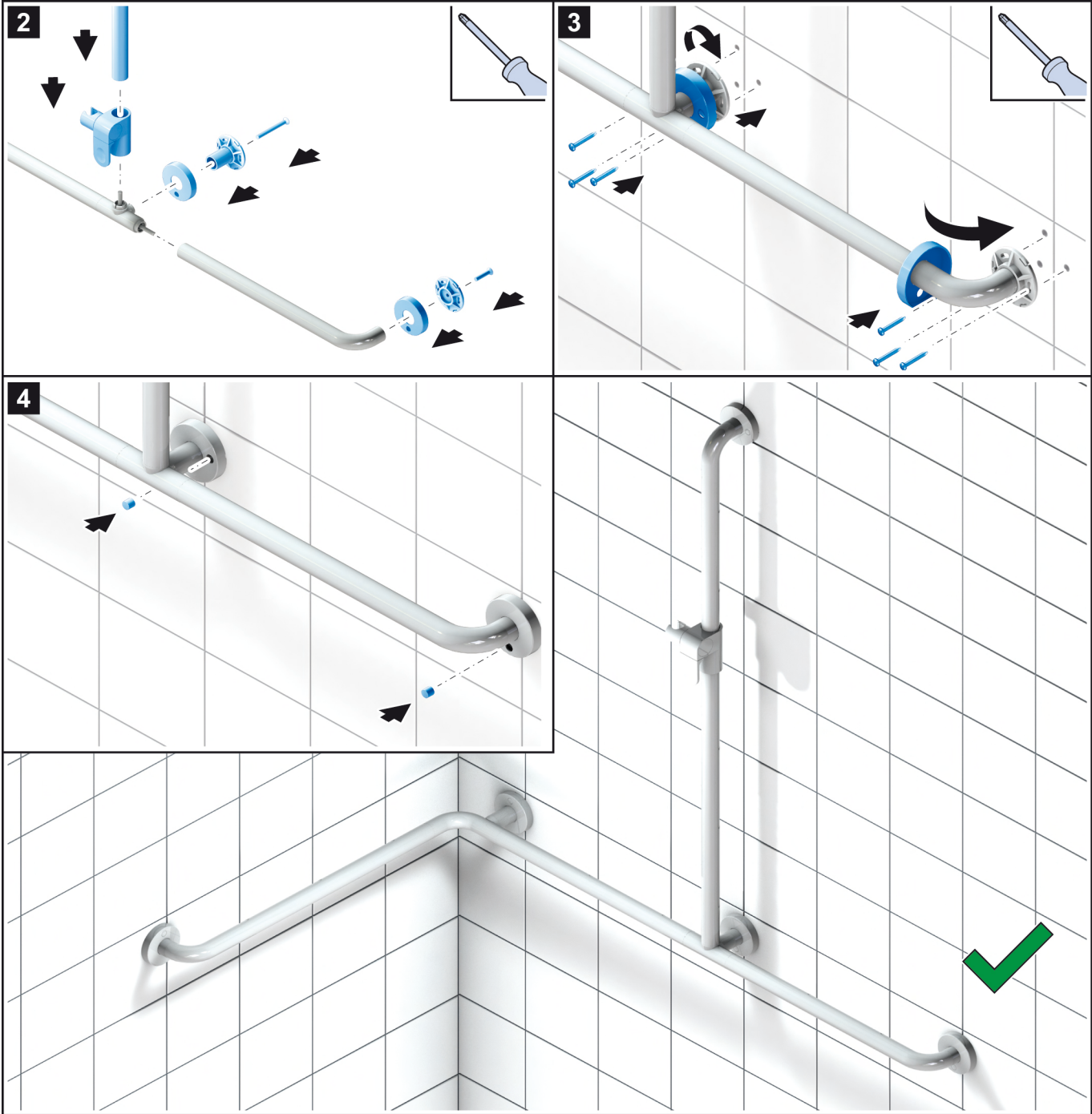


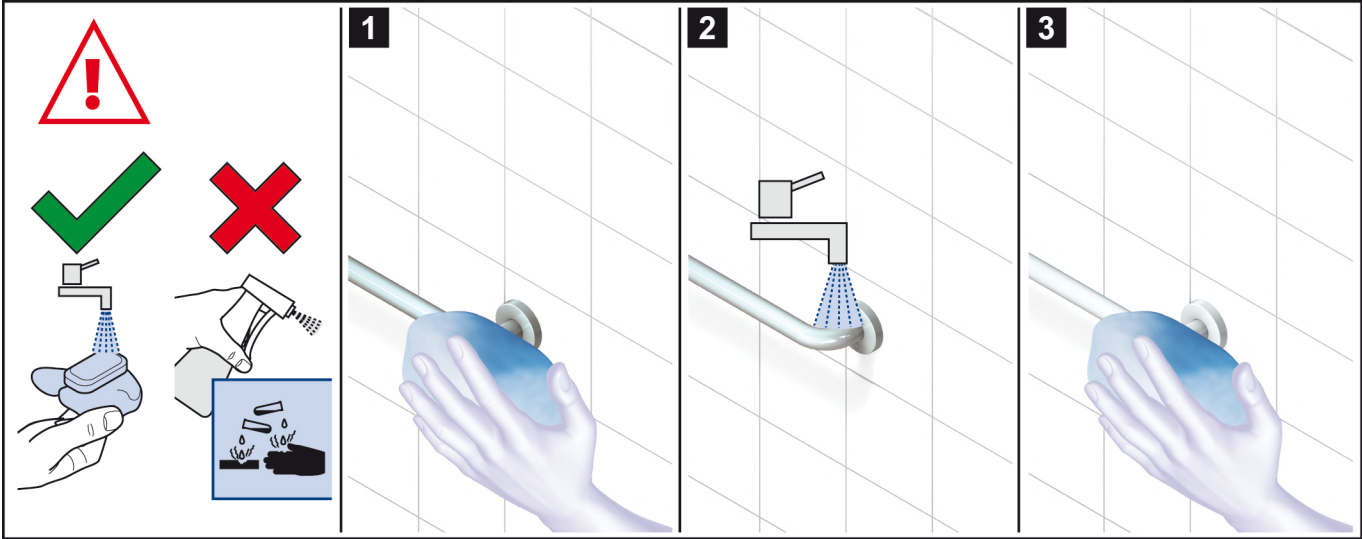


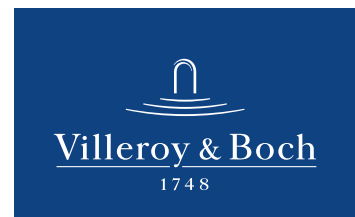












VILLEROY & BOCH

GERMANY

*Villeroy & Boch AG
Bathroom and Wellness Division
Headquarters
66693 Mettlach
Germany*

*Tel: +49 (0) 68 64 / 81 0
Fax: +49 (0) 68 64 / 81 1484*

921100T4 // GA034000FT00VB // 2019

Shades and dimensions subject to the usual tolerances. We reserve the right to make technical modifications to the range and alter colours.

VILLEROY-BOCH.COM