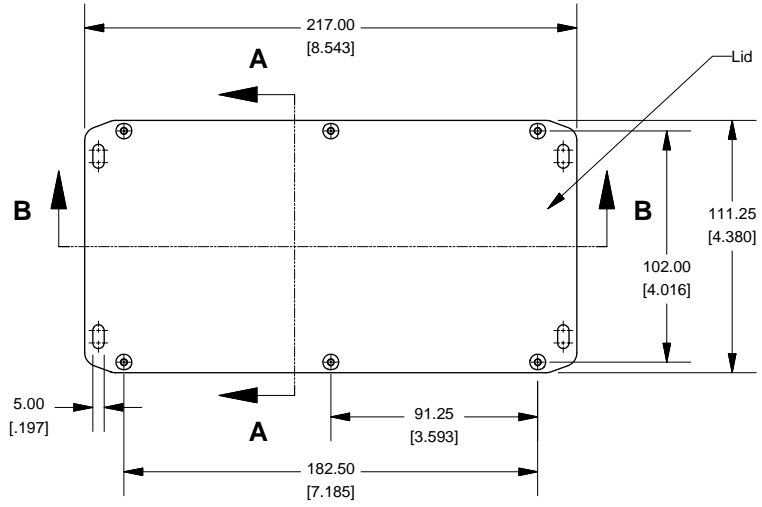
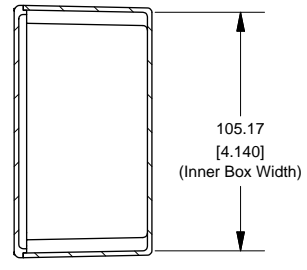


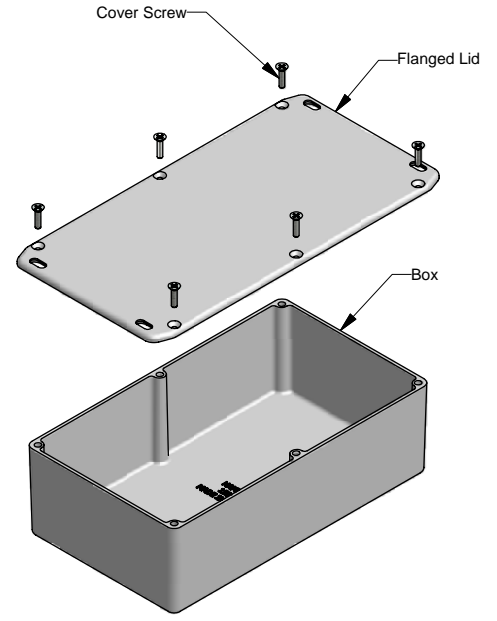
Top View of Assembly



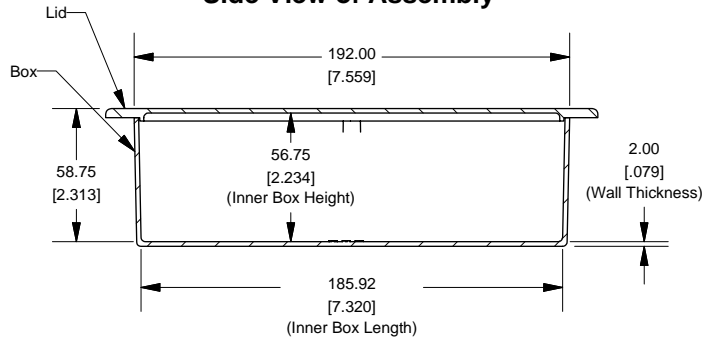
SECTION A-A End View of Assembly



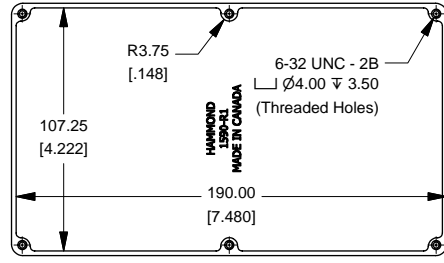
Series 1590R1FL (Flanged Lid)



SECTION B-B Side View of Assembly



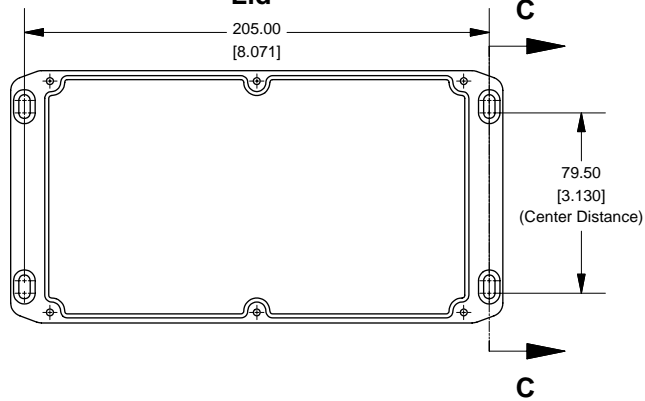
Top View Looking Inside Box



NOTE
Purchased assembly includes box, lid and 4 cover screws.
Box and lid are made from Diecast Aluminum Alloy (alloy type 360.1).

PART NUMBERS	
1590R1FL Enclosure	
Unfinished	1590R1FL
Black Textured Powder Paint	1590R1FLBK
1590R1FL Liquid Resistant Enclosure (Silicon Factory Installed Gasket)	
Unfinished	1590WR1FL
Black Textured Powder Paint	1590WR1FLBK
ACCESSORIES	
Unfinished	
Cover Screws (Pkg 100)	
[6-32 x 1/2" Nickel Plated Screws]	1590MS100
Black Textured Powder Paint	
Cover Screws (Pkg 50)	
[6-32 x 1/2" Stainless Steel Black Screws]	1590MS50BK

Lid



SECTION C-C Side View of Slot

