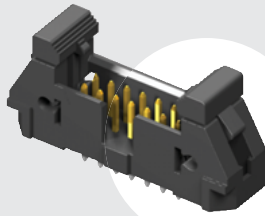
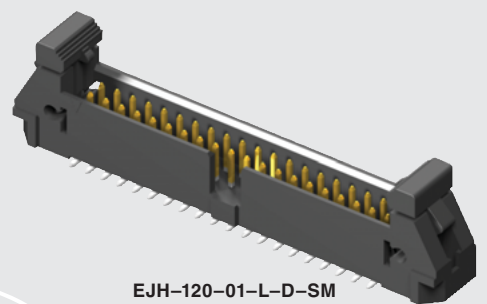


EJH-107-01-F-D-TH



EJH-120-01-L-D-SM



(2,54 mm) .100"

EJH SERIES

SHROUDED IDC EJECTOR HEADERS

SPECIFICATIONS

For complete specifications and recommended PCB layouts see www.samtec.com?EJH

Insulator Material:

- 01: Black LCP
- 02: Natural LCP

Terminal Material:

Phosphor Bronze

Plating:

Sn or Au over 50µ" (1,27 µm) Ni

Operating Temp Range:

-55°C to +125°C

RoHS Compliant:

Yes

Processing:

Lead-Free Solderable:

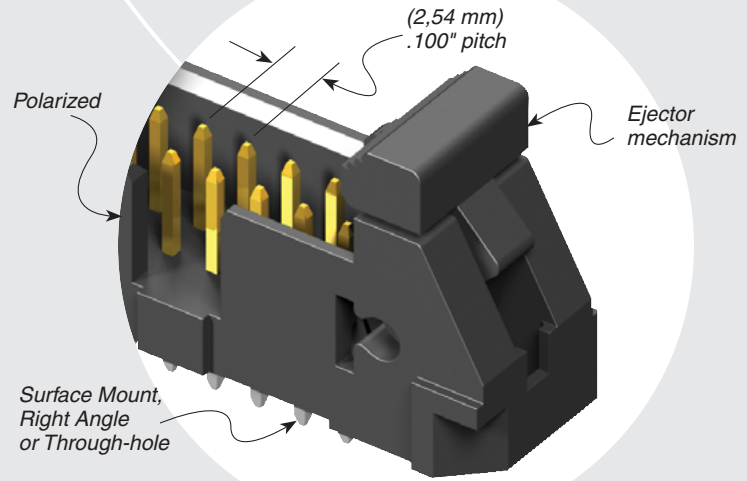
Yes

SMT Lead Coplanarity:

(0,10 mm) .004" max

Mates with:

- IDSD (EJH-01 Required),
- HCSO (EJH-02 Required)



RECOGNITIONS

For complete scope of recognitions see www.samtec.com/quality



05, 07, 08, 10, 13, 15, 17, 20, 25
(Standard sizes.)

-01 = Standard (Mates to IDSD)
-02 = Extended (Mates to HCSO)

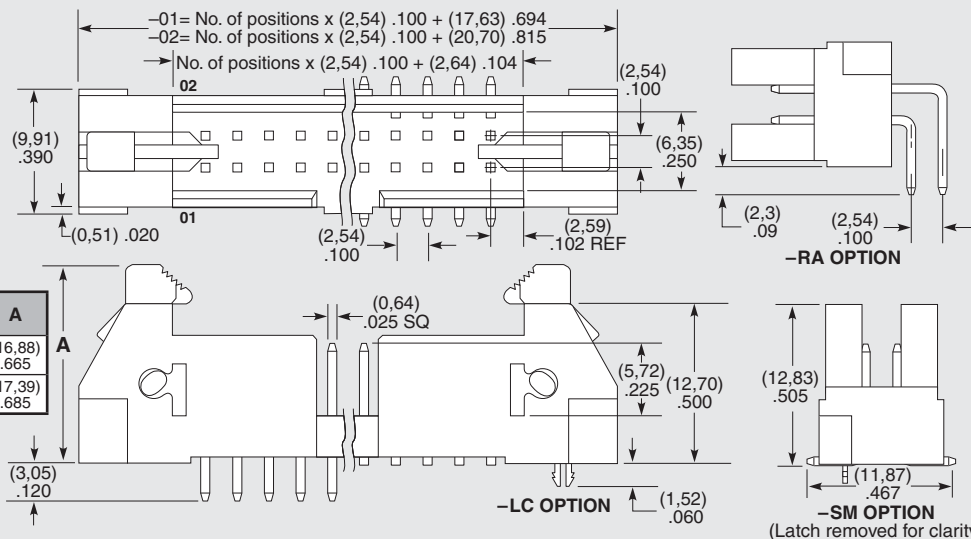
-F = Gold flash on post, Matte Tin on tail
-L = 10µ" (0,25 µm) Gold on post, Matte Tin on tail

-SM = Surface Mount
-TH = Through-hole
-RA = Right Angle

- "XX" = Polarized Position
-LC = Locking Clip (-SM only) (Manual placement required)
-K = .475" (12,00 mm) DIA Polyimide Film Pick & Place Pad (-SM only)
-P = Pick & Place Pad (-SM only)
-TR = Tape & Reel Packaging (-SM only) (25 position not available)

ALSO AVAILABLE (MOQ Required)

- Other sizes
 - Other platings
- Contact Samtec.



LEAD STYLE	A
-01	(16,88) .665
-02	(17,39) .685

Note: Some lengths, styles and options are non-standard, non-returnable.