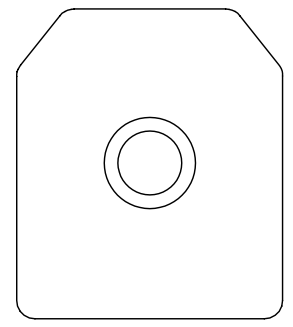
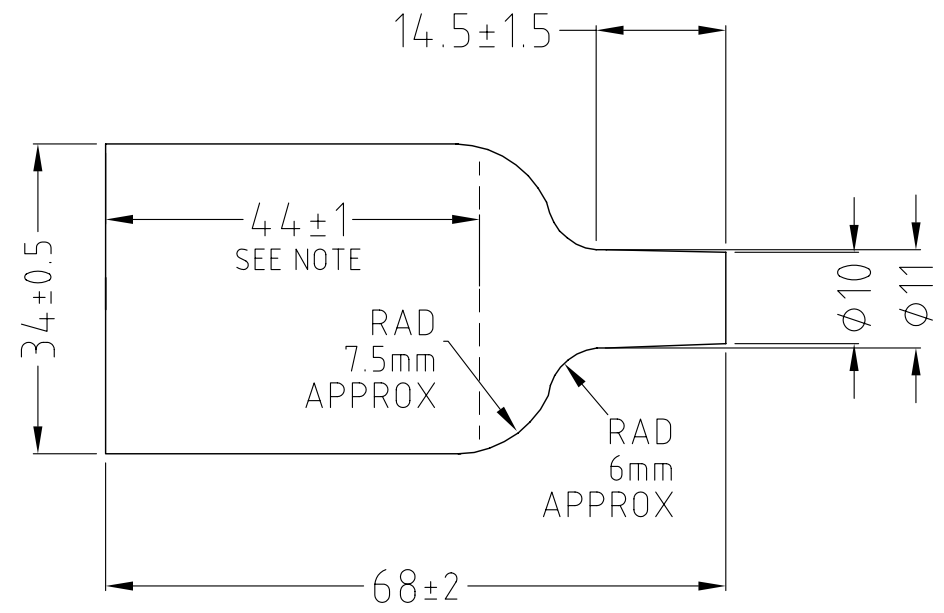
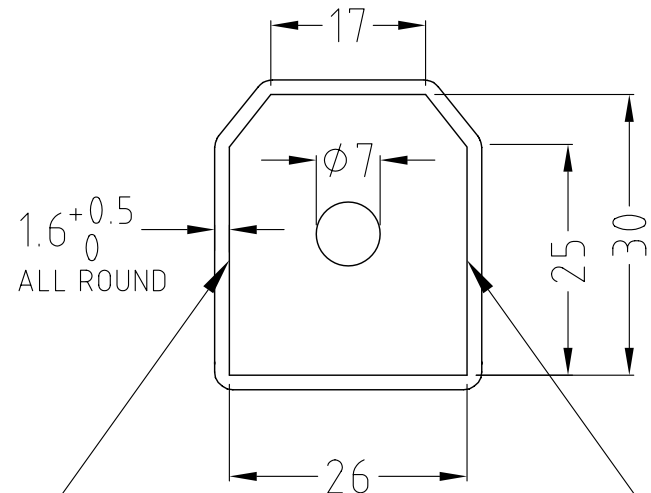


ISS.	AMEND	DATE
1	1st DRAWN	17/05/91
2	TOL WAS ±0.10	16/10/91
3	ISIR 0188	13/07/94
4	VIEWS AMEND	25/06/96
5	SHORE RATING	06/04/04
6	AMEND+UPDATED	28/07/10



44mm±1 DIMENSION MEASURED TO BOTTOM OF INSIDE FACE

RoHS
COMPLIANT

TOLERANCE
 NO DEC. PLACE ± 1
 1 DEC. PLACE ± 0.20
 2 DEC. PLACE ± 0.10
 HOLE Ø ± 0.10
 ANGLES ± 1/2°
 UNLESS OTHERWISE STATED

Cliff Electronic Components Ltd. 76 Holmethorpe Avenue, Holmethorpe Industrial Estate, Redhill, Surrey, RH1 2PF, England, UK Tel: 01737-771375 Fax: 01737-766012 Website: www.cliffuk.co.uk	DIMENSIONS IN MILLIMETERS UNLESS OTHERWISE STATED. WORK TO DIMENSIONS. REMOVE ALL BURRS. IF IN DOUBT ASK.		3rd ANGLE PROJECTION:		DO NOT SCALE
	MATERIAL: VINYL BLACK 60 SHORE FR (-20° TO +80°C)		TITLE: MS3 BOOT		FORM: A4DRWGH
FINISH: AS MOULDED		DRWG. No. CL19285			
DRAWN: C.A.M.J.		APPROVED: R.W.T.			