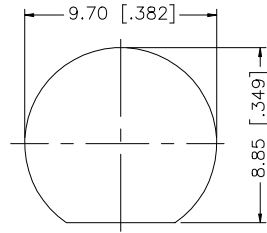
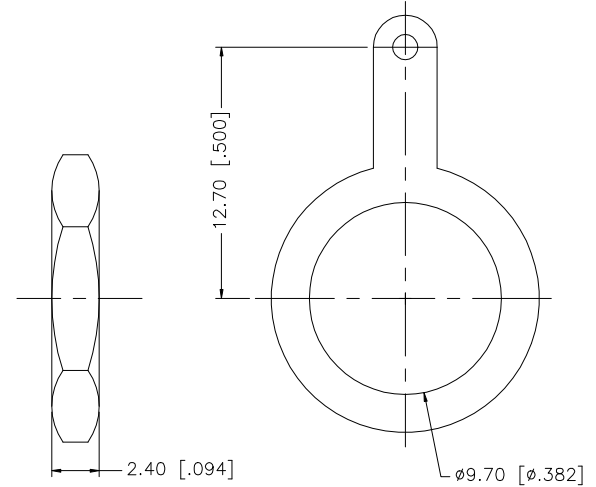
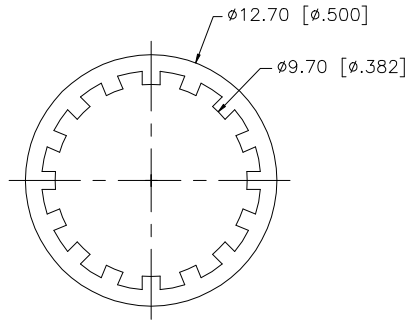
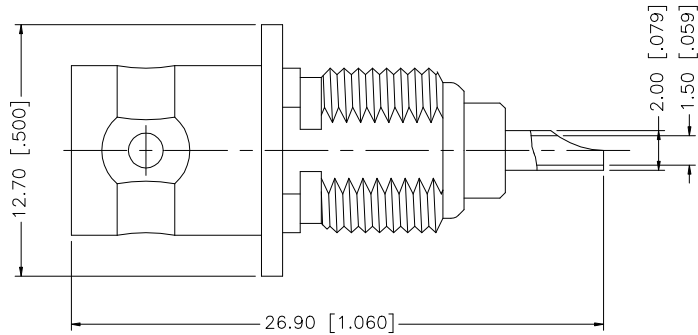


| REV. | DATE | DESCRIPTION |
|------|----------|-----------------------|
| A | 04/14/04 | UPDATE DRAWING FORMAT |



RECOMMENDED MOUNTING HOLE



| QTY | DESCRIPTION | MATERIAL | FINISH | QTY |
|-----|--------------|-------------|---------|-----|
| 8 | | | | |
| 7 | | | | |
| 6 | | | | |
| 5 | HEX NUT | BRASS | NICKEL | 1 |
| 4 | LOCK WASHER | BRASS | NICKEL | 1 |
| 3 | INSULATOR | TEFLON | NATURAL | 1 |
| 2 | CONTACT PIN | BER. COPPER | GOLD | 1 |
| 1 | HOUSING/BODY | DIECAST | NICKEL | 1 |
| | DESCRIPTION | MATERIAL | FINISH | QTY |

UNLESS OTHERWISE SPECIFIED DIMENSIONS ARE IN MILLIMETERS. DIMENSIONS IN [] ARE IN INCHES AND FOR CUSTOMER REFERENCE ONLY.

UNLESS OTHERWISE SPECIFIED TOLERANCES FOR MILLIMETERS ARE:
0.5 - 8mm ± 0.20mm
8 - 30mm ± 0.40mm
30 - 120mm ± 0.50mm

UNLESS OTHERWISE SPECIFIED TOLERANCES FOR INCHES ARE:
.020 - .315 = ± 0.007"
.315 - 1.180 = ± 0.015"
1.180 - 4.724 = ± 0.020"

DO NOT SCALE DRAWING

| APPROVALS | DATE |
|--------------|-------------------|
| DRAWN G.R.S. | 04/14/04 |
| CHECKED | |
| ISSUED | |
| SHEET 1 OF 1 | |
| CAD FILE | C:/112/112575.DWG |

Amphenol Connex

PART DESCRIPTION

BNC BULKHEAD RECEPTACLE JACK

PART NO.

112575

DWG. NO.

112575.DWG

REV. A

SIZE A

SCALE NA