

NOTES:

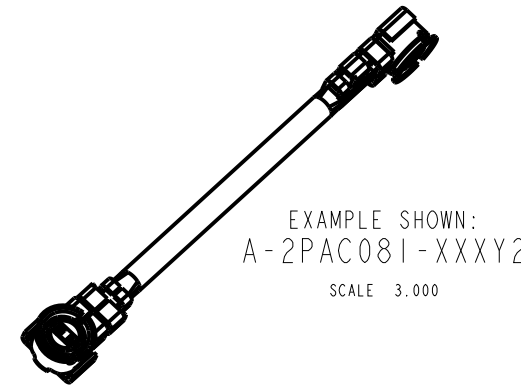
1. ELECTRICAL:
 - A. IMPEDANCE: 50Ω (NOMINAL)
 - B. FREQUENCY RANGE: DC-6.0 GHz
 - C. CONTACT RESISTANCE: CENTER: 20mΩ MAX.; MEASURED AT 10mA MAX. 25 mΩ MAX AFTER CYCLING
OUTSIDE: 10mΩ MAX. 15 mΩ MAX AFTER CYCLING
 - D. INSULATION RESISTANCE: 500MΩ MIN.; MEASURED AT 100 VDC.
 - E. D.W.V.: NO LINE OR INSULATION BREAKDOWN: 200 VAC FOR 1 MIN.
 - F. VSWR: 1.300 MAX. (DC TO 3.0 GHz), 1.400 MAX. (3.0-6.0 GHz)
 - G. TYPICAL INSERTION LOSS : [0.00384 x (L in mm) x √Freq. in GHz] + [0.087 x √Freq. in GHz]
2. PHYSICAL:
 - A. FEMALE CONTACT HOLDING FORCE: 0.15N MIN. : MEASURED WITH A Ø0.38mm PIN GAUGE.
 - B. DURABILITY: 20 CYCLES
 - C. TEMPERATURE RANGE: -40°C TO +90°C.
 - D. AMMC CONNECTOR DEMATING FORCE: 4N MIN. (INITIAL), 2N MIN. (AFTER CYCLING)
 - F. AMMC INTERFACE IS FULLY COMPATIBLE WITH "W.FL" SERIES PRODUCT.
3. MATERIALS AND FINISHES (in micrometers):

CONNECTOR BODY: PHOSPHOR BRONZE, SILVER PLATED (0.76u MIN.) OVER COPPER (1-2u)
 CONNECTOR CENTER CONTACT: PHOSPHOR BRONZE, GOLD PLATED (0.07u MIN.) OVER NICKEL (1.3-2.5u)
 CONNECTOR INSULATOR: HIGH TEMP PLASTIC UL 94V-0, BLACK
 CABLE JACKET: FEP
 CABLE DIELECTRIC: FEP
 CABLE CENTER CONDUCTOR: ANNEALED COPPER WIRE STRANDED, SILVER PLATED
 CABLE OUTER CONDUCTOR: ANNEALED COPPER WIRE BRAID, TIN PLATED
4. PACKAGING:
 - A. BAGS OF 100 PIECES

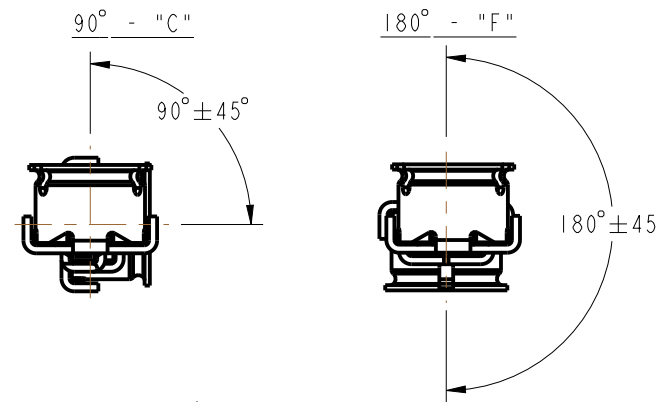
THIRD ANGLE PROJ.

REVISIONS

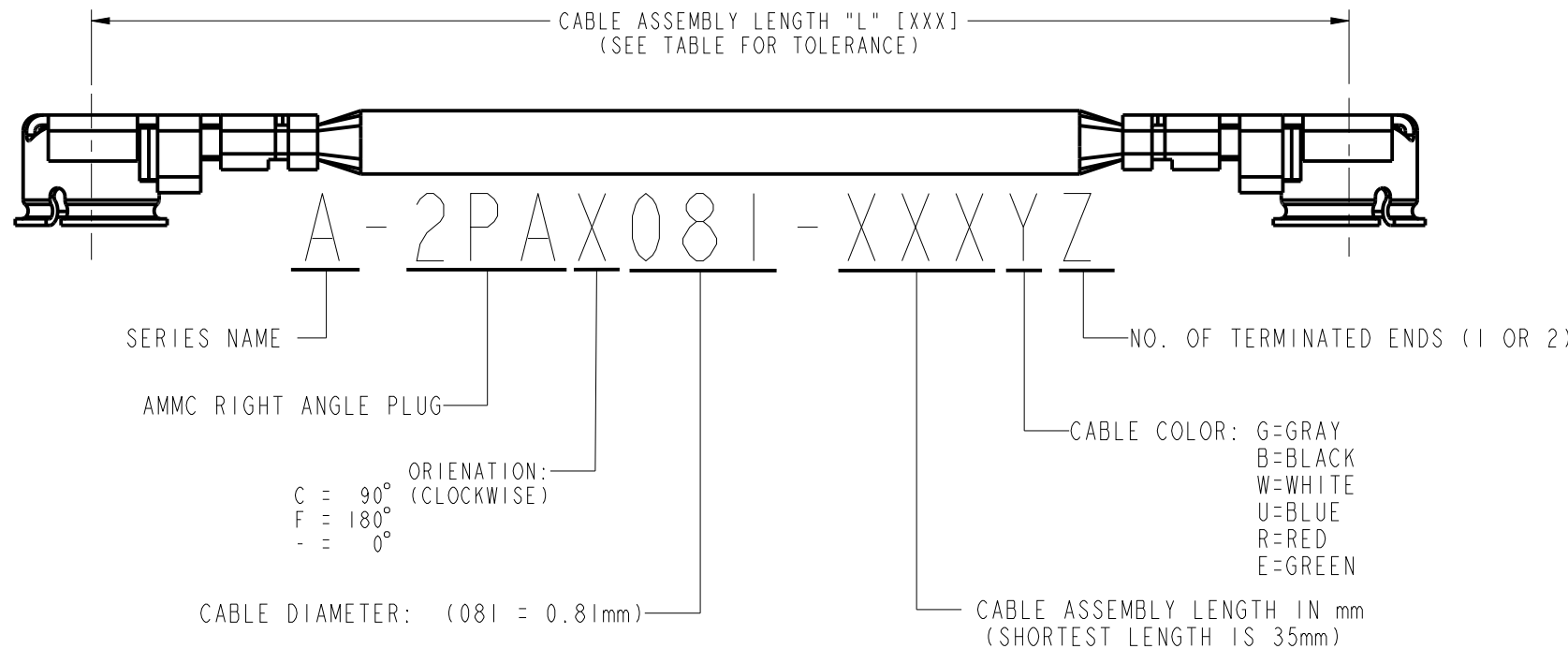
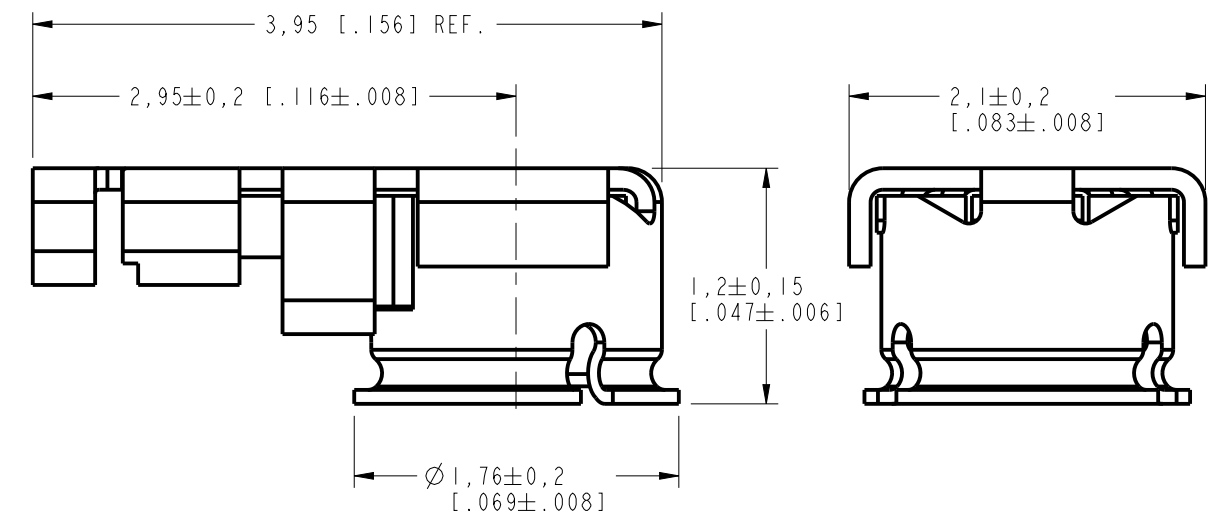
REV	DESCRIPTION	DATE	ECO	APPR
A	RELEASE TO MFG.	NR	49090	BCG
B	UPDATED FORMAT, TOLERANCES, AND NOTES	11/3/14	50218	BCG



CABLE ASSEMBLY TOLERANCE	
OVERALL LENGTH L (mm)	STANDARD TOLERANCE (mm)
35 < L < 200	± 4
201 < L < 500	± 8
501 < L < 1000	± 12
1001 < L	± 1.5 %



AMMC RIGHT ANGLE PLUG DETAILS



CUSTOMER OUTLINE DRAWING

ALL OTHER SHEETS ARE FOR INTERNAL USE ONLY

UNLESS OTHERWISE SPECIFIED, DIMENSIONS ARE IN METRIC AND TOLERANCES ARE:
 <0.5mm ± 0.05mm 0.5 - 6mm ± 0.1mm 6 - 30mm ± 0.2mm 30 - 120mm ± 0.3mm ANGLES ± 1°

NOTICE - These drawings, specifications, or other data (1) are, and remain the property of Amphenol corp. (2) must be returned upon request; and (3) are confidential and not to be disclosed to any person other than those to whom they are given by Amphenol Corp. the furnishing of these drawings, specifications, or other data by Amphenol Corp., or to any other person to anyone for any purpose is not to be regarded by implication or otherwise in any manner licensing, granting rights to permitting such holder or any other person to manufacture, use or sell any product, process or design, patented or otherwise, that may in any way be related to or disclosed by said drawings, specifications, or other data.

MATERIAL -	DRAWN D.DAVE	DATE 21-May-14	TITLE CABLE ASSY AMMC, PLUG		Amphenol RF www.amphenolrf.com	
REFERENCE EAR #6324 AND	ENGINEER D.DAVE	DATE 19-May-14				
CONFIGURATION LEVEL: In Work	APPROVED K. CAPOZZI	DATE 10/31/14	SCALE: 8.0:1.0	SHEET 2 OF 2	DRAWING NO. A-2PAX081-XXXXYZ	ITEM NO. A-2PAX081-XXXXYZ
FINISH	CAD FILE		DWG SIZE B	REV B	PART NO. A-2PAX081-XXXXYZ	